

HC-COM- 8-EBUC - Contact insert



1408494

<https://www.phoenixcontact.com/us/products/1408494>

Please be informed that the data shown in this PDF document is generated from our online catalog. Please find the complete data in the user documentation. Our general terms of use for downloads are valid.



Contact insert, number of positions: 8+PE, size: COM, power contacts: 8, control contacts: 0, number of connections per position: 1, Socket, Crimp connection, 500 V, 16 A, 0.5 mm² ... 4 mm², application: Power, Only suitable for plastic housings

Product description

Contact insert, incl. 4 mounting screws

Your advantages

- Shock and vibration-resistant in accordance with DIN EN 61373

Commercial data

Item number	1408494
Packing unit	2 pc
Minimum order quantity	2 pc
Sales key	BF61
Product key	AF7ABH
GTIN	4046356618205
Weight per piece (including packing)	16.4 g
Weight per piece (excluding packing)	16.35 g
Customs tariff number	85389099
Country of origin	CN

HC-COM- 8-EBUC - Contact insert



1408494

<https://www.phoenixcontact.com/us/products/1408494>

Technical data

Mounting

Assembly note	To ensure correct use, installation in housing with IP54 protection or better is required
---------------	---

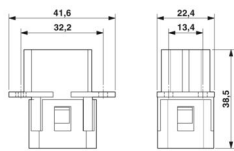
Product properties

Product type	Contact insert with a fixed no. of positions
Series	HC-COM
Application	Power
Type	COM
Number of positions	8
Connection profile	8+PE
Contact numbering	1 - 8
Number of connections per position	1
No. of power contacts	8
No. of control contacts	0
Contact material type	turned

Insulation characteristics

Overvoltage category	III
Degree of pollution	3

Dimensions

Dimensional drawing	
Width	22.4 mm
Height	38.5 mm
Length	41.6 mm

Mechanical characteristics

Contact diameter	2.5 mm
------------------	--------

Connection data

Connection technology

Connection technology	Crimp connection
Number of connections per position	1
Connection in acc. with standard	IEC / EN

Conductor connection

Conductor cross-section	0.5 mm ² ... 4 mm ²
-------------------------	---

HC-COM- 8-EBUC - Contact insert



1408494

<https://www.phoenixcontact.com/us/products/1408494>

Connection cross section AWG	20 ... 12
Stripping length of the individual wire	7.5 mm

Electrical properties

Rated voltage (III/3)	500 V
Rated voltage for power contacts	500
Rated surge voltage	6 kV
Rated current	16 A

Mechanical properties

Mechanical data

Insertion/withdrawal cycles	≥ 500
-----------------------------	-------

Material specifications

Flammability rating according to UL 94	V0
Contact material	Copper alloy
Contact surface material	Ag (alternatively Au)
Contact carrier material	PC

Environmental and real-life conditions

Ambient conditions

Ambient temperature (operation)	-40 °C ... 100 °C (including heating up of contacts)
---------------------------------	--

HC-COM- 8-EBUC - Contact insert

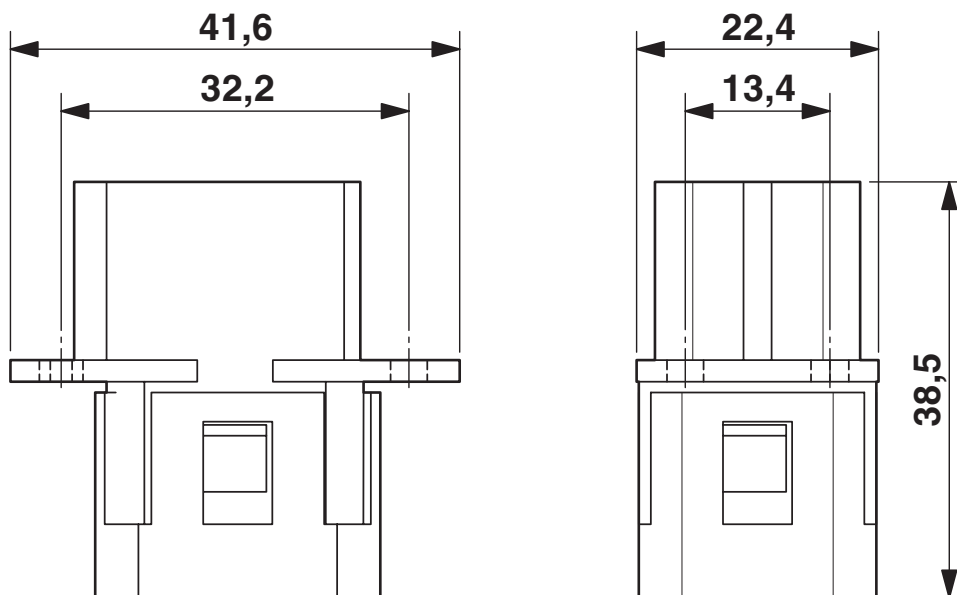


1408494

<https://www.phoenixcontact.com/us/products/1408494>

Drawings

Dimensional drawing



HC-COM-8-EBUC dimensional drawing

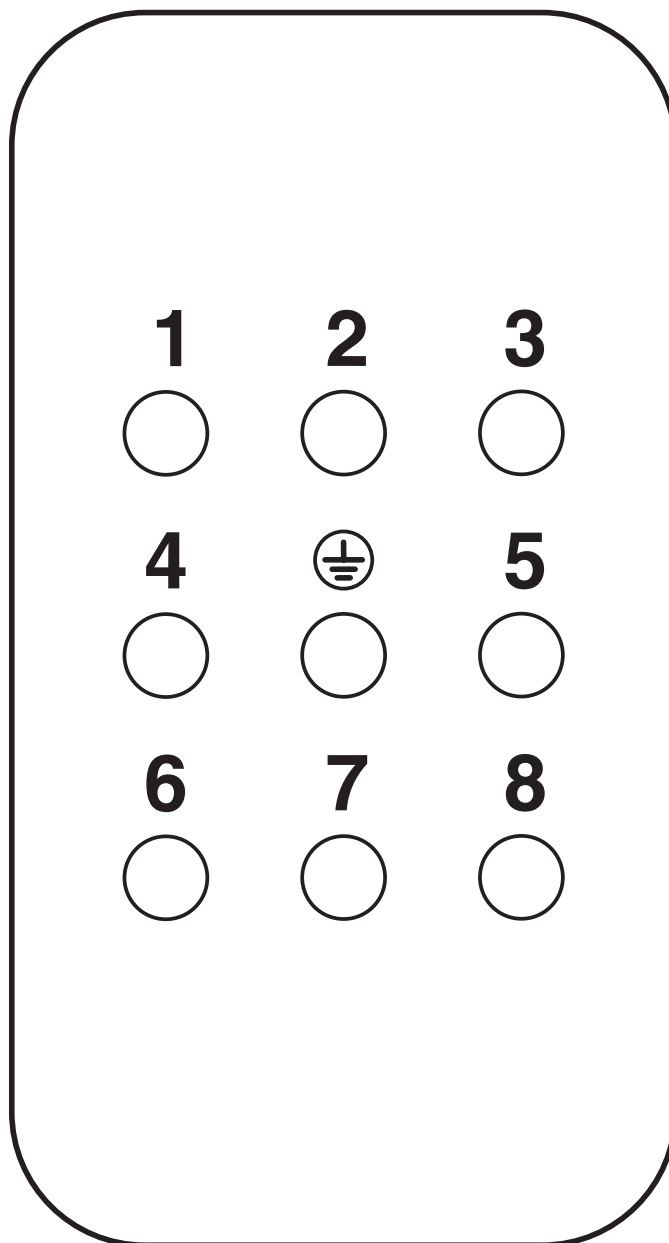
HC-COM- 8-EBUC - Contact insert

1408494

<https://www.phoenixcontact.com/us/products/1408494>



Schematic diagram



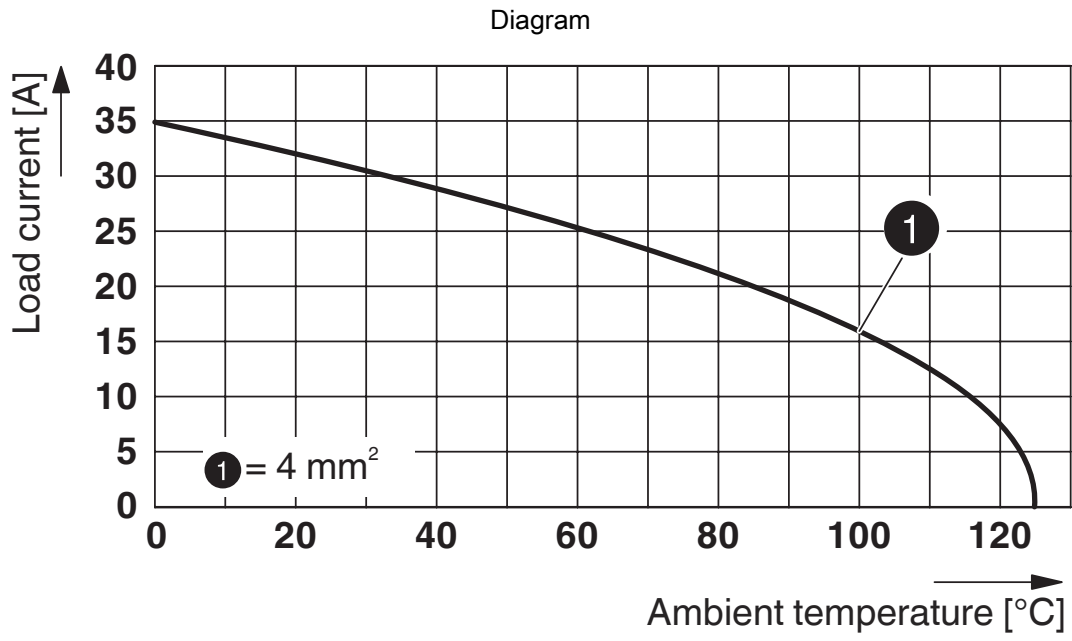
Connector pin assignment, connection side

HC-COM- 8-EBUC - Contact insert



1408494

<https://www.phoenixcontact.com/us/products/1408494>



Derating diagram for 4 mm²

HC-COM- 8-EBUC - Contact insert





1408494


<https://www.phoenixcontact.com/us/products/1408494>


Approvals

To download certificates, visit the product detail page: <https://www.phoenixcontact.com/us/products/1408494>

 CSA Approval ID: 260458				
	Nominal voltage U_N	Nominal current I_N	Cross section AWG	Cross section mm^2
keine				
	600 V	19 A	20 - 12	-

 cUL Recognized Approval ID: E118976				
	Nominal voltage U_N	Nominal current I_N	Cross section AWG	Cross section mm^2
keine				
	600 V	-	20 - 12	-

 UL Recognized Approval ID: E118976				
	Nominal voltage U_N	Nominal current I_N	Cross section AWG	Cross section mm^2
keine				
	600 V	-	20 - 12	-

 EAC Approval ID: RU C-DE.AI30.B.01102				
---	--	--	--	--

HC-COM- 8-EBUC - Contact insert



1408494

<https://www.phoenixcontact.com/us/products/1408494>

Classifications

ECLASS

ECLASS-13.0	27440205
ECLASS-15.0	27440205

ETIM

ETIM 9.0	EC000438
----------	----------

UNSPSC

UNSPSC 21.0	39121500
-------------	----------

HC-COM- 8-EBUC - Contact insert



1408494

<https://www.phoenixcontact.com/us/products/1408494>

Environmental product compliance

EU RoHS

Fulfills EU RoHS substance requirements	Yes, No exemptions
---	--------------------

China RoHS

Environment friendly use period (EFUP)	EFUP-E
	No hazardous substances above the limits

EU REACH SVHC

REACH candidate substance (CAS No.)	No substance above 0.1 wt%
-------------------------------------	----------------------------

Phoenix Contact 2026 © - all rights reserved
<https://www.phoenixcontact.com>

Phoenix Contact USA
586 Fulling Mill Road
Middletown, PA 17057, United States
(+717) 944-1300
info@phoenixcon.com