

# HC-COM-K-TFL-O1PG16-G - Housing



1408342

<https://www.phoenixcontact.com/us/products/1408342>

Please be informed that the data shown in this PDF document is generated from our online catalog. Please find the complete data in the user documentation. Our general terms of use for downloads are valid.



Sleeve housing for single locking engagement nose, straight cable outlet, for HC-COM-K-KV-PG16 screw connections...

## Commercial data

Item number	1408342
Packing unit	1 pc
Note	Made to order (non-returnable)
Sales key	BF59
Product key	AF7AAH
GTIN	4046356618083
Weight per piece (including packing)	27.4 g
Weight per piece (excluding packing)	27 g
Customs tariff number	85389099
Country of origin	CN

# HC-COM-K-TFL-O1PG16-G - Housing

1408342

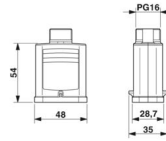
<https://www.phoenixcontact.com/us/products/1408342>

## Technical data

### Product properties

Product type	Housing with locking latch
Housing type	Sleeve housing
Product family	HC-COM
Application	Standard
Type	COM
No. of cable outlets	1
Type of the screw connection	1x Pg16
Cable outlet	straight
Pg screw connection	none

### Dimensions

Dimensional drawing	
Width	46 mm
Height	54 mm
Length	29 mm

### Material specifications

Flammability rating according to UL 94	V0
Housing material	PC

### Mechanical properties

#### Mechanical data

Type of the screw connection	1x Pg16
Locking type	Pin

### Environmental and real-life conditions

#### Ambient conditions

Degree of protection	IP65
	IP66
Ambient temperature (operation)	-40 °C ... 125 °C

# HC-COM-K-TFL-O1PG16-G - Housing

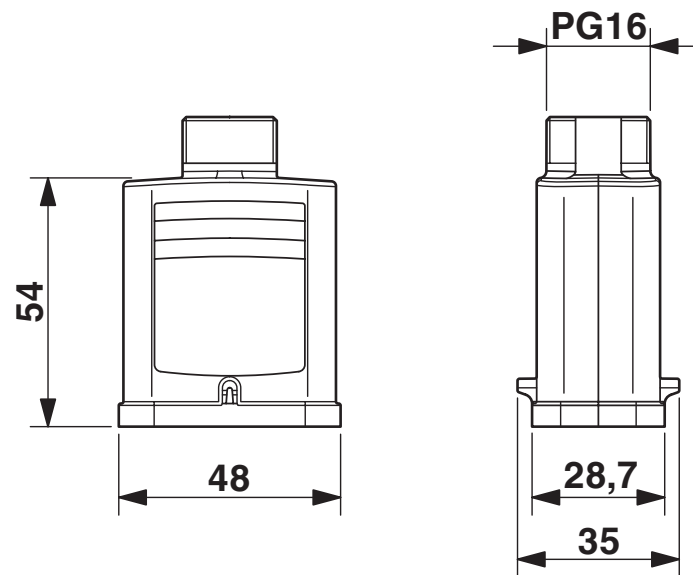
1408342

<https://www.phoenixcontact.com/us/products/1408342>



## Drawings

Dimensional drawing



Dimensional drawing

# HC-COM-K-TFL-O1PG16-G - Housing



1408342

<https://www.phoenixcontact.com/us/products/1408342>

## Classifications

### ECLASS

ECLASS-13.0	27440202
ECLASS-15.0	27440202

### UNSPSC

UNSPSC 21.0	31261500
-------------	----------

1408342

<https://www.phoenixcontact.com/us/products/1408342>

## Environmental product compliance

### EU RoHS

Fulfills EU RoHS substance requirements	Yes, No exemptions
---	--------------------

### China RoHS

Environment friendly use period (EFUP)	EFUP-E
	No hazardous substances above the limits

### EU REACH SVHC

REACH candidate substance (CAS No.)	No substance above 0.1 wt%
-------------------------------------	----------------------------

Phoenix Contact 2026 © - all rights reserved  
<https://www.phoenixcontact.com>

Phoenix Contact USA  
586 Fulling Mill Road  
Middletown, PA 17057, United States  
(+717) 944-1300  
[info@phoenixcon.com](mailto:info@phoenixcon.com)