

SAC-5PY-FS/0,6-500/FS-MS VP - Y distributor



1408232

<https://www.phoenixcontact.com/us/products/1408232>

Please be informed that the data shown in this PDF document is generated from our online catalog. Please find the complete data in the user documentation. Our general terms of use for downloads are valid.



Y distributor, 5-position, PVC, gray RAL 7001, Socket straight M12 SPEEDCON, coding: A, on Socket straight M12 SPEEDCON, coding: A and Plug angled M12 SPEEDCON, coding: A, cable length: 0.6 m, Y-distributor with S0 cable outlet

Commercial data

Item number	1408232
Packing unit	1 pc
Minimum order quantity	100 pc
Product key	AF1GAD
GTIN	4046356796866
Weight per piece (including packing)	68 g
Weight per piece (excluding packing)	22 g
Country of origin	PL

Technical data

Product properties

Product type	Distributor with cable
Number of positions	5
No. of cable outlets	2
Coding	A

Insulation characteristics

Overvoltage category	II
Degree of pollution	3

Material specifications

Flammability rating according to UL 94	HB
Seal material	NBR
Material of grip body	TPU, hardly inflammable, self-extinguishing
Contact material	CuZn
Contact surface material	Ni/Au
Contact carrier material	TPU GF
Material for screw connection	Zinc die-cast, nickel-plated

Electrical properties

Insulation resistance	$\geq 100 \text{ M}\Omega$
Nominal voltage U_N	60 V
Nominal current I_N	4 A

Mechanical properties

Mechanical data

Insertion/withdrawal cycles	≥ 100
-----------------------------	------------

Signaling

Status display	no
Status display present	no

Connector

Connection 1

Type	Socket straight M12 SPEEDCON
Locking type	SPEEDCON
Coding type	A

Connection 2

Type	Socket straight M12 SPEEDCON
Locking type	SPEEDCON
Coding type	A

SAC-5PY-FS/0,6-500/FS-MS VP - Y distributor



1408232

<https://www.phoenixcontact.com/us/products/1408232>

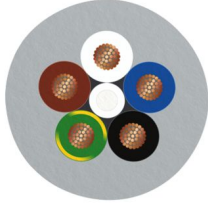
Connection 3

Type	Plug angled M12 SPEEDCON
Locking type	SPEEDCON
Coding type	A

Cable/line

Cable length	0.6 m
--------------	-------

PVC gray [500]

Dimensional drawing	
Cable weight	51 kg/km
UL AWM Style	2464 / 1729 (80°C/300 V)
Number of positions	5
Shielded	no
Cable type	PVC gray [500]
Conductor structure signal line	19x 0.15 mm
AWG signal line	22
Conductor cross-section	5x 0.34 mm ² (Signal line)
Wire diameter incl. insulation	1.26 mm ±0.05 mm
External cable diameter	5.00 mm ±0.15 mm
Outer sheath, material	PVC
External sheath, color	gray RAL 7001
Conductor material	Bare Cu litz wires
Material wire insulation	PVC
Single wire, color	brown, white, blue, black, green-yellow
Thickness, insulation	≥ 0.23 mm (Core insulation)
Thickness, outer sheath	≥ 0.76 mm
Overall twist	5 wires around filler to the core
Max. conductor resistance	max. 57 Ω/km (at 20 °C)
Insulation resistance	≥ 200 MΩ*km (at 20 °C)
Nominal voltage, cable	≤ 300 V
Test voltage	≥ 3000 V
Minimum bending radius, fixed installation	5 x D
Minimum bending radius, flexible installation	10 x D
Smallest bending radius, fixed installation	25 mm
Smallest bending radius, movable installation	50 mm
Flame resistance	As per UL-Style 2464

SAC-5PY-FS/0,6-500/FS-MS VP - Y distributor



1408232

<https://www.phoenixcontact.com/us/products/1408232>

Ambient temperature (operation)	-40 °C ... 80 °C (cable, fixed installation)
	-25 °C ... 80 °C (Cable, flexible installation)

Environmental and real-life conditions

Ambient conditions

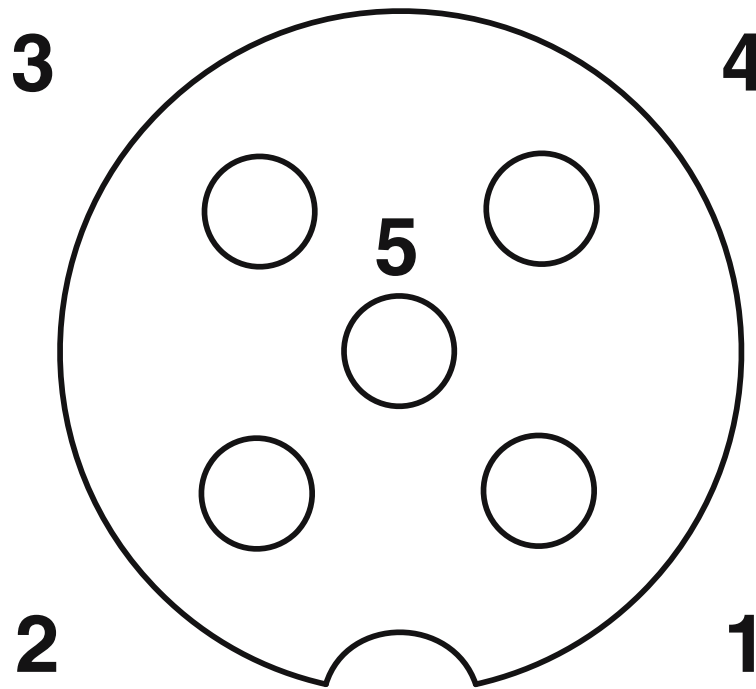
Degree of protection	IP65
	IP67
Ambient temperature (operation)	-25 °C ... 90 °C

Standards and regulations

Standard designation	M12 connector
----------------------	---------------

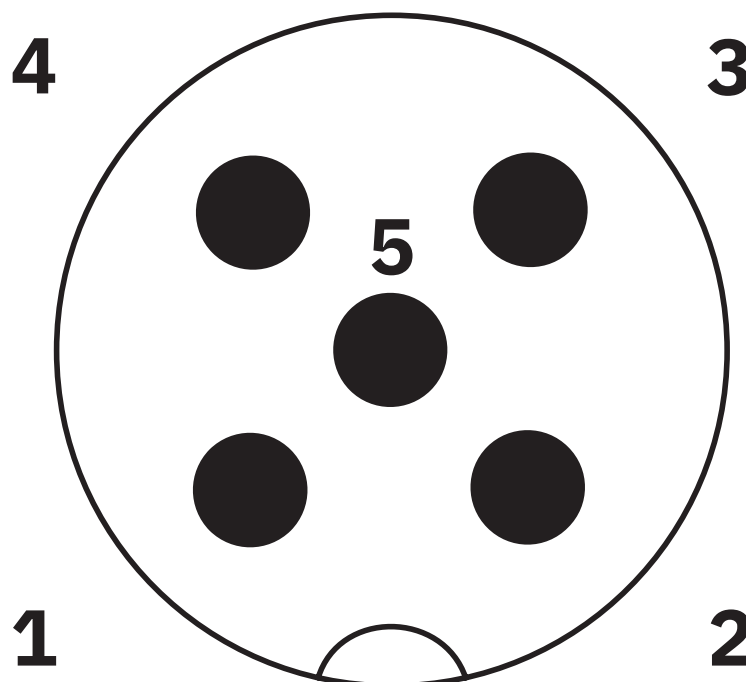
Drawings

Schematic diagram



Pin assignment of M12 socket, 5-pos.

Schematic diagram

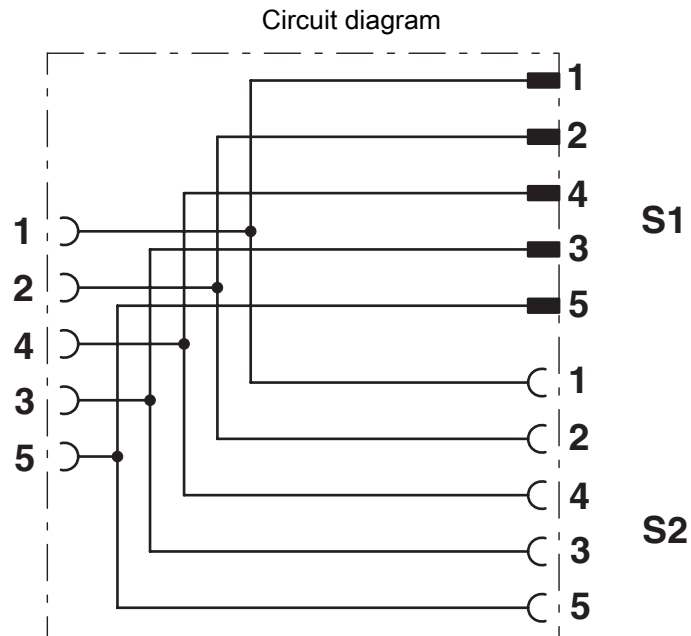


Pin assignment M12 male connector, 5-pos.

SAC-5PY-FS/0,6-500/FS-MS VP - Y distributor

1408232

<https://www.phoenixcontact.com/us/products/1408232>



Contact assignment of the M12 Y distributor

SAC-5PY-FS/0,6-500/FS-MS VP - Y distributor



1408232

<https://www.phoenixcontact.com/us/products/1408232>

Classifications

ECLASS

ECLASS-13.0	27060313
ECLASS-15.0	27060313

Phoenix Contact 2026 © - all rights reserved

<https://www.phoenixcontact.com>

Phoenix Contact USA
586 Fulling Mill Road
Middletown, PA 17057, United States
(+717) 944-1300
info@phoenixcon.com