

HC-EVO-B06PT-BWSC-HL-M20-PLRBK - Connector set



1407710

<https://www.phoenixcontact.com/us/products/1407710>

Please be informed that the data shown in this PDF document is generated from our online catalog. Please find the complete data in the user documentation. Our general terms of use for downloads are valid.



EVO connector set, B6 series, plastic housing, consisting of: 1407727, 1407728, 1407622, 1407619, 1407669, plastic housing

Your advantages

- Lower costs than metal version
- Labeling option using 9 x 20 mm marking label
- Low weight
- Lower risk of condensation

Commercial data

Item number	1407710
Packing unit	1 pc
Minimum order quantity	1 pc
Sales key	BF63
Product key	AF7AFX
GTIN	4046356777759
Weight per piece (including packing)	315.8 g
Weight per piece (excluding packing)	315.1 g
Customs tariff number	85366990
Country of origin	CN

HC-EVO-B06PT-BWSC-HL-M20-PLRBK - Connector set



1407710

<https://www.phoenixcontact.com/us/products/1407710>

Set consists of

HC-B06-I-PT-F - Contact insert

1407727

<https://www.phoenixcontact.com/us/products/1407727>



Contact insert, number of positions: 6+PE, size: B6, number of connections per position: 1, Socket, Push-in connection, 500 V, 16 A, 0.14 mm² ... 2.5 mm², application: Power

HC-B06-I-PT-M - Contact insert

1407728

<https://www.phoenixcontact.com/us/products/1407728>



Contact insert, number of positions: 6+PE, size: B6, number of connections per position: 1, Pin, Push-in connection, 500 V, 16 A, 0.14 mm² ... 2.5 mm², application: Power

HC-EVO-B06PT-BWSC-HL-M20-PLRBK - Connector set



1407710

<https://www.phoenixcontact.com/us/products/1407710>

HC-EVO-B06-BWSC-PLRBK - Housing

1407622

<https://www.phoenixcontact.com/us/products/1407622>



Panel mounting base B6, with single locking latch, material: PA 6.6-FR, protective cover material: PC, height: 30.5 mm, cable gland: none, protective cover: yes, Standard, with flat gasket

HC-EVO-B06-HLFS-PLBK - Housing

1407619

<https://www.phoenixcontact.com/us/products/1407619>



HEAVYCON EVO sleeve housing, plastic, with bayonet flange for EVO screw connection, B6, for single locking latch, height: 60.5 mm, without EVO screw connection

HC-EVO-B06PT-BWSC-HL-M20-PLRBK - Connector set



1407710

<https://www.phoenixcontact.com/us/products/1407710>

HC-B-G-M20-PLRBK - Cable gland

1407669

<https://www.phoenixcontact.com/us/products/1407669>



EVO plastic cable gland with bayonet locking, for housing series B, size M20, cable diameter: 7 mm ... 13 mm

HC-EVO-B06PT-BWSC-HL-M20-PLRBK - Connector set



1407710

<https://www.phoenixcontact.com/us/products/1407710>

Technical data

Product properties

Product type	Connector set
Housing type	Complete housing
Series	HC-B
Type	B6
Number of positions	6
Connection profile	6+PE
Contact numbering	1 - 6
No. of cable outlets	1
Type of the screw connection	1x M20
Protective cover	yes
Cable outlet	straight
Pg screw connection	none

Insulation characteristics

Overvoltage category	III
Degree of pollution	3

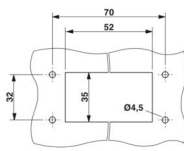
Electrical properties

Rated voltage (III/3)	500 V
Rated surge voltage	6 kV
Rated current	16 A
Nominal voltage U_N	500 V
Nominal current I_N	16 A

Connection data

Connection method	Push-in connection
Connection technology	Push-in connection
Conductor cross-section	0.14 mm ² ... 2.5 mm ² (with ferrule) 0.14 mm ² ... 2.5 mm ² (with ferrule)
Connection cross section AWG	26 ... 14 (with ferrule)
Tightening torque	0.5 Nm ... 1.7 Nm (Fixing screws for panel mounting base)

Dimensions

Dimensional drawing	
Width	53 mm
Height	103 mm
Length	80.5 mm

HC-EVO-B06PT-BWSC-HL-M20-PLRBK - Connector set



1407710

<https://www.phoenixcontact.com/us/products/1407710>

Drill hole distance, horizontal	70 mm
Drill hole distance, vertical	32 mm

Installation dimensions

Width of the assembly cutout	35 mm
Length of the assembly cutout	52 mm

Mechanical characteristics

Contact diameter	2.5 mm
------------------	--------

Material specifications

Material Protective cover	PA
Flammability rating according to UL 94	V0
Seal material Profile gasket	NBR
Seal material Flat gasket	NBR
Housing material	PA
Contact material	Copper alloy
Contact surface material	Ag
Contact carrier material	PC
Locking latch material	PA

Cable/line

External cable diameter	7 mm ... 13 mm
-------------------------	----------------

Mechanical properties

Mechanical data

Type of the screw connection	1x M20
Locking type	Latch
Insertion/withdrawal cycles	≥ 500

Environmental and real-life conditions

Ambient conditions

Degree of protection	IP66
Enclosure rating (NEMA)	12 (UL 50e)
Impact strength	IK09
Ambient temperature (operation)	-40 °C ... 100 °C

Mounting

Assembly note	Connectors may only be operated when there is no load/the power is switched off. Can be used for solid wires and stranded wires with ferrule.
---------------	---

HC-EVO-B06PT-BWSC-HL-M20-PLRBK - Connector set

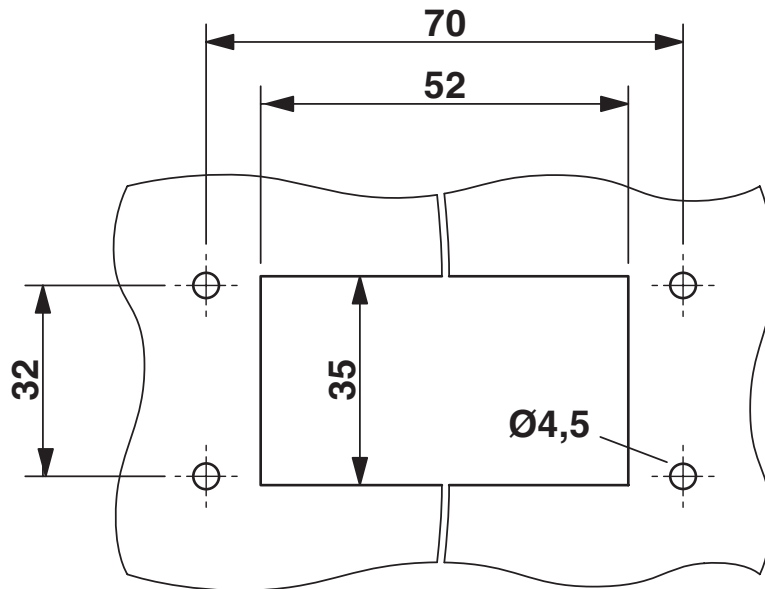


1407710

<https://www.phoenixcontact.com/us/products/1407710>

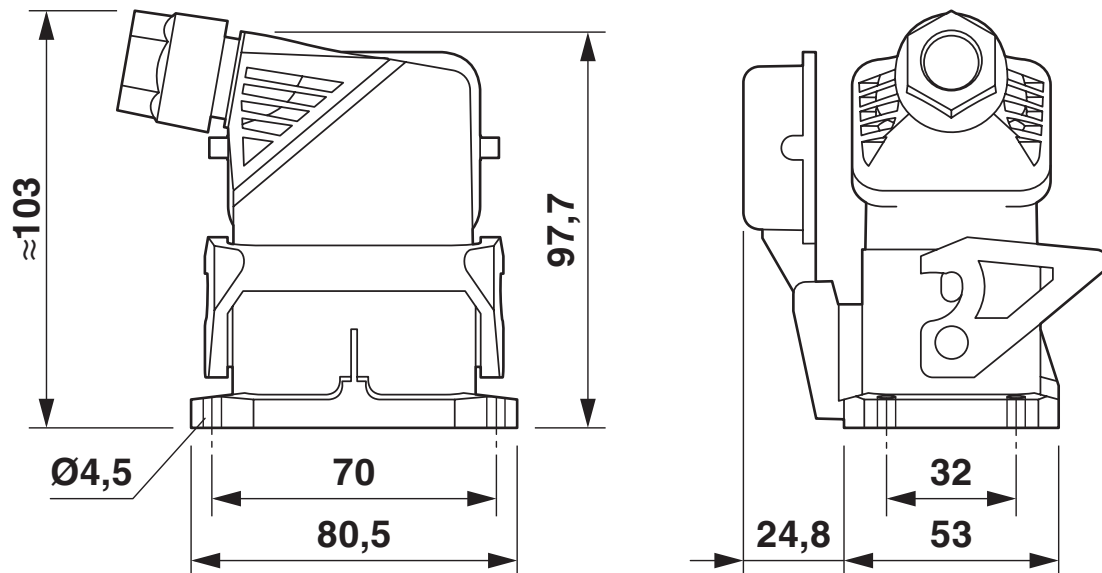
Drawings

Dimensional drawing



Mounting cutout

Dimensional drawing



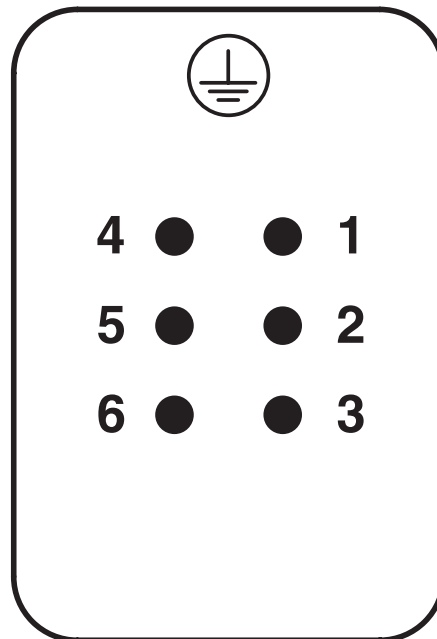
Dimensional drawing

HC-EVO-B06PT-BWSC-HL-M20-PLRBK - Connector set

1407710

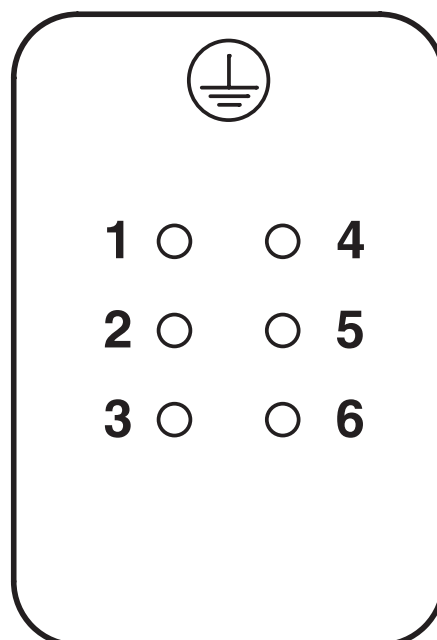
<https://www.phoenixcontact.com/us/products/1407710>

Schematic diagram



Pin assignment, connection side, pin

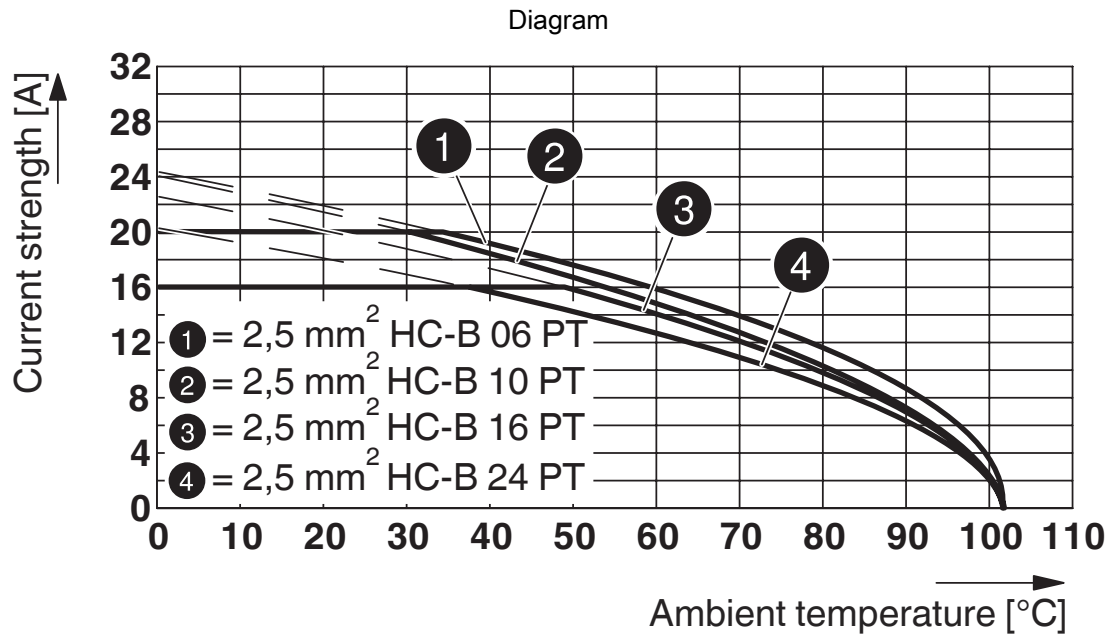
Schematic diagram



Pin assignment, connection side, socket

1407710

<https://www.phoenixcontact.com/us/products/1407710>



Derating diagram

HC-EVO-B06PT-BWSC-HL-M20-PLRBK - Connector set



1407710

<https://www.phoenixcontact.com/us/products/1407710>

Approvals

🔗 To download certificates, visit the product detail page: <https://www.phoenixcontact.com/us/products/1407710>

DNV

Approval ID: TAE000037S



EAC

Approval ID: RU C-DE.AI30.B.01102

HC-EVO-B06PT-BWSC-HL-M20-PLRBK - Connector set



1407710

<https://www.phoenixcontact.com/us/products/1407710>

Classifications

ECLASS

ECLASS-13.0	27440113
ECLASS-15.0	27440113

ETIM

ETIM 10.0	EC002636
-----------	----------

UNSPSC

UNSPSC 21.0	39121400
-------------	----------

HC-EVO-B06PT-BWSC-HL-M20-PLRBK - Connector set



1407710

<https://www.phoenixcontact.com/us/products/1407710>

Environmental product compliance

EU RoHS

Fulfills EU RoHS substance requirements	Yes, No exemptions
---	--------------------

China RoHS

Environment friendly use period (EFUP)	EFUP-E
	No hazardous substances above the limits

EU REACH SVHC

REACH candidate substance (CAS No.)	No substance above 0.1 wt%
-------------------------------------	----------------------------

Phoenix Contact 2026 © - all rights reserved
<https://www.phoenixcontact.com>

Phoenix Contact USA
586 Fulling Mill Road
Middletown, PA 17057, United States
(+717) 944-1300
info@phoenixcon.com