

HC-EVO-B24-CHWS-PLRBK - Housing



1407667

<https://www.phoenixcontact.com/us/products/1407667>

Please be informed that the data shown in this PDF document is generated from our online catalog. Please find the complete data in the user documentation. Our general terms of use for downloads are valid.



Coupling housings B24, with single locking latch, material: PA 6.6-FR, cable outlets: 1, straight/lateral, height: 90 mm, cable gland: none, Standard

Your advantages

- Flexible cable outlet direction, lateral or straight
- Lower costs than metal version
- Low weight
- Lower risk of condensation

Commercial data

Item number	1407667
Packing unit	1 pc
Minimum order quantity	1 pc
Sales key	BF57
Product key	AF7APL
GTIN	4046356777308
Weight per piece (including packing)	167.3 g
Weight per piece (excluding packing)	165.2 g
Customs tariff number	85389099
Country of origin	PL

HC-EVO-B24-CHWS-PLRBK - Housing



1407667

<https://www.phoenixcontact.com/us/products/1407667>

Technical data

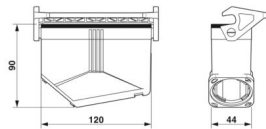
Notes

Notes on the product family	For contact inserts HC-B24, BB46, D64, DD108, M, K, HV10-I-PT, HV 10-E...C
Note on application	compatible with module carrier frames with click-in function

Product properties

Product type	Housing with locking latch
Housing type	Coupling housings
Product family	HC-EVO-B
Application	Standard
Type	B24
No. of cable outlets	1
Cable outlet	straight
Pg screw connection	none

Dimensions

Dimensional drawing	
Width	44 mm
Height	90 mm
Length	120 mm

Material specifications

Flammability rating according to UL 94	V0 (Housing)
	V0 (Interlock)
Seal material	NBR
Housing material	PA 6.6-FR
Locking latch material	PA

Mechanical properties

Mechanical data

Locking type	Latch
--------------	-------

Mounting

Assembly note	The coupling housing must be supplemented with the EVO screw connection. The EVO screw connection is available in four sizes. The EVO screw connection is mounted with the aid of a pipe wrench, for example.
---------------	---

HC-EVO-B24-CHWS-PLRBK - Housing



1407667

<https://www.phoenixcontact.com/us/products/1407667>

Environmental and real-life conditions

Ambient conditions

Degree of protection	IP66
Enclosure rating (NEMA)	12 (UL 50e)
Impact strength	IK08
Ambient temperature (operation)	-40 °C ... 125 °C

HC-EVO-B24-CHWS-PLRBK - Housing

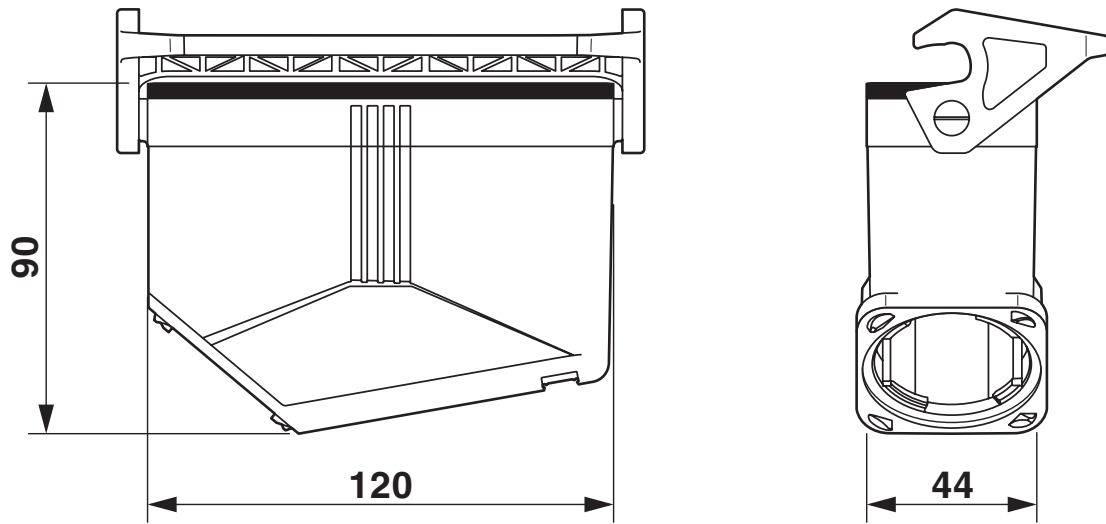
1407667

<https://www.phoenixcontact.com/us/products/1407667>



Drawings

Dimensional drawing



Dimensional drawing

1407667

<https://www.phoenixcontact.com/us/products/1407667>

Approvals

To download certificates, visit the product detail page: <https://www.phoenixcontact.com/us/products/1407667>

DNV

Approval ID: TAE000037S



cUL Recognized

Approval ID: E255026



UL Recognized

Approval ID: E255026



EAC

Approval ID: RU C-DE.AI30.B.01102

1407667

<https://www.phoenixcontact.com/us/products/1407667>

Classifications

ECLASS

ECLASS-13.0	27440202
ECLASS-15.0	27440202

ETIM

ETIM 10.0	EC000437
-----------	----------

UNSPSC

UNSPSC 21.0	31261500
-------------	----------

1407667

<https://www.phoenixcontact.com/us/products/1407667>

Environmental product compliance

EU RoHS

Fulfills EU RoHS substance requirements	Yes, No exemptions
---	--------------------

China RoHS

Environment friendly use period (EFUP)	EFUP-E
	No hazardous substances above the limits

EU REACH SVHC

REACH candidate substance (CAS No.)	No substance above 0.1 wt%
-------------------------------------	----------------------------

EF3.1 Climate Change

CO2e kg	1.319 kg CO2e
---------	---------------

Phoenix Contact 2026 © - all rights reserved
<https://www.phoenixcontact.com>

Phoenix Contact USA
586 Fulling Mill Road
Middletown, PA 17057, United States
(+717) 944-1300
info@phoenixcon.com