

SACC-M 8MR-4CON-M-SW - Connector



1407585

<https://www.phoenixcontact.com/us/products/1407585>

Please be informed that the data shown in this PDF document is generated from our online catalog. Please find the complete data in the user documentation. Our general terms of use for downloads are valid.

Connector, Universal, 4-position, Plug angled M8, coding: A, Screw connection, knurl material: Brass, nickel-plated, external cable diameter 3.5 mm ... 5 mm



Your advantages

- Safe use in the field, thanks to a high degree of protection
- Screw connection: proven connection technology for a large selection of different conductors

Commercial data

Item number	1407585
Packing unit	1 pc
Minimum order quantity	1 pc
Sales key	BF30
Product key	AF2BAA
GTIN	4046356780056
Weight per piece (including packing)	13.8 g
Weight per piece (excluding packing)	13.79 g
Customs tariff number	85366990
Country of origin	DE

SACC-M 8MR-4CON-M-SW - Connector



1407585

<https://www.phoenixcontact.com/us/products/1407585>

Technical data

Notes

Assembly note	NOTE: Observe the permissible bending radii when routing cables, since the degree of protection may be at risk if the bending forces are too high. Reduce mechanical loads upstream of the connector, e.g., by using cable ties.
---------------	-----------------------------------------------------------------------------------------------------------------------------------------------------------------------------------------------------------------------------------------

Mounting

Assembly note	The wires can be connected both with ferrules (without insulation) and without ferrules. The connector pin assignment can be rotated 180° to the cable outlet
---------------	------------------------------------------------------------------------------------------------------------------------------------------------------------------

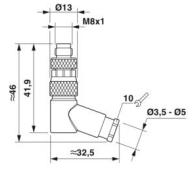
Product properties

Product type	Circular connector (cable-side)
Sensor type	Universal
Number of positions	4
No. of cable outlets	1
Shielded	no
Coding	A
Cable outlet	angled

Insulation characteristics

Overvoltage category	III
Degree of pollution	3

Dimensions

Dimensional drawing	
Width	13 mm
Height	32.5 mm
Length	46 mm

External dimensions

Outside diameter	3.5 mm ... 5 mm
------------------	-----------------

Housing

Diameter housing	13 mm
------------------	-------

Material specifications

Flammability rating according to UL 94	HB
----------------------------------------	----

SACC-M 8MR-4CON-M-SW - Connector



1407585

<https://www.phoenixcontact.com/us/products/1407585>

Seal material	NBR
Material of grip body	PBT
Contact material	CuZn
Contact surface material	Au
Contact carrier material	PA
Material for screw connection	Brass, nickel-plated

Connection data

Conductor connection

Connection method	Screw connection
Connection cross section	0.14 mm ² ... 0.5 mm ² (without ferrule)
	0.14 mm ² ... 0.5 mm ² (with ferrule)
	0.14 mm ² ... 0.5 mm ² (solid)
Connection cross section AWG	26 ... 20 (without ferrule)
Stripping length of the individual wire	4 mm
Tightening torque	0.2 Nm (M8 knurl)
	0.5 Nm (Connector with coupling sleeve)
	0.3 Nm ... 0.4 Nm (Pressure screw for outer cable diameter 3 mm ... 4 mm)
	0.8 Nm ... 1 Nm (Pressure screw in the case of external cable diameter 4 mm ... 5 mm)
	0.1 Nm (Screw terminal blocks)

Electrical properties

Rated surge voltage	1.5 kV
Contact resistance	≤ 3 mΩ
Insulation resistance	≥ 100 MΩ
Nominal voltage U _N	30 V AC
	30 V DC
Nominal current I _N	4 A

Mechanical properties

Mechanical data

Insertion/withdrawal cycles	≥ 100
-----------------------------	-------

Connector

Connection 1

Head design	Plug
Head cable outlet	angled
Head thread type	M8
Coding	A

Cable/line

Signal type/category	Universal
----------------------	-----------

SACC-M 8MR-4CON-M-SW - Connector



1407585

<https://www.phoenixcontact.com/us/products/1407585>

Stripping length of the individual wire	4 mm
-----------------------------------------	------

Environmental and real-life conditions

Ambient conditions

Degree of protection	IP67
Ambient temperature (operation) (male connector/female connector)	-40 °C ... 85 °C (Plug / socket)

Standards and regulations

M8

Standard designation	M8 connector
Standards/specifications	IEC 61076-2-104

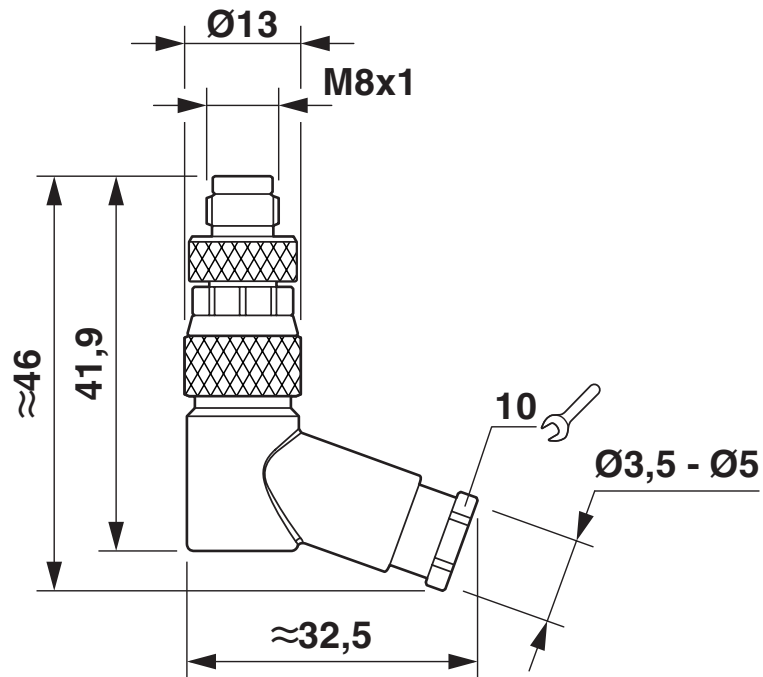
SACC-M 8MR-4CON-M-SW - Connector

1407585

<https://www.phoenixcontact.com/us/products/1407585>

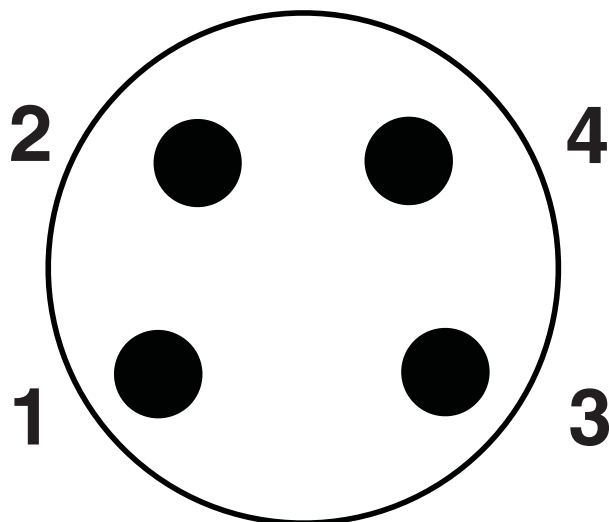
Drawings

Dimensional drawing



Socket M8 x 1, angled

Schematic diagram



Pin assignment M8 plug, 4-pos., view male side

SACC-M 8MR-4CON-M-SW - Connector



1407585

<https://www.phoenixcontact.com/us/products/1407585>

Approvals

To download certificates, visit the product detail page: <https://www.phoenixcontact.com/us/products/1407585>

 UL Listed Approval ID: FILE E 221474				
	Nominal voltage U_N	Nominal current I_N	Cross section AWG	Cross section mm^2
keine				
	30 V	4 A	-	-

 cUL Listed Approval ID: FILE E 221474				
	Nominal voltage U_N	Nominal current I_N	Cross section AWG	Cross section mm^2
keine				
	30 V	4 A	-	-

SACC-M 8MR-4CON-M-SW - Connector



1407585

<https://www.phoenixcontact.com/us/products/1407585>

Classifications

ECLASS

ECLASS-13.0	27440116
ECLASS-15.0	27440116

ETIM

ETIM 10.0	EC002635
-----------	----------

UNSPSC

UNSPSC 21.0	39121400
-------------	----------

1407585

<https://www.phoenixcontact.com/us/products/1407585>

Environmental product compliance

EU RoHS

Fulfills EU RoHS substance requirements	Yes
Exemption	6(c)

China RoHS

Environment friendly use period (EFUP)	EFUP-50
	An article-related China RoHS declaration table can be found in the download area for the respective article under "Manufacturer declaration". For all articles with EFUP-E, no China RoHS declaration table issued and required.

EU REACH SVHC

REACH candidate substance (CAS No.)	Lead(CAS: 7439-92-1)
SCIP	2ca243ad-79ee-4a06-936b-23cdd7c2c746

Phoenix Contact 2026 © - all rights reserved

<https://www.phoenixcontact.com>

Phoenix Contact USA
586 Fulling Mill Road
Middletown, PA 17057, United States
(+717) 944-1300
info@phoenixcon.com