

# SAC-ASI-J-Y-B-PUR-1,0-FS SCO - Distributor



1407575

<https://www.phoenixcontact.com/us/products/1407575>

Please be informed that the data shown in this PDF document is generated from our online catalog. Please find the complete data in the user documentation. Our general terms of use for downloads are valid.



AS-Interface distributor with a high degree of protection, for a branch from two flat-ribbon conductors to a 1.0 m PUR round cable with straight M12-SPEEDCON socket

## Commercial data

|                                      |               |
|--------------------------------------|---------------|
| Item number                          | 1407575       |
| Packing unit                         | 1 pc          |
| Minimum order quantity               | 1 pc          |
| Sales key                            | BF10          |
| Product key                          | AF1GFA        |
| GTIN                                 | 4046356779951 |
| Weight per piece (including packing) | 84 g          |
| Weight per piece (excluding packing) | 78.9 g        |
| Customs tariff number                | 85444290      |
| Country of origin                    | VN            |

1407575

<https://www.phoenixcontact.com/us/products/1407575>

## Technical data

### Product properties

|                     |                         |
|---------------------|-------------------------|
| Product type        | Network distributor box |
| Number of positions | 4                       |
| Coding              | A                       |

### Insulation characteristics

|                      |    |
|----------------------|----|
| Overvoltage category | II |
| Degree of pollution  | 3  |

### Electrical properties

|                       |                |
|-----------------------|----------------|
| Nominal voltage $U_N$ | $\leq 32$ V DC |
| Nominal current $I_N$ | 4 A            |
| Transmission medium   | Copper         |

### Connection data

#### Connection technology

|                   |                            |
|-------------------|----------------------------|
| Connection method | AS-i penetration technique |
|-------------------|----------------------------|

#### Connection assignment

|   |   |
|---|---|
| Contact   Color (signal designation)   Contact (optional) | 1 (M12 socket)   BN (AS-i+)   3.1 (AS-i distributors) |
|   | 2 (M12 socket)   WH (AUX-)   4.2 (AS-i distributors)  |
|   | 3 (M12 socket)   BU (AS-i-)   3.2 (AS-i distributors) |
|   | 4 (M12 socket)   BK (AUX+)   4.1 (AS-i distributors)  |
|   | 5 (M12 socket)   N.C.                                 |

### Interfaces

|            |              |
|------------|--------------|
| Bus system | AS-Interface |
|------------|--------------|

### Signaling

|                        |    |
|------------------------|----|
| Status display         | no |
| Status display present | no |

### Material specifications

|                    |     |
|--------------------|-----|
| Material Grip body | TPU |
|--------------------|-----|

### Connector

#### Connection 1

|                     |  |
|---------------------|--|
| Type                | Load center lateral AS-i Screw locking |
| Number of positions | 4                                      |
| Locking type        | Screw locking mechanism                |
| Material            | CuSn (Contact)                         |
|                     | Ni/Au (Contact surface)                |

# SAC-ASI-J-Y-B-PUR-1,0-FS SCO - Distributor



1407575

<https://www.phoenixcontact.com/us/products/1407575>

|                   |                                    |
|-------------------|------------------------------------|
|                   | PBT (Contact carrier)              |
|                   | PBT (Housing)                      |
|                   | Stainless steel (Screw connection) |
| Tightening torque | 1.65 Nm (Locking screw)            |

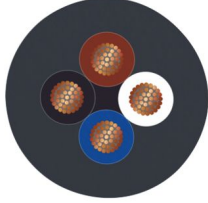
## Connection 2

|                             |   |
|-----------------------------|---|
| Type                        | Socket straight M12 SPEEDCON                    |
| Number of positions         | 4 (5)   |
| Locking type                | SPEEDCON  |
| Material                    | CuSn (Contact)                                  |
|                             | Ni/Au (Contact surface)                         |
|                             | TPU GF (Contact carrier)                        |
|                             | TPU (Grip body)                                 |
|                             | Zinc die-cast, nickel-plated (Screw connection) |
| Insertion/withdrawal cycles | ≥ 100   |
| Tightening torque           | 0.4 Nm  |

## Cable/line

|              |     |
|--------------|-----|
| Cable length | 1 m |
|--------------|-----|

## PUR halogen-free black [PUR]

|                                 |  |
|---------------------------------|--|
| Dimensional drawing             |  |
| UL AWM Style                    | 20549 / 10493  |
| Number of positions             | 4  |
| Shielded                        | no   |
| Cable type                      | PUR halogen-free black [PUR]   |
| Conductor structure signal line | 42x 0.10 mm  |
| AWG signal line                 | 22   |
| Conductor cross-section         | 4x 0.34 mm <sup>2</sup> (Signal line)  |
| Wire diameter incl. insulation  | 1.25 mm ±0.05 mm   |
| External cable diameter         | 4.30 mm ±0.2 mm  |
| Outer sheath, material          | PUR  |
| External sheath, color          | black  |
| Conductor material              | Bare Cu litz wires   |
| Material wire insulation        | PP   |
| Single wire, color              | brown, white, blue, black  |
| Overall twist                   | 4 wires, twisted   |
| Ambient temperature (operation) | -40 °C ... 80 °C (fixed routing)   |

1407575

<https://www.phoenixcontact.com/us/products/1407575>

|  |                                       |
|--|---------------------------------------|
|  | -25 °C ... 80 °C (Flexibly installed) |
|--|---------------------------------------|

## Environmental and real-life conditions

### Ambient conditions

|   |   |
|---|---|
| Degree of protection  | IP65  |
|   | IP67  |
| Ambient temperature (operation) (male connector/female connector) | -25 °C ... 75 °C                                |
| Ambient temperature (operation) (Cable, flexible installation)    | -25 °C ... 80 °C (Cable, flexible installation) |
| Ambient temperature (operation) (Cable, fixed installation)       | -40 °C ... 80 °C (cable, fixed installation)    |
| Ambient temperature (storage/transport)                           | -25 °C ... 85 °C                                |

## Standards and regulations

|                          |                 |
|--------------------------|-----------------|
| Standard designation     | M12 connector   |
| Standards/specifications | IEC 61076-2-101 |

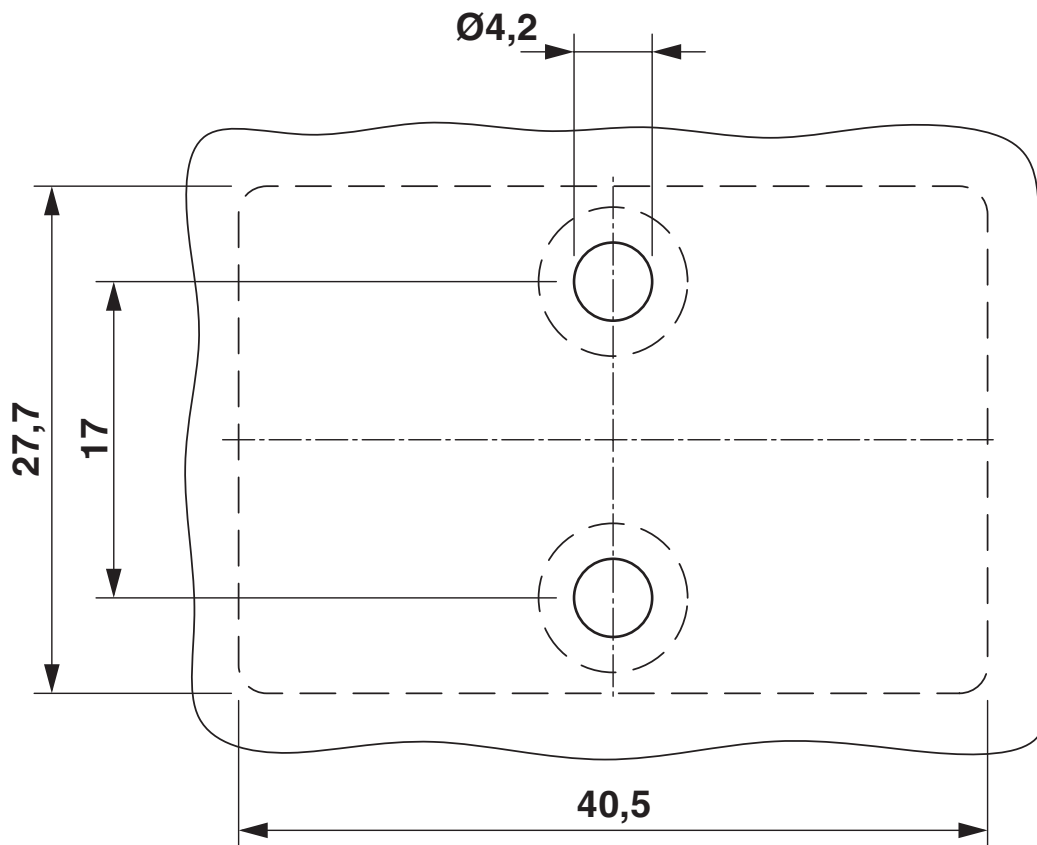
Drawings

Dimensional drawing



Distributor, AS-Interface

Dimensional drawing



Distance and position of the mounting holes

# SAC-ASI-J-Y-B-PUR-1,0-FS SCO - Distributor

1407575

<https://www.phoenixcontact.com/us/products/1407575>

Dimensional drawing



M12 x 1 socket, straight

Schematic diagram

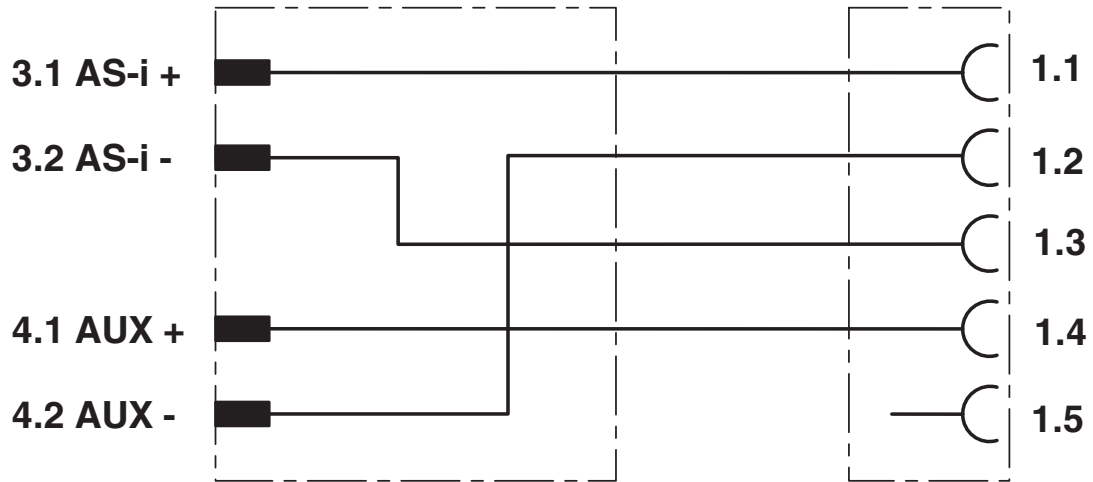


Pin assignment M12, PIN 1: AS-i +, PIN 2: AUX -, PIN 3: AS-i -, PIN 4: AUX +, PIN 5: Not used

1407575

<https://www.phoenixcontact.com/us/products/1407575>

Circuit diagram



Contact assignment of the AS-Interface distributor

1407575

<https://www.phoenixcontact.com/us/products/1407575>

## Classifications

### ECLASS

|             |          |
|-------------|----------|
| ECLASS-13.0 | 27440106 |
| ECLASS-15.0 | 27440106 |

### ETIM

|           |          |
|-----------|----------|
| ETIM 10.0 | EC002925 |
|-----------|----------|

### UNSPSC

|             |          |
|-------------|----------|
| UNSPSC 21.0 | 31251500 |
|-------------|----------|

1407575

<https://www.phoenixcontact.com/us/products/1407575>

## Environmental product compliance

### EU RoHS

|   |                    |
|---|--------------------|
| Fulfills EU RoHS substance requirements | Yes, No exemptions |
|---|--------------------|

### China RoHS

|  |   |
|--|---|
| Environment friendly use period (EFUP) | EFUP-50   |
|  | An article-related China RoHS declaration table can be found in the download area for the respective article under "Manufacturer declaration". For all articles with EFUP-E, no China RoHS declaration table issued and required. |

### EU REACH SVHC

|                                     |                            |
|-------------------------------------|----------------------------|
| REACH candidate substance (CAS No.) | No substance above 0.1 wt% |
|-------------------------------------|----------------------------|

Phoenix Contact 2026 © - all rights reserved  
<https://www.phoenixcontact.com>

Phoenix Contact USA  
586 Fulling Mill Road  
Middletown, PA 17057, United States  
(+717) 944-1300  
[info@phoenixcon.com](mailto:info@phoenixcon.com)