

NBC-MSY/10,0-94H SCO - Hybrid cable



1407490

<https://www.phoenixcontact.com/us/products/1407490>

Please be informed that the data shown in this PDF document is generated from our online catalog. Please find the complete data in the user documentation. Our general terms of use for downloads are valid.



Hybrid cable, Ethernet hybrid CAT5 (100 Mbps), 8-position, PUR halogen-free, black RAL 9005, shielded, Plug straight M12 SPEEDCON, coding: Y / IP67, on free cable end, cable length: 10 m, Power with Ethernet (PWE)

Commercial data

| | |
|--------------------------------------|--------------------------------|
| Item number | 1407490 |
| Packing unit | 1 pc |
| Note | Made to order (non-returnable) |
| Sales key | BF04 |
| Product key | AF1CML |
| GTIN | 4046356777896 |
| Weight per piece (including packing) | 895.1 g |
| Weight per piece (excluding packing) | 895.1 g |
| Customs tariff number | 85444210 |
| Country of origin | PL |

1407490

<https://www.phoenixcontact.com/us/products/1407490>

Technical data

Product properties

| | |
|----------------------|-------------------------|
| Product type | Data cable preassembled |
| Application | Standard |
| Sensor type | Ethernet hybrid |
| Number of positions | 8 |
| No. of cable outlets | 1 |
| Shielded | yes |
| Coding | Y |

Interfaces

| | |
|----------------------|--|
| Bus system | Ethernet |
| Signal type/category | Ethernet hybrid CAT5 (IEC 11801), 100 Mbps |

Signaling

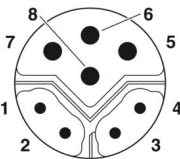
| | |
|------------------------|----|
| Status display | no |
| Status display present | no |

Electrical properties

| | |
|-----------------------|--------------------------|
| Nominal voltage U_N | 48 V AC (Power and data) |
| | 50 V DC (Power and data) |
| Nominal current I_N | 6 A (Power) |
| | 0.5 A (Data) |
| Transmission medium | Copper |
| Transmission speed | 100 Mbps |

Connector

Connection 1

| | |
|----------------------|--|
| Dimensional drawing |  <p>M12 hybrid plug pin assignment, 8-pos., Y-coded, pin side view</p> |
| Type | M12 Plug, straight, 8-position, shielded (Advanced Shielding Technology), Keying: Y |
| Number of positions | 8 |
| Shielded | yes |
| Shielding | Advanced Shielding Technology |
| Signal type/category | EtherCAT® CAT5 (IEC 11801), 100 Mbps PROFINET CAT5 (IEC 11801), 100 Mbps |

NBC-MSY/10,0-94H SCO - Hybrid cable



1407490

<https://www.phoenixcontact.com/us/products/1407490>

| | |
|--|---|
| Insertion/withdrawal cycles | ≥ 100 |
| Insulation resistance | ≥ 100 MΩ |
| Overvoltage category | III |
| Degree of pollution | 3 |
| Tightening torque | 0.4 Nm |
| Material Contact | CuZn |
| Material Contact surface | Ni/Au |
| Material Contact carrier | PA 6.6 |
| Material Screw connection | Die-cast zinc, nickel-plated |
| Material Grip body | TPU, hardly inflammable, self-extinguishing |
| Material Seal | FKM |
| Flammability rating according to UL 94 | V0 |
| Degree of protection | IP65 IP67 |
| Ambient temperature (operation) | -25 °C ... 85 °C |
| Standard designation | M12 connector |
| Standards/regulations | IEC 61076-2-113 |


Connection 2

| | |
|------|----------------|
| Type | free cable end |
|------|----------------|

Cable/line

| | |
|--------------|------|
| Cable length | 10 m |
|--------------|------|

Ethernet hybrid [94H]

| | |
|-------------------------------------|--|
| Dimensional drawing |  |
| Cable weight | 87 kg/km |
| UL AWM Style | 20963 (80°C/30 V) |
| Number of positions | 8 |
| Shielded | yes |
| Cable type | Ethernet hybrid [94H] |
| Conductor structure | 1x4xAWG26 + 1x4xAWG20 |
| Conductor structure signal line | 19x 0.10 mm |
| AWG signal line | 26 |
| Conductor structure, voltage supply | 19x 0.20 mm |
| AWG power supply | 20 |
| Conductor cross-section | 4x 0.15 mm ² (Data) 4x 0.6 mm ² (Power) |

NBC-MSY/10,0-94H SCO - Hybrid cable



1407490

<https://www.phoenixcontact.com/us/products/1407490>

| | |
|---|--|
| Wire diameter incl. insulation | 1.05 mm (Data) |
| | 1.4 mm (Power) |
| External cable diameter | 7.60 mm ±0.2 mm |
| Outer sheath, material | PUR |
| External sheath, color | black RAL 9005 |
| Conductor material | Bare Cu litz wires |
| Material wire insulation | PP (Data) |
| | PP (Power) |
| Single wire, color | white/orange, orange, white/green, green, white, blue, brown, black |
| Overall twist | 1 star quad and 4 wires with 2 fillers |
| Optical shield covering | 85 % |
| Insulation resistance | ≥ 5 GΩ*km |
| Loop resistance | ≤ 280.00 Ω/km (Data) |
| | ≤ 34.60 Ω/km (Power) |
| Wave impedance | 100 Ω ±15 Ω (4 MHz ... 100 MHz) |
| Working capacitance | nom. 50 nF (per kilometer) |
| Differential impedance | 100 Ω ±5 % (at 100 MHz) |
| Nominal voltage, cable | ≤ 50 V (Peak value, not for high-power applications) |
| Test voltage Core/Core | 1500 V (50 Hz, 1 min.) |
| Test voltage Core/Shield | 1500.00 V (50 Hz, 1 min.) |
| Minimum bending radius, fixed installation | 5 x D |
| Minimum bending radius, flexible installation | 10 x D |
| Smallest bending radius, fixed installation | 38 mm |
| Smallest bending radius, movable installation | 76 mm |
| Dynamic load capacity (bending) | Max. bending cycles: 2000000, Traversing path: 4.5 m, Traversing rate: 3 m/s, Acceleration: 4 m/s ² |
| Tensile strength | 70 N (in accordance with DIN EN 50565-1 for flexible installation) |
| | 240 N (in accordance with DIN EN 50565-1 for fixed installation) |
| Near end crosstalk attenuation (NEXT) | 56.3 dB (at 4 MHz) |
| | 50.3 dB (at 10 MHz) |
| | 47.2 dB (at 16 MHz) |
| | 45.8 dB (at 20 MHz) |
| | 42.9 dB (at 31.25 MHz) |
| | 38.4 dB (at 62.5 MHz) |
| | 35.3 dB (at 100 MHz) |
| Shield attenuation | 6 dB (at 4 MHz) |
| | 9.5 dB (at 10 MHz) |
| | 12.1 dB (at 16 MHz) |
| | 13.5 dB (at 20 MHz) |
| | 17.1 dB (at 31.25 MHz) |
| | 24.8 dB (at 62.5 MHz) |
| | 32 dB (at 100 MHz) |
| ≥ 80.00 dB (30 MHz ... 125 MHz) | |

NBC-MSY/10,0-94H SCO - Hybrid cable



1407490

<https://www.phoenixcontact.com/us/products/1407490>

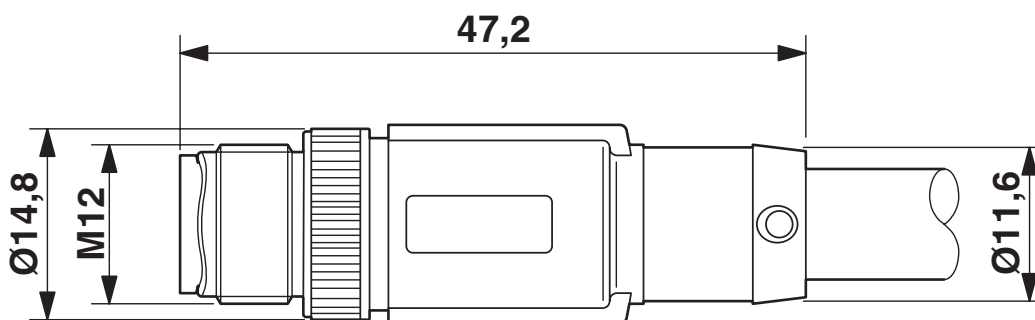
| | |
|---------------------------------|---|
| Halogen-free | according to IEC 60754 |
| | in accordance with DIN VDE 0472 part 815 |
| Flame resistance | in acc. with UL 1581, section 1061 |
| | in acc. with UL 1581, section 1061 |
| Resistance to oil | according to IEC 60811-2-1 |
| | according to VDE 0282 Part 10 |
| Other resistance | Low adhesion |
| Special properties | Free of substances which would hinder coating with paint or varnish |
| | Silicone-free |
| Ambient temperature (operation) | -40 °C ... 90 °C (cable, fixed installation) |
| | -30 °C ... 70 °C (Cable, flexible installation) |

Standards and regulations

| | |
|--------------------------|-----------------|
| Standard designation | M12 connector |
| Standards/specifications | IEC 61076-2-113 |

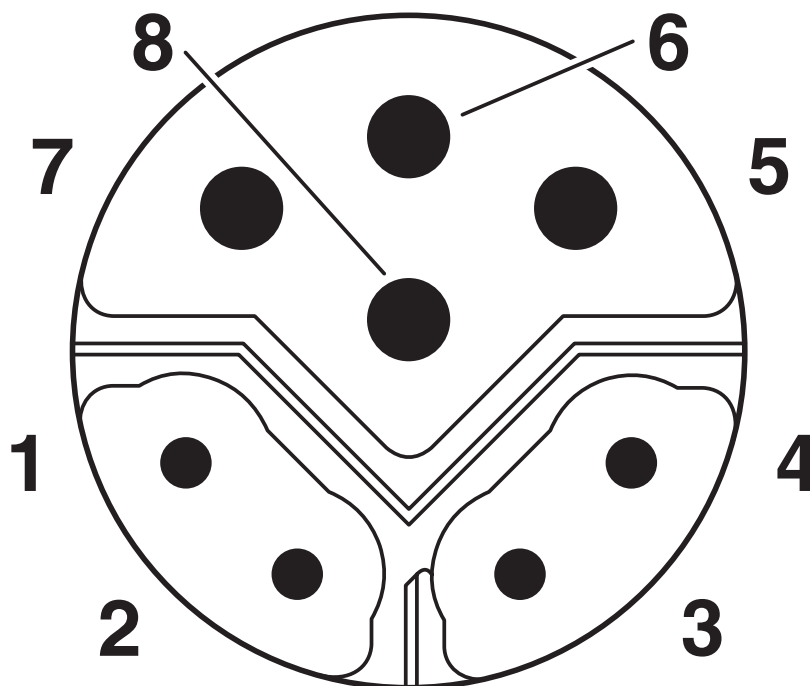
Drawings

Dimensional drawing



Plug, M12 x 1, straight, shielded

Schematic diagram



M12 hybrid plug pin assignment, 8-pos., Y-coded, pin side view

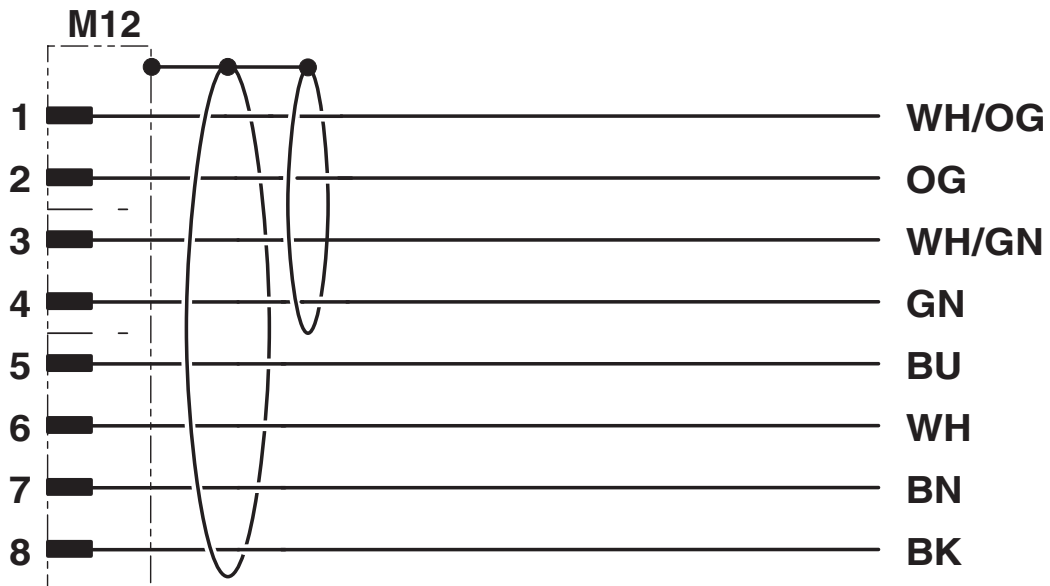
NBC-MSY/10,0-94H SCO - Hybrid cable



1407490

<https://www.phoenixcontact.com/us/products/1407490>

Circuit diagram



Contact assignment of the M12 plug

NBC-MSY/10,0-94H SCO - Hybrid cable



1407490

<https://www.phoenixcontact.com/us/products/1407490>

Classifications

ECLASS

| | |
|-------------|----------|
| ECLASS-13.0 | 27060307 |
| ECLASS-15.0 | 27060307 |

UNSPSC

| | |
|-------------|----------|
| UNSPSC 21.0 | 26121600 |
|-------------|----------|

NBC-MSY/10,0-94H SCO - Hybrid cable



1407490

<https://www.phoenixcontact.com/us/products/1407490>

Environmental product compliance

EU RoHS

| | |
|---|--------------------|
| Fulfills EU RoHS substance requirements | Yes, No exemptions |
|---|--------------------|

China RoHS

| | |
|--|--|
| Environment friendly use period (EFUP) | EFUP-E |
| | No hazardous substances above the limits |

EU REACH SVHC

| | |
|-------------------------------------|----------------------------|
| REACH candidate substance (CAS No.) | No substance above 0.1 wt% |
|-------------------------------------|----------------------------|

Phoenix Contact 2026 © - all rights reserved
<https://www.phoenixcontact.com>

Phoenix Contact USA
586 Fulling Mill Road
Middletown, PA 17057, United States
(+717) 944-1300
info@phoenixcon.com