

CUC-V04-BU-90 - RJ45 jack insert



1407408

<https://www.phoenixcontact.com/us/products/1407408>

Please be informed that the data shown in this PDF document is generated from our online catalog. Please find the complete data in the user documentation. Our general terms of use for downloads are valid.



RJ45 jack insert, design: RJ45, IP20, degree of protection: IP20, number of positions: 8, CAT5, material: Copper alloy, connection method: Solder connection, Ethernet

Commercial data

Item number	1407408
Packing unit	1 pc
Note	Made to order (non-returnable)
Sales key	NULL
Product key	ABNADA
GTIN	4046356772280
Weight per piece (including packing)	6.3 g
Weight per piece (excluding packing)	6.3 g
Customs tariff number	85366990
Country of origin	DE

CUC-V04-BU-90 - RJ45 jack insert



1407408

<https://www.phoenixcontact.com/us/products/1407408>

Technical data

Product properties

Product type	Data connector (device side)
Type	Female
Sensor type	Ethernet
Number of positions	8
Connection profile	RJ45

Electrical properties

Rated voltage (III/3)	125 V
Rated surge voltage	125 V
Rated current	1.5 A
Nominal voltage U_N	48 V
Nominal current I_N	1.5 A

Connection data

Connection technology

Connection method	Solder connection
-------------------	-------------------

Dimensions

Width	16 mm
Height	15 mm
Length	19 mm

Material specifications

Flammability rating according to UL 94	V0
Housing material	Copper alloy

Mechanical properties

Mechanical data

Insertion/withdrawal cycles	≥ 750
-----------------------------	-------

Standards and regulations

Standards/specifications	IEC 60603-7
--------------------------	-------------

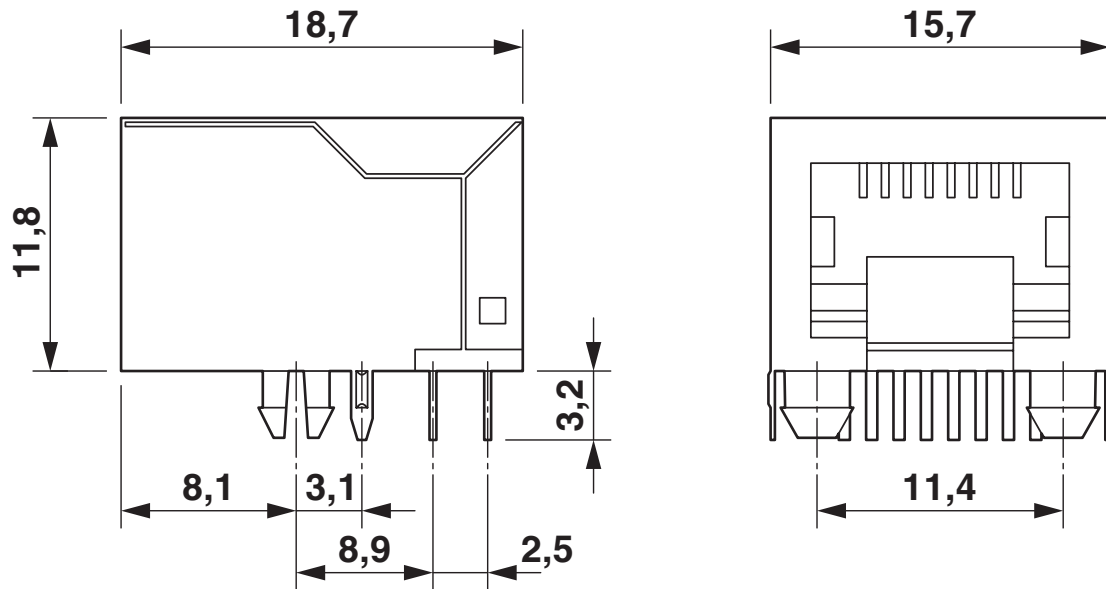
CUC-V04-BU-90 - RJ45 jack insert

1407408

<https://www.phoenixcontact.com/us/products/1407408>

Drawings

Dimensional drawing



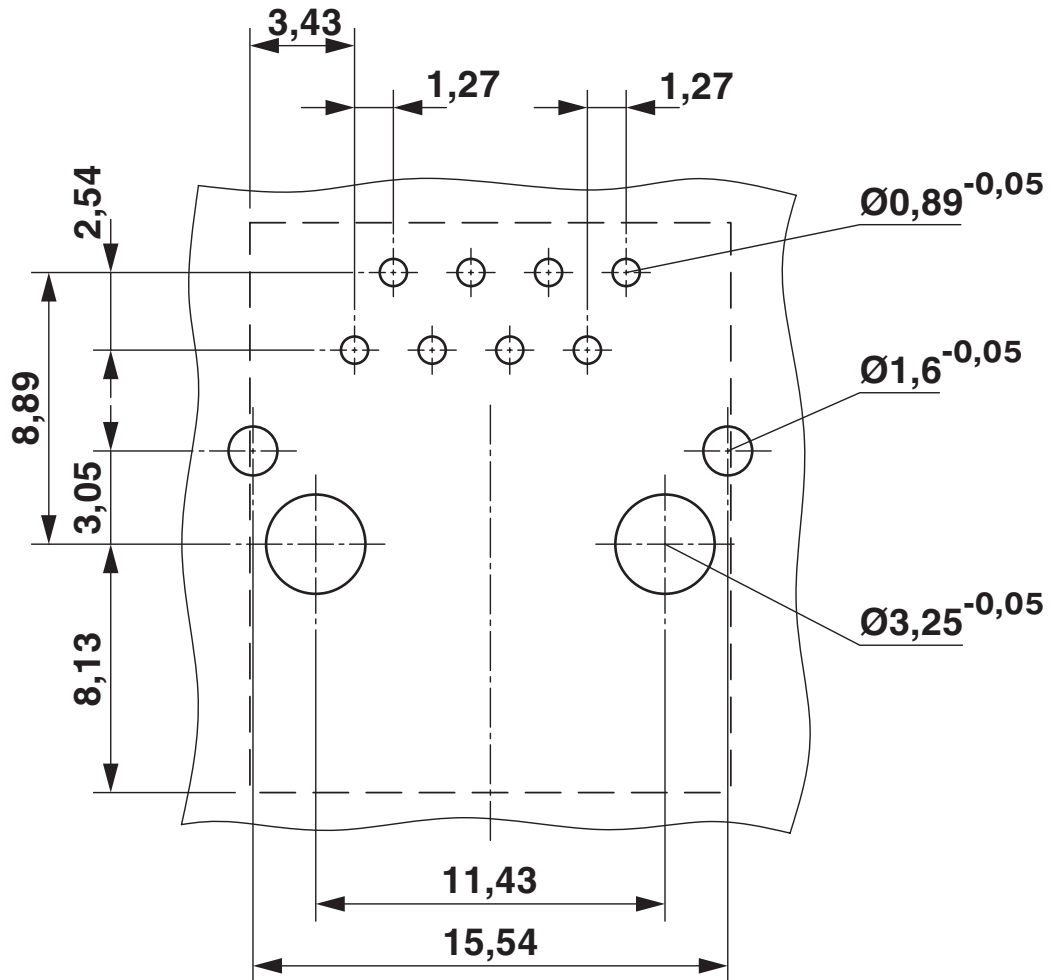
CUC-V04-BU-90 - RJ45 jack insert



1407408

<https://www.phoenixcontact.com/us/products/1407408>

Drilling plan/solder pad geometry



CUC-V04-BU-90 - RJ45 jack insert



1407408

<https://www.phoenixcontact.com/us/products/1407408>

Classifications

ECLASS

ECLASS-13.0	27460201
ECLASS-15.0	27460201

CUC-V04-BU-90 - RJ45 jack insert



1407408

<https://www.phoenixcontact.com/us/products/1407408>

Environmental product compliance

EU RoHS

Fulfills EU RoHS substance requirements	Yes, No exemptions
---	--------------------

China RoHS

Environment friendly use period (EFUP)	EFUP-E
	No hazardous substances above the limits

EU REACH SVHC

REACH candidate substance (CAS No.)	No substance above 0.1 wt%
-------------------------------------	----------------------------

Phoenix Contact 2026 © - all rights reserved
<https://www.phoenixcontact.com>

Phoenix Contact USA
586 Fulling Mill Road
Middletown, PA 17057, United States
(+717) 944-1300
info@phoenixcon.com