

SAC-3P- 3,0-PUO/A-1L-Z OD - Sensor/actuator cable



1407288

<https://www.phoenixcontact.com/us/products/1407288>

Please be informed that the data shown in this PDF document is generated from our online catalog. Please find the complete data in the user documentation. Our general terms of use for downloads are valid.



Sensor/actuator cable, 3-position, PUR halogen-free, black RAL 9005, free cable end, on Valve connector A, with 1 LED, Wiring: Z diode, cable length: 3 m, for outdoor applications, with stainless steel central screw and additional silicone seal (red)

Your advantages

- Easy and safe: 100 % electrically tested plug-in components
- Stainless steel type 1.4404 used to provide corrosion protection for all exposed metal parts
- Robust throughout: resistant to oil, UV, and ozone, withstands temperatures from -20 °C ... +85 °C
- Convenient: increased machine availability thanks to quick and easy diagnostics

Commercial data

Item number	1407288
Packing unit	1 pc
Minimum order quantity	1 pc
Sales key	BF07
Product key	AF1DAA
GTIN	4046356774062
Weight per piece (including packing)	171.6 g
Weight per piece (excluding packing)	154 g
Customs tariff number	85444290
Country of origin	PL

1407288

<https://www.phoenixcontact.com/us/products/1407288>

Technical data

Product properties

Product type	Sensor/actuator cable with valve connector
Application	External areas
Number of positions	3
No. of cable outlets	1
Shielded	no

Insulation characteristics

Overvoltage category	III
Degree of pollution	3

Connection data

Conductor connection

Tightening torque	0.6 Nm ... 0.8 Nm (0.8 Nm for IP66K)
-------------------	--------------------------------------

Material specifications

Flammability rating according to UL 94	V0
Seal material	TPU Silicon
Material housing valve plug	TPU
Contact material	CuSn
Valve plug contact insert material	PA 6.6
Contact surface material	Sn

Electrical properties

Insulation resistance	$\geq 100 \text{ M}\Omega$
Nominal voltage U_N	24 V AC 24 V DC
Nominal current I_N	4 A

Valve connector characteristics

Fixing screws	M3 x 29
---------------	---------

Signaling

Status display	1 LED
Status display present	yes

Connector

Connection 1

Type	free cable end
------	----------------

Connection 2

SAC-3P- 3,0-PUO/A-1L-Z OD - Sensor/actuator cable



1407288

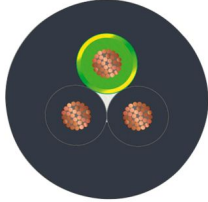
<https://www.phoenixcontact.com/us/products/1407288>

Type	Valve connector A
Number of positions	3
Material	CuSn (Contact)
	Sn (Contact surface)
	PA 6.6 (Contact carrier)
	TPU (Housing)
Protective circuit	Z diode

Cable/line

Cable length	3 m
--------------	-----

PUR halogen-free black [PUO]

Dimensional drawing	
Number of positions	3
Shielded	no
Cable type	PUR halogen-free black [PUO]
Conductor structure signal line	16x 0.20 mm
AWG signal line	20
Conductor cross-section	3x 0.5 mm ²
Wire diameter incl. insulation	2 mm ±0.05 mm
External cable diameter	5.90 mm ±0.1 mm
Outer sheath, material	PUR
External sheath, color	black RAL 9005
Conductor material	Tin-plated Cu litz wires
Material wire insulation	PP
Single wire, color	black 1, black 2, green/yellow
Overall twist	3 wires, twisted
Max. conductor resistance	≤ 40.1 Ω/km
Insulation resistance	70 GΩ*km
Nominal voltage, cable	300 V
Test voltage Core/Core	3000 V (Spark test)
Minimum bending radius, fixed installation	10 x D
Minimum bending radius, flexible installation	15 x D
Smallest bending radius, fixed installation	59 mm
Smallest bending radius, movable installation	89 mm
Halogen-free	in accordance with DIN VDE 0472 part 815
	in accordance with EN 50267-2-1

SAC-3P- 3,0-PUO/A-1L-Z OD - Sensor/actuator cable



1407288

<https://www.phoenixcontact.com/us/products/1407288>

Resistance to oil	According to DIN EN 50306
	According to DIN EN 60811-2-1, 138 h at 100°C
Other resistance	UV resistant
	hydrolysis and microbe resistant
	Good resistance to aggressive media
Ambient temperature (operation)	-40 °C ... 105 °C (cable, fixed installation)
	-15 °C ... 105 °C (Cable, flexible installation)

Environmental and real-life conditions

Ambient conditions

Degree of protection	IP65
	IP66K (Observe tightening torque)
	IP67
	IP68
Ambient temperature (operation) (Valve connector)	-40 °C ... 85 °C (Valve connector)

Standards and regulations

Valve connector

Standard designation	Valve connector
Standards/specifications	EN 175301-803

SAC-3P- 3,0-PUO/A-1L-Z OD - Sensor/actuator cable



1407288

<https://www.phoenixcontact.com/us/products/1407288>

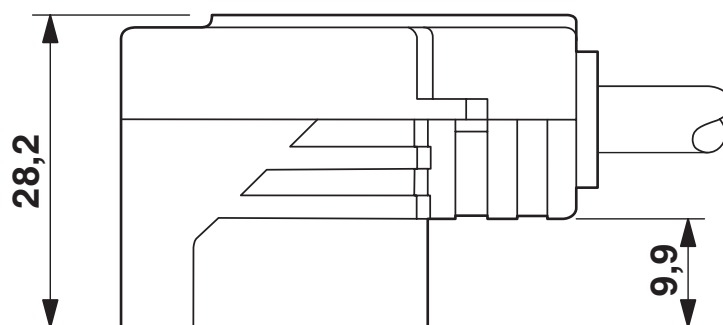
Drawings

Dimensional drawing



Valve connector, type A

Dimensional drawing



Valve connector, type A, side view

Schematic diagram



Valve connector pin assignment, type A

Circuit diagram



Contact assignment of the valve plug

SAC-3P- 3,0-PUO/A-1L-Z OD - Sensor/actuator cable



1407288

<https://www.phoenixcontact.com/us/products/1407288>

Approvals

To download certificates, visit the product detail page: <https://www.phoenixcontact.com/us/products/1407288>



EAC-RoHS

Approval ID: RU D-DE.HB35.B.00387



CSAus

Approval ID: 13631

	Nominal voltage U_N	Nominal current I_N	Cross section AWG	Cross section mm^2
keine				
	24 V	4 A	-	-

SAC-3P- 3,0-PUO/A-1L-Z OD - Sensor/actuator cable



1407288

<https://www.phoenixcontact.com/us/products/1407288>

Classifications

ECLASS

ECLASS-13.0	27060312
ECLASS-15.0	27060312

ETIM

ETIM 10.0	EC001855
-----------	----------

UNSPSC

UNSPSC 21.0	31251500
-------------	----------

1407288

<https://www.phoenixcontact.com/us/products/1407288>

Environmental product compliance

EU RoHS

Fulfills EU RoHS substance requirements	Yes
Exemption	7(c)-I

China RoHS

Environment friendly use period (EFUP)	EFUP-50
	An article-related China RoHS declaration table can be found in the download area for the respective article under "Manufacturer declaration". For all articles with EFUP-E, no China RoHS declaration table issued and required.

EU REACH SVHC

REACH candidate substance (CAS No.)	6,6'-di-tert-butyl-2,2'-methylenedi-p-cresol(CAS: 119-47-1)
SCIP	b33452a9-9463-40d5-a50e-fb1f591d7c46

EF3.1 Climate Change

CO2e kg	2.238 kg CO2e
---------	---------------

Phoenix Contact 2026 © - all rights reserved
<https://www.phoenixcontact.com>

Phoenix Contact USA
 586 Fulling Mill Road
 Middletown, PA 17057, United States
 (+717) 944-1300
info@phoenixcon.com