

# SAC-4P-M12MS/10,0-542 SH BK - Sensor/actuator cable



1406177

<https://www.phoenixcontact.com/us/products/1406177>

Please be informed that the data shown in this PDF document is generated from our online catalog. Please find the complete data in the user documentation. Our general terms of use for downloads are valid.



Sensor/actuator cable, 4-position, PVC, yellow, shielded, Plug straight M12, coding: A, on free cable end, cable length: 10 m

## Commercial data

Item number	1406177
Packing unit	1 pc
Minimum order quantity	1 pc
Note	Made to order (non-returnable)
Sales key	BF13
Product key	AF1IDB
GTIN	4046356798730
Weight per piece (including packing)	515 g
Weight per piece (excluding packing)	298.9 g
Customs tariff number	85444290
Country of origin	US

# SAC-4P-M12MS/10,0-542 SH BK - Sensor/actuator cable



1406177

<https://www.phoenixcontact.com/us/products/1406177>

## Technical data

### Product properties

Product type	Sensor/actuator cable
Application	Standard, U.S. cables
Number of positions	4
No. of cable outlets	1
Shielded	yes
Coding	A

### Insulation characteristics

Overvoltage category	II
Degree of pollution	3

### Material specifications

Flammability rating according to UL 94	HB
Material of grip body	TPU, hardly inflammable, self-extinguishing
Contact material	CuSn
Contact surface material	Ni/Au
Contact carrier material	TPU GF
Material for screw connection	Zinc die-cast, nickel-plated
Outer sheath, material	PVC

### Electrical properties

Insulation resistance	$\geq 100 \text{ M}\Omega$
Nominal voltage $U_N$	48 V AC
	60 V DC
Nominal current $I_N$	4 A

### Mechanical properties

#### Mechanical data

Insertion/withdrawal cycles	$\geq 100$
-----------------------------	------------

### Signaling

Status display	no
Status display present	no

### Connection data

#### Conductor connection

Tightening torque	0.4 Nm (M12 connector)
-------------------	------------------------

### Connector

#### Connection 1

# SAC-4P-M12MS/10,0-542 SH BK - Sensor/actuator cable



1406177

<https://www.phoenixcontact.com/us/products/1406177>

Type	Plug straight M12
Coding type	A

## Connection 2

Type	free cable end
------	----------------

## Cable/line

Cable length	10 m
--------------	------

PVC yellow 105 °C [542]

Dimensional drawing	
Cable weight	48 kg/km
UL AWM Style	2517 (105 °C / 300 V)
Number of positions	4
Shielded	yes
Cable type	PVC yellow 105 °C [542]
Conductor structure signal line	7x 0.25 mm
AWG signal line	22
Wire diameter incl. insulation	1.27 mm ±0.03 mm
External cable diameter	5.50 mm ±0.2 mm
Outer sheath, material	PVC
External sheath, color	yellow
Conductor material	Tin-plated Cu litz wires
Material wire insulation	PVC
Single wire, color	brown, blue, black, white
Overall twist	4 wires, twisted
Optical shield covering	85 %
Max. conductor resistance	max. 50.5 Ω/km (20 °C)
Insulation resistance	≥ (550 M Ohms/m @ 500V)
Nominal voltage, cable	300 V
Minimum bending radius, flexible installation	12 x D
Smallest bending radius, movable installation	66 mm
Flame resistance	FT4
Other resistance	UV resistant
Special properties	UL standards PLTC and ITC
Ambient temperature (operation)	-30 °C ... 105 °C (cable, fixed installation) -5 °C ... 105 °C (Cable, flexible installation)

# SAC-4P-M12MS/10,0-542 SH BK - Sensor/actuator cable



1406177

<https://www.phoenixcontact.com/us/products/1406177>

## Environmental and real-life conditions

### Ambient conditions

Degree of protection	IP65
	IP67
Ambient temperature (operation) (male connector/female connector)	-25 °C ... 90 °C (Plug / socket)
Ambient temperature (operation) (Cable, fixed installation)	-40 °C ... 80 °C (cable, fixed installation)
Ambient temperature (operation) (Cable, flexible installation)	-5 °C ... 80 °C (Cable, flexible installation)

## Standards and regulations

Standard designation	M12 connector
Standards/specifications	IEC 61076-2-101

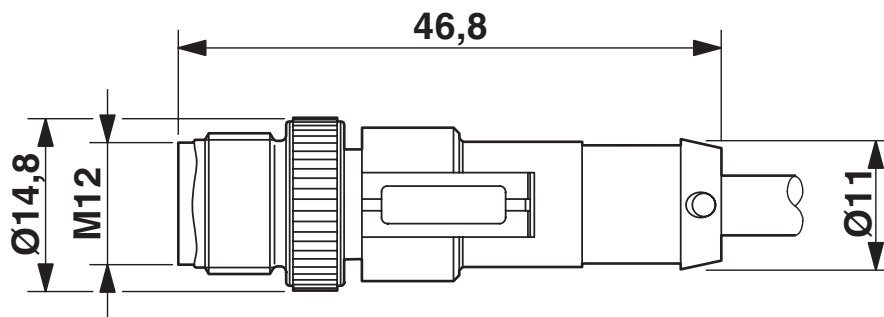
# SAC-4P-M12MS/10,0-542 SH BK - Sensor/actuator cable

1406177

<https://www.phoenixcontact.com/us/products/1406177>

## Drawings

Dimensional drawing



Plug, M12 x 1, straight, shielded

# SAC-4P-M12MS/10,0-542 SH BK - Sensor/actuator cable

1406177

<https://www.phoenixcontact.com/us/products/1406177>

Schematic diagram



Pin assignment M12 plug, 4-pos., A-coded, view plug side

Circuit diagram



Contact assignment of the M12 plug

# SAC-4P-M12MS/10,0-542 SH BK - Sensor/actuator cable



1406177

<https://www.phoenixcontact.com/us/products/1406177>

## Approvals

To download certificates, visit the product detail page: <https://www.phoenixcontact.com/us/products/1406177>

 <b>UL Listed</b> Approval ID: FILE E 221474				
	Nominal voltage $U_N$	Nominal current $I_N$	Cross section AWG	Cross section $\text{mm}^2$
keine				
	300 V	4 A	-	-

 <b>cUL Listed</b> Approval ID: FILE E 221474				
	Nominal voltage $U_N$	Nominal current $I_N$	Cross section AWG	Cross section $\text{mm}^2$
keine				
	300 V	4 A	-	-

# SAC-4P-M12MS/10,0-542 SH BK - Sensor/actuator cable



1406177

<https://www.phoenixcontact.com/us/products/1406177>

## Classifications

### ECLASS

ECLASS-13.0	27060311
ECLASS-15.0	27060311

### ETIM

ETIM 10.0	EC001855
-----------	----------

### UNSPSC

UNSPSC 21.0	26121600
-------------	----------

# SAC-4P-M12MS/10,0-542 SH BK - Sensor/actuator cable



1406177

<https://www.phoenixcontact.com/us/products/1406177>

## Environmental product compliance

### EU RoHS

Fulfills EU RoHS substance requirements	Yes, No exemptions
---	--------------------

### China RoHS

Environment friendly use period (EFUP)	EFUP-E
	No hazardous substances above the limits

### EU REACH SVHC

REACH candidate substance (CAS No.)	No substance above 0.1 wt%
-------------------------------------	----------------------------

### EF3.1 Climate Change

CO2e kg	5.057 kg CO2e
---------	---------------

Phoenix Contact 2026 © - all rights reserved  
<https://www.phoenixcontact.com>

Phoenix Contact USA  
586 Fulling Mill Road  
Middletown, PA 17057, United States  
(+717) 944-1300  
[info@phoenixcon.com](mailto:info@phoenixcon.com)