

NBC-M12MS/ 2,0-94B US - Network cable



1406121

<https://www.phoenixcontact.com/us/products/1406121>

Please be informed that the data shown in this PDF document is generated from our online catalog. Please find the complete data in the user documentation. Our general terms of use for downloads are valid.



Network cable, Ethernet CAT5 (1 Gbps), 8-position, PUR halogen-free, water blue RAL 5021, shielded, Plug straight M12, coding: A / IP67, on free cable end, cable length: 2 m

Commercial data

| | |
|--------------------------------------|---------------|
| Item number | 1406121 |
| Packing unit | 1 pc |
| Minimum order quantity | 1 pc |
| Sales key | BF15 |
| Product key | AF1IHB |
| GTIN | 4046356799287 |
| Weight per piece (including packing) | 114 g |
| Weight per piece (excluding packing) | 110.8 g |
| Customs tariff number | 85444290 |
| Country of origin | US |

1406121

<https://www.phoenixcontact.com/us/products/1406121>

Technical data

Product properties

| | |
|---------------------|-------------------------|
| Product type | Data cable preassembled |
| Application | Standard, U.S. cables |
| Number of positions | 8 |
| Shielded | yes |
| Coding | A |

Interfaces

| | |
|----------------------|--|
| Bus system | Ethernet |
| Signal type/category | Ethernet CAT5 (based on IEC 11801), 1 Gbps |

Signaling

| | |
|------------------------|----|
| Status display | no |
| Status display present | no |

Electrical properties

| | |
|---|-----------------------|
| Nominal voltage U_N | 48 V AC |
| | 60 V DC |
| Nominal current I_N | 2 A |
| Transmission medium | Copper |
| Transmission speed | 1 Gbps |
| Transmission characteristics (category) | CAT5 (IEC 11801:2002) |

Connector

Connection 1

| | |
|----------------------|---|
| Type | Plug straight M12 / IP67 |
| Coding type | A (Standard) |
| Material | CuZn (Contact) |
| | Ni/Au (Contact surface) |
| | TPU GF (Contact carrier) |
| | TPU, hardly inflammable, self-extinguishing (Grip body) |
| | Zinc die-cast, nickel-plated (Screw connection) |
| Degree of protection | IP67 |

Connection 2

| | |
|------|----------------|
| Type | free cable end |
|------|----------------|

Cable/line

| | |
|--------------|-----|
| Cable length | 2 m |
|--------------|-----|

Ethernet flexible CAT5, 4-pair [94B]

NBC-M12MS/ 2,0-94B US - Network cable



1406121

<https://www.phoenixcontact.com/us/products/1406121>

| | |
|---|--|
| Dimensional drawing |  |
| Cable weight | 47 kg/km |
| UL AWM Style | 20963 (80°C/30 V) |
| Number of positions | 8 |
| Shielded | yes |
| Cable type | Ethernet flexible CAT5, 4-pair [94B] |
| Conductor structure | 4x2xAWG26/7, SF/UTP |
| Signal runtime | 5.3 ns/m |
| Conductor structure signal line | 7x 0.16 mm |
| AWG signal line | 26 |
| Conductor cross-section | 4x 2x 0.14 mm ² |
| Wire diameter incl. insulation | 0.96 mm |
| External cable diameter | 6.40 mm ±0.2 mm |
| Outer sheath, material | PUR |
| External sheath, color | water blue RAL 5021 |
| Conductor material | Bare Cu litz wires |
| Material wire insulation | Foamed PE |
| Single wire, color | white/blue-blue, white/orange-orange, white/green-green, white/brown-brown |
| Thickness, outer sheath | 1.05 mm |
| Twisted pairs | 2 cores to the pair |
| Overall twist | 4 pairs for core |
| Optical shield covering | 70 % |
| Insulation resistance | ≥ 5 GΩ*km |
| Coupling resistance | ≤ 100.00 mΩ/m (at 10 MHz) |
| Loop resistance | ≤ 290.00 Ω/km |
| Wave impedance | 100 Ω ±5 Ω (at 100 MHz) |
| Cable capacity | 48 nF/km (at 1 kHz) |
| Nominal voltage, cable | ≤ 100 V |
| Test voltage Core/Core | 700 V (50 Hz, 1 min.) |
| Test voltage Core/Shield | 700.00 V (50 Hz, 1 min.) |
| Minimum bending radius, fixed installation | 4 x D |
| Minimum bending radius, flexible installation | 8 x D |
| Smallest bending radius, fixed installation | 26 mm |
| Smallest bending radius, movable installation | 52 mm |
| Tensile strength | ≤ 100 N |
| | 71.3 dB (with 1 MHz) |

NBC-M12MS/ 2,0-94B US - Network cable



1406121

<https://www.phoenixcontact.com/us/products/1406121>

| | |
|--|---|
| Near end crosstalk attenuation (NEXT) | 62.3 dB (at 4 MHz) |
| | 56.3 dB (at 10 MHz) |
| | 53.2 dB (at 16 MHz) |
| | 51.8 dB (at 20 MHz) |
| | 48.9 dB (at 31.25 MHz) |
| | 44.4 dB (at 62.5 MHz) |
| | 41.3 dB (at 100 MHz) |
| Power-summated near end crosstalk attenuation (PSNEXT) | 62.3 dB (with 1 MHz) |
| | 53.3 dB (at 4 MHz) |
| | 47.3 dB (at 10 MHz) |
| | 44.2 dB (at 16 MHz) |
| | 42.8 dB (at 20 MHz) |
| | 39.9 dB (at 31.25 MHz) |
| | 35.4 dB (at 62.5 MHz) |
| Return attenuation (RL) | 32.3 dB (at 100 MHz) |
| | 23 dB (at 4 MHz) |
| | 24.1 dB (at 8 MHz) |
| | 25 dB (at 10 MHz) |
| | 25 dB (at 16 MHz) |
| | 25 dB (at 20 MHz) |
| | 23.6 dB (at 31.25 MHz) |
| | 21.5 dB (at 62.5 MHz) |
| Shield attenuation | 20.1 dB (at 100 MHz) |
| | 3.2 dB (with 1 MHz) |
| | 6 dB (at 4 MHz) |
| | 9.5 dB (at 10 MHz) |
| | 12.1 dB (at 16 MHz) |
| | 13.6 dB (at 20 MHz) |
| | 17.1 dB (at 31.25 MHz) |
| | 24.8 dB (at 62.5 MHz) |
| 32 dB (at 100 MHz) | |
| Halogen-free | according to IEC 60754-1 |
| Flame resistance | according to IEC 60332-1-2 |
| Resistance to oil | in accordance with EN 60811-2-1 |
| Ambient temperature (operation) | -40 °C ... 80 °C (cable, fixed installation) |
| | -20 °C ... 80 °C (Cable, flexible installation) |
| Ambient temperature (installation) | -20 °C ... 80 °C |

Environmental and real-life conditions

Ambient conditions

| | |
|----------------------|-----------|
| Degree of protection | IP65 |
| | IP67 |
| | IP65/IP67 |

NBC-M12MS/ 2,0-94B US - Network cable



1406121

<https://www.phoenixcontact.com/us/products/1406121>

| | |
|---|----------------------------------|
| Ambient temperature (operation) (male connector/female connector) | -25 °C ... 85 °C (M12 connector) |
|---|----------------------------------|

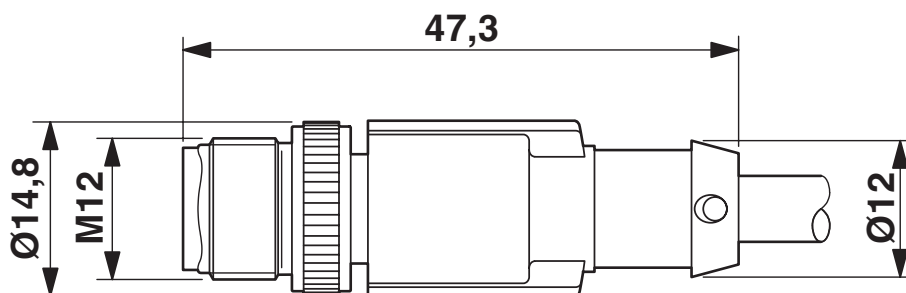
Standards and regulations

M12

| | |
|--------------------------|-----------------|
| Standard designation | M12 connector |
| Standards/specifications | IEC 61076-2-101 |

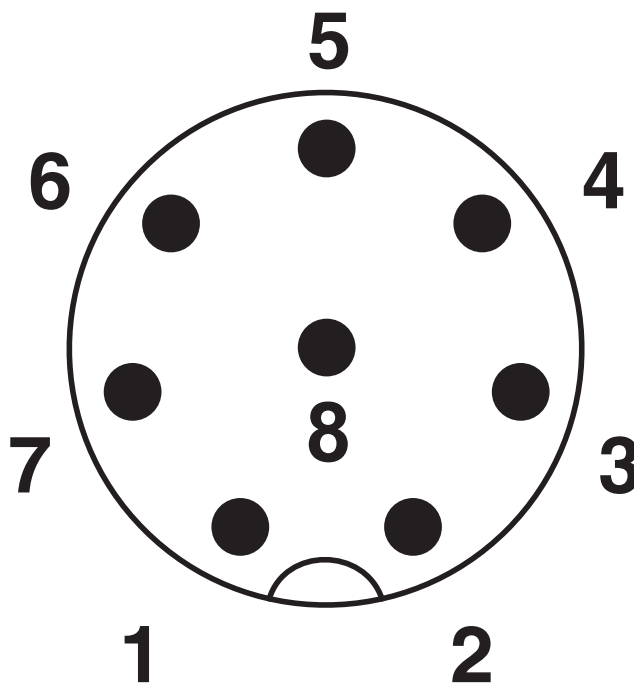
Drawings

Dimensional drawing



Plug, M12 x 1, straight, shielded

Schematic diagram



Pin assignment M12 plug, 8-pos., A-coded, view plug side

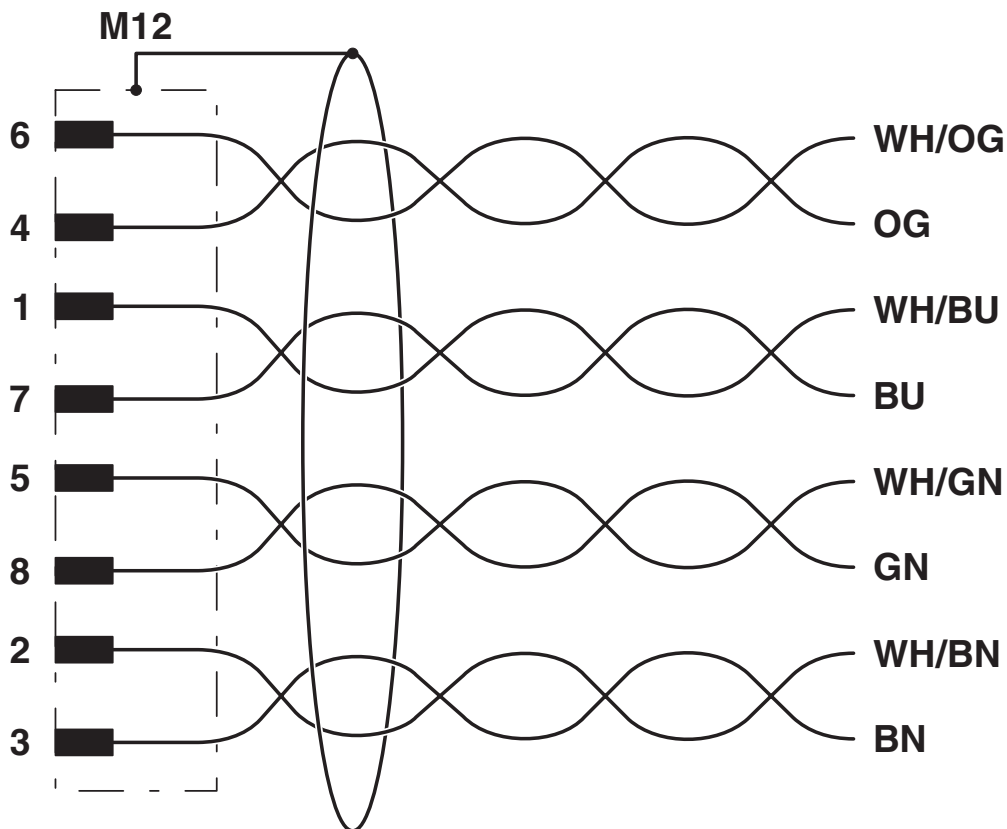
NBC-M12MS/ 2,0-94B US - Network cable



1406121

<https://www.phoenixcontact.com/us/products/1406121>

Circuit diagram



Contact assignment of the M12 plug

NBC-M12MS/ 2,0-94B US - Network cable



1406121

<https://www.phoenixcontact.com/us/products/1406121>

Approvals

To download certificates, visit the product detail page: <https://www.phoenixcontact.com/us/products/1406121>

|  UL Recognized Approval ID: FILE E 335024 | | | | |
|--|-----------------------|-----------------------|-------------------|-----------------------------|
| | Nominal voltage U_N | Nominal current I_N | Cross section AWG | Cross section mm^2 |
| keine | | | | |
| | 30 V | 1.5 A | - | - |

|  EAC-RoHS Approval ID: RU D-DE.HB35.B.00387 | |
|--|--|
|--|--|

NBC-M12MS/ 2,0-94B US - Network cable



1406121

<https://www.phoenixcontact.com/us/products/1406121>

Classifications

ECLASS

| | |
|-------------|----------|
| ECLASS-13.0 | 27060307 |
| ECLASS-15.0 | 27060307 |

UNSPSC

| | |
|-------------|----------|
| UNSPSC 21.0 | 26121600 |
|-------------|----------|

1406121

<https://www.phoenixcontact.com/us/products/1406121>

Environmental product compliance

EU RoHS

| | |
|---|--------------------|
| Fulfills EU RoHS substance requirements | Yes, No exemptions |
|---|--------------------|

China RoHS

| | |
|--|--|
| Environment friendly use period (EFUP) | EFUP-E |
| | No hazardous substances above the limits |

EU REACH SVHC

| | |
|-------------------------------------|----------------------------|
| REACH candidate substance (CAS No.) | No substance above 0.1 wt% |
|-------------------------------------|----------------------------|

EF3.1 Climate Change

| | |
|---------|---------------|
| CO2e kg | 2.069 kg CO2e |
|---------|---------------|

Phoenix Contact 2026 © - all rights reserved
<https://www.phoenixcontact.com>

Phoenix Contact USA
586 Fulling Mill Road
Middletown, PA 17057, United States
(+717) 944-1300
info@phoenixcon.com