

SAC-4P-MS/1,5-542/M8FRSH SCOBK - Sensor/actuator cable



1405995

<https://www.phoenixcontact.com/us/products/1405995>

Please be informed that the data shown in this PDF document is generated from our online catalog. Please find the complete data in the user documentation. Our general terms of use for downloads are valid.



Sensor/actuator cable, 4-position, PVC, yellow, shielded, Plug straight M12, coding: A, on Socket angled M8, cable length: 1.5 m

Commercial data

| | |
|--------------------------------------|--------------------------------|
| Item number | 1405995 |
| Packing unit | 1 pc |
| Minimum order quantity | 1 pc |
| Note | Made to order (non-returnable) |
| Sales key | BF13 |
| Product key | AF1IDB |
| GTIN | 4046356800341 |
| Weight per piece (including packing) | 79.5 g |
| Weight per piece (excluding packing) | 75 g |
| Customs tariff number | 85444290 |
| Country of origin | US |

SAC-4P-MS/1,5-542/M8FRSH SCOBK - Sensor/actuator cable



1405995

<https://www.phoenixcontact.com/us/products/1405995>

Technical data

Product properties

| | |
|----------------------|-----------------------|
| Product type | Sensor/actuator cable |
| Application | Standard, U.S. cables |
| Number of positions | 4 |
| No. of cable outlets | 1 |
| Shielded | yes |
| Coding | A |

Insulation characteristics

| | |
|----------------------|----|
| Overvoltage category | II |
| Degree of pollution | 3 |

Material specifications

| | |
|--|---|
| Flammability rating according to UL 94 | HB |
| Seal material | NBR |
| Material of grip body | TPU, hardly inflammable, self-extinguishing |
| Contact material | CuSn |
| Contact surface material | Ni/Au |
| Contact carrier material | TPU GF |
| Material for screw connection | Zinc die-cast, nickel-plated |
| Outer sheath, material | PVC |

Electrical properties

| | |
|-----------------------|----------------------------|
| Insulation resistance | $\geq 100 \text{ M}\Omega$ |
| Nominal voltage U_N | 48 V AC |
| | 60 V DC |
| Nominal current I_N | 4 A |

Mechanical properties

Mechanical data

| | |
|-----------------------------|------------|
| Insertion/withdrawal cycles | ≥ 100 |
|-----------------------------|------------|

Signaling

| | |
|------------------------|----|
| Status display | no |
| Status display present | no |

Connection data

Conductor connection

| | |
|-------------------|------------------------|
| Tightening torque | 0.4 Nm (M12 connector) |
| | 0.2 Nm (M8 connectors) |

SAC-4P-MS/1,5-542/M8FRSH SCOBK - Sensor/actuator cable

1405995

<https://www.phoenixcontact.com/us/products/1405995>

Connector

Connection 1

| | |
|---------------------|-------------------|
| Type | Plug straight M12 |
| Number of positions | 4 |
| Coding type | A |

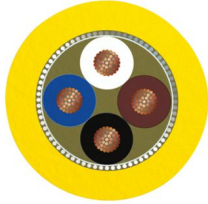
Connection 2

| | |
|---------------------|------------------|
| Type | Socket angled M8 |
| Number of positions | 4 |

Cable/line

| | |
|--------------|-------|
| Cable length | 1.5 m |
|--------------|-------|

PVC yellow 105 °C [542]

| | |
|---|---|
| Dimensional drawing |  |
| Cable weight | 37 kg/km |
| UL AWM Style | 2517 (105 °C / 300 V) |
| Number of positions | 4 |
| Shielded | yes |
| Cable type | PVC yellow 105 °C [542] |
| Conductor structure signal line | 7x 0.20 mm |
| AWG signal line | 24 |
| Wire diameter incl. insulation | 1.12 mm ±0.03 mm |
| External cable diameter | 4.90 mm ±0.2 mm |
| Outer sheath, material | PVC |
| External sheath, color | yellow |
| Conductor material | Tin-plated Cu litz wires |
| Material wire insulation | PVC |
| Single wire, color | brown, blue, black, white |
| Overall twist | 4 wires, twisted |
| Optical shield covering | 85 % |
| Max. conductor resistance | max. 79.7 Ω/km (20 °C) |
| Insulation resistance | ≥ (550 M Ohms/m @ 500V) |
| Nominal voltage, cable | 300 V |
| Minimum bending radius, flexible installation | 12 x D |
| Smallest bending radius, movable installation | 59 mm |

SAC-4P-MS/1,5-542/M8FRSH SCOBK - Sensor/actuator cable



1405995

<https://www.phoenixcontact.com/us/products/1405995>

| | |
|---------------------------------|---|
| Flame resistance | FT4 |
| Other resistance | UV resistant |
| Ambient temperature (operation) | -30 °C ... 105 °C (cable, fixed installation) |

Environmental and real-life conditions

Ambient conditions

| | |
|---|----------------------------------|
| Degree of protection | IP65 |
| | IP67 |
| Ambient temperature (operation) (male connector/female connector) | -25 °C ... 90 °C (Plug / socket) |

Standards and regulations

| | |
|--------------------------|-----------------|
| Standard designation | M12 connector |
| Standards/specifications | IEC 61076-2-101 |
| Standard designation | M8 connector |
| Standards/specifications | IEC 61076-2-104 |

SAC-4P-MS/1,5-542/M8FRSH SCOBK - Sensor/actuator cable

1405995

<https://www.phoenixcontact.com/us/products/1405995>

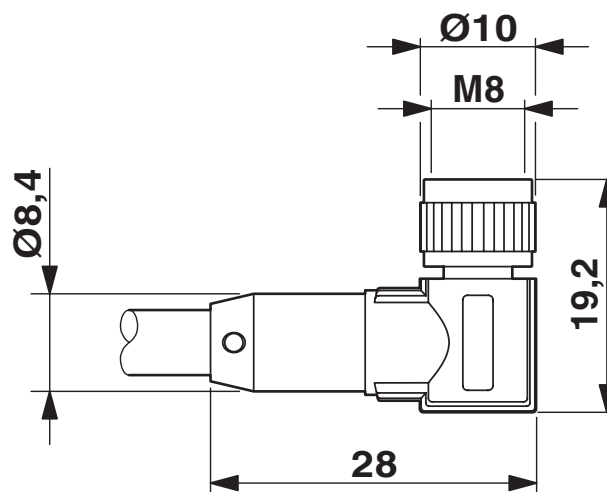
Drawings

Dimensional drawing



Plug, M12 x 1, straight, shielded

Dimensional drawing



Socket M8 x 1, angled, shielded

SAC-4P-MS/1,5-542/M8FRSH SCOBK - Sensor/actuator cable

1405995

<https://www.phoenixcontact.com/us/products/1405995>

Schematic diagram



Pin assignment M12 plug, 4-pos., A-coded, view plug side

SAC-4P-MS/1,5-542/M8FRSH SCOBK - Sensor/actuator cable

1405995

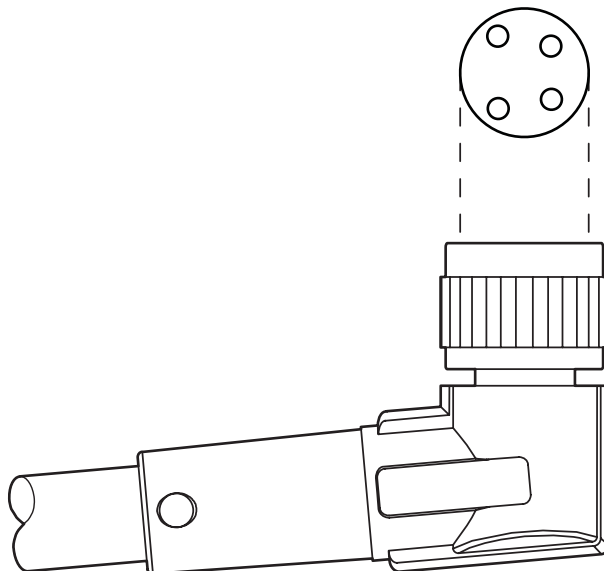
<https://www.phoenixcontact.com/us/products/1405995>

Schematic diagram



Pin assignment M8 socket, 4-pos., view female side

Schematic diagram



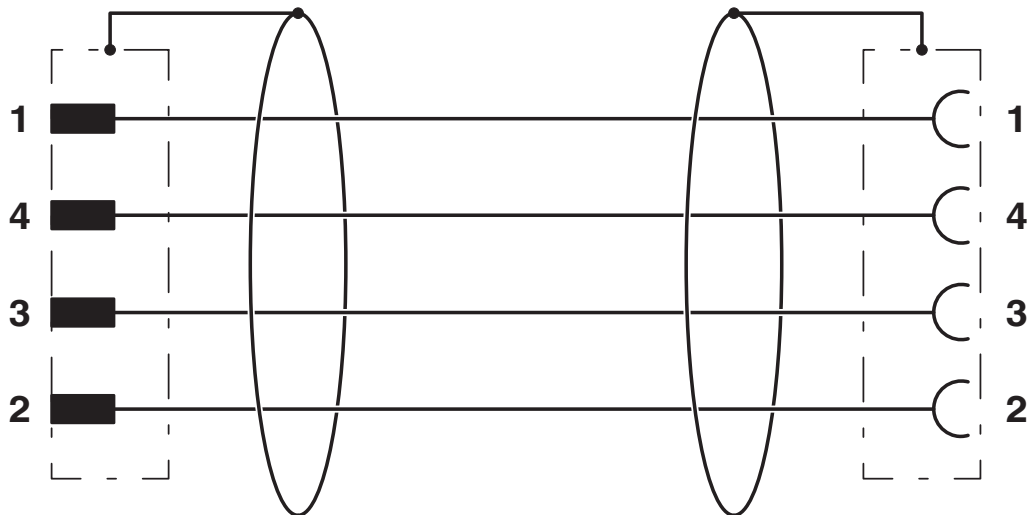
Layout of connector pin assignments

SAC-4P-MS/1,5-542/M8FRSH SCOBK - Sensor/actuator cable

1405995

<https://www.phoenixcontact.com/us/products/1405995>

Circuit diagram



Contact assignment of M12 plugs / M8 sockets

SAC-4P-MS/1,5-542/M8FRSH SCOBK - Sensor/actuator cable



1405995

<https://www.phoenixcontact.com/us/products/1405995>

Approvals

To download certificates, visit the product detail page: <https://www.phoenixcontact.com/us/products/1405995>

|  UL Listed Approval ID: FILE E 221474 | | | | |
|--|-----------------------|-----------------------|-------------------|-----------------------------|
| | Nominal voltage U_N | Nominal current I_N | Cross section AWG | Cross section mm^2 |
| keine | | | | |
| | 125 V | 4 A | - | - |

|  cUL Listed Approval ID: FILE E 221474 | | | | |
|---|-----------------------|-----------------------|-------------------|-----------------------------|
| | Nominal voltage U_N | Nominal current I_N | Cross section AWG | Cross section mm^2 |
| keine | | | | |
| | 125 V | 4 A | - | - |

|  EAC-RoHS Approval ID: RU D-DE.HB35.B.00387 | |
|--|--|
|--|--|

SAC-4P-MS/1,5-542/M8FRSH SCOBK - Sensor/actuator cable



1405995

<https://www.phoenixcontact.com/us/products/1405995>

Classifications

ECLASS

| | |
|-------------|----------|
| ECLASS-13.0 | 27060311 |
| ECLASS-15.0 | 27060311 |

ETIM

| | |
|-----------|----------|
| ETIM 10.0 | EC001855 |
|-----------|----------|

UNSPSC

| | |
|-------------|----------|
| UNSPSC 21.0 | 26121600 |
|-------------|----------|

SAC-4P-MS/1,5-542/M8FRSH SCOBK - Sensor/actuator cable



1405995

<https://www.phoenixcontact.com/us/products/1405995>

Environmental product compliance

EU RoHS

| | |
|---|------|
| Fulfills EU RoHS substance requirements | Yes |
| Exemption | 6(c) |

China RoHS

| | |
|--|---|
| Environment friendly use period (EFUP) | EFUP-50 |
| | An article-related China RoHS declaration table can be found in the download area for the respective article under "Manufacturer declaration". For all articles with EFUP-E, no China RoHS declaration table issued and required. |

EU REACH SVHC

| | |
|-------------------------------------|--------------------------------------|
| REACH candidate substance (CAS No.) | Lead(CAS: 7439-92-1) |
| SCIP | 5bf60f28-f251-4211-8794-7b9095daf14e |

Phoenix Contact 2026 © - all rights reserved
<https://www.phoenixcontact.com>

Phoenix Contact USA
586 Fulling Mill Road
Middletown, PA 17057, United States
(+717) 944-1300
info@phoenixcon.com