

# SAC-ASI-J-Y-Y-N - Distributor



1405622

<https://www.phoenixcontact.com/us/products/1405622>

Please be informed that the data shown in this PDF document is generated from our online catalog. Please find the complete data in the user documentation. Our general terms of use for downloads are valid.



AS-Interface H-distributor with a high degree of protection, parallel wired, for the distribution of AS-Interface flat-ribbon conductors

## Commercial data

Item number	1405622
Packing unit	1 pc
Minimum order quantity	1 pc
Sales key	BF10
Product key	AF1GFA
GTIN	4046356754934
Weight per piece (including packing)	41.6 g
Weight per piece (excluding packing)	39.5 g
Customs tariff number	85366990
Country of origin	VN

1405622

<https://www.phoenixcontact.com/us/products/1405622>

## Technical data

### Product properties

Product type	Network distributor box
Number of positions	4

### Insulation characteristics

Overvoltage category	III
Degree of pollution	3

### Electrical properties

Nominal voltage $U_N$	$\leq 32$ V DC
Nominal current $I_N$	8 A
Transmission medium	Copper

### Connection data

#### Connection technology

Connection method	AS-i penetration technique
-------------------	----------------------------

### Interfaces

Bus system	AS-Interface
------------	--------------

### Signaling

Status display	no
Status display present	no

### Material specifications

Material Housing	PBT
------------------	-----

### Connector

#### Connection 1

Type	Load center AS-i Screw locking
Number of positions	4
Locking type	Screw locking mechanism
Material	CuSn (Contact)
	Ni/Au (Contact surface)
	PBT (Contact carrier)
	PBT (Housing)
	Stainless steel (Screw connection)
Tightening torque	1.65 Nm (Locking screw)

### Environmental and real-life conditions

#### Ambient conditions

# SAC-ASI-J-Y-Y-N - Distributor



1405622

<https://www.phoenixcontact.com/us/products/1405622>

Degree of protection	IP65
	IP67
	IP69K
Ambient temperature (operation) (male connector/female connector)	-25 °C ... 75 °C
Ambient temperature (storage/transport)	-25 °C ... 85 °C

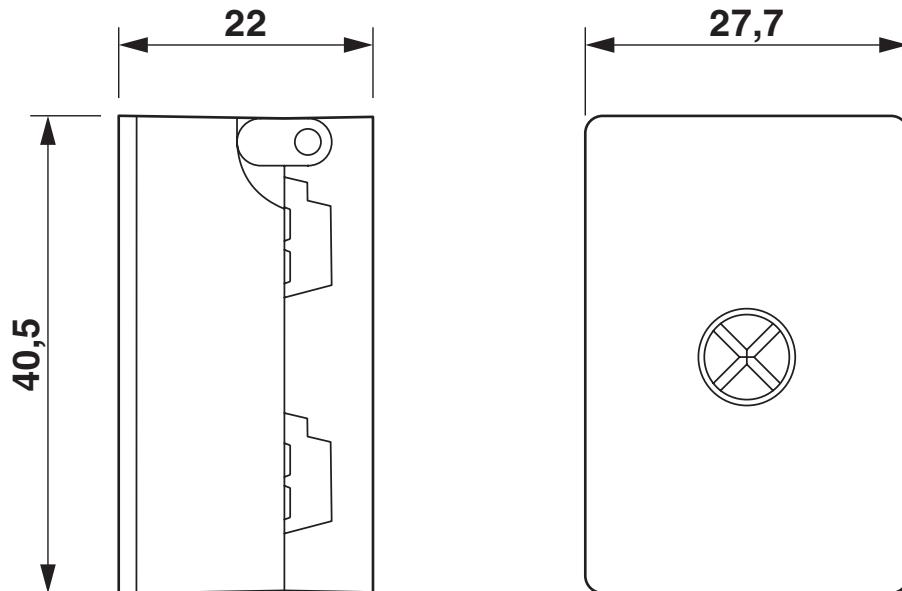
# SAC-ASI-J-Y-Y-N - Distributor

1405622

<https://www.phoenixcontact.com/us/products/1405622>

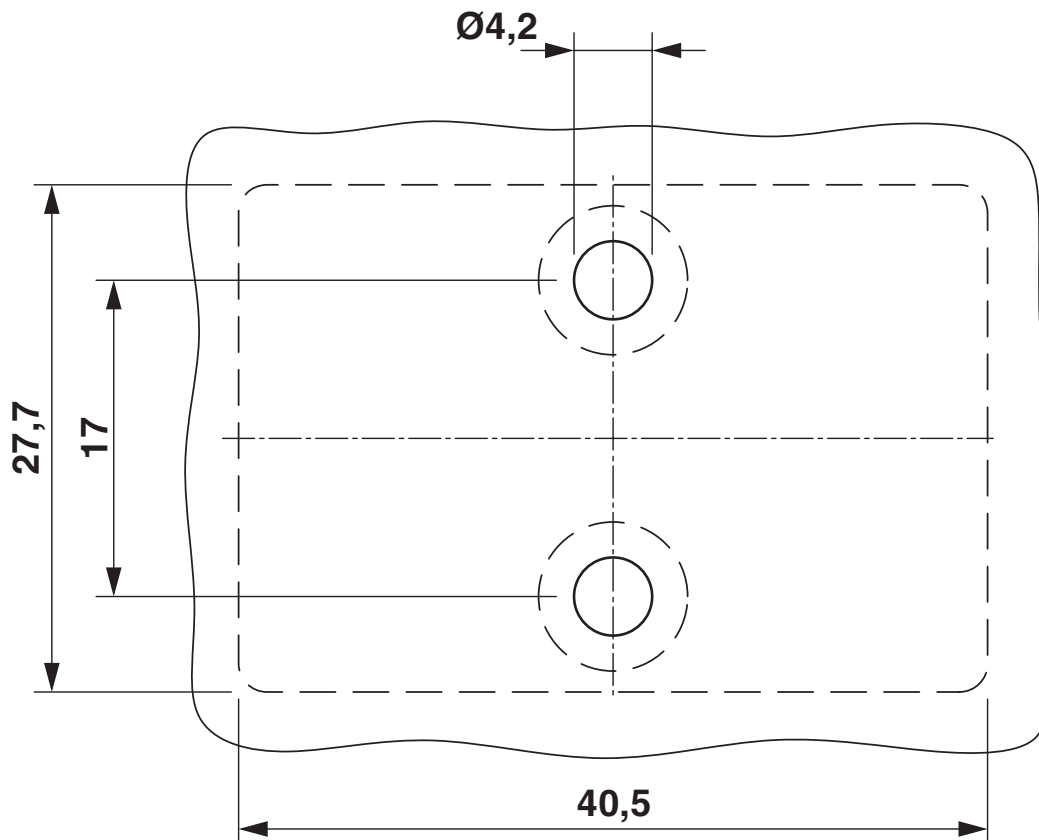
## Drawings

Dimensional drawing



Distributor, AS-Interface

Dimensional drawing

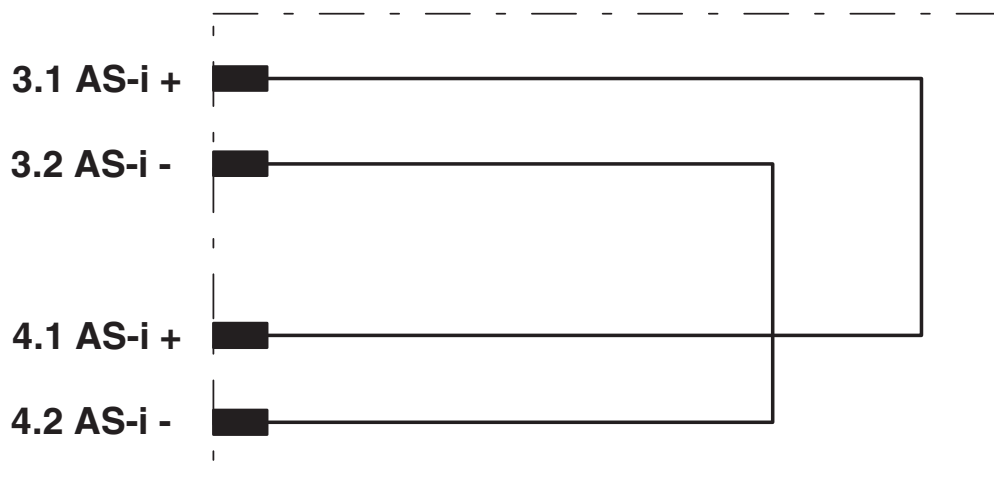


Distance and position of the mounting holes

1405622

<https://www.phoenixcontact.com/us/products/1405622>

Circuit diagram



Contact assignment of the AS-Interface distributor

# SAC-ASI-J-Y-Y-N - Distributor



1405622

<https://www.phoenixcontact.com/us/products/1405622>

## Classifications

### ECLASS

ECLASS-13.0	27440106
ECLASS-15.0	27440106

### ETIM

ETIM 10.0	EC002925
-----------	----------

### UNSPSC

UNSPSC 21.0	31251500
-------------	----------

1405622

<https://www.phoenixcontact.com/us/products/1405622>

## Environmental product compliance

### EU RoHS

Fulfills EU RoHS substance requirements	Yes, No exemptions
---	--------------------

### China RoHS

Environment friendly use period (EFUP)	EFUP-E
	No hazardous substances above the limits

### EU REACH SVHC

REACH candidate substance (CAS No.)	No substance above 0.1 wt%
-------------------------------------	----------------------------

### EF3.1 Climate Change

CO2e kg	2.378 kg CO2e
---------	---------------

Phoenix Contact 2026 © - all rights reserved  
<https://www.phoenixcontact.com>

Phoenix Contact USA  
586 Fulling Mill Road  
Middletown, PA 17057, United States  
(+717) 944-1300  
[info@phoenixcon.com](mailto:info@phoenixcon.com)