

SAC-ASI-J-Y-B-M12FS - Distributor



1405621

<https://www.phoenixcontact.com/us/products/1405621>

Please be informed that the data shown in this PDF document is generated from our online catalog. Please find the complete data in the user documentation. Our general terms of use for downloads are valid.



AS-Interface distributor with a high degree of protection, for a branch from two flat-ribbon conductors to one straight, A-coded, 4-pos. M12 socket

Commercial data

Item number	1405621
Packing unit	1 pc
Minimum order quantity	1 pc
Sales key	BF10
Product key	AF1GFA
GTIN	4046356754941
Weight per piece (including packing)	48 g
Weight per piece (excluding packing)	45.1 g
Customs tariff number	85366990
Country of origin	VN

1405621

<https://www.phoenixcontact.com/us/products/1405621>

Technical data

Product properties

Product type	Network distributor box
Number of positions	4
Coding	A

Insulation characteristics

Overvoltage category	III
Degree of pollution	3

Electrical properties

Nominal voltage U_N	≤ 32 V DC
Nominal current I_N	4 A
Transmission medium	Copper

Connection data

Connection technology

Connection method	AS-i penetration technique
-------------------	----------------------------

Connection assignment

Contact Color (signal designation) Contact (optional)	1 (M12 socket) (AS-i+) 3.1 (AS-i distributors)
	2 (M12 socket) (AUX-) 4.2 (AS-i distributors)
	3 (M12 socket) (AS-i-) 3.2 (AS-i distributors)
	4 (M12 socket) (AUX+) 4.1 (AS-i distributors)
	5 (M12 socket) N.C.

Interfaces

Bus system	AS-Interface
------------	--------------

Signaling

Status display	no
Status display present	no

Connector

Connection 1

Type	Load center AS-i Screw locking
Number of positions	4
Locking type	Screw locking mechanism
Material	CuSn (Contact)
	Ni/Au (Contact surface)
	PBT (Contact carrier)
	PBT (Housing)
	Stainless steel (Screw connection)

SAC-ASI-J-Y-B-M12FS - Distributor



1405621

<https://www.phoenixcontact.com/us/products/1405621>

Tightening torque	1.65 Nm (Locking screw)
-------------------	-------------------------

Connection 2

Type	Socket straight M12
Number of positions	4 (5)
Material	CuSn (Contact)
	Ni/Au (Contact surface)
	TPE-U (Contact carrier)
	Zinc die-cast, nickel-plated (Screw connection)
Insertion/withdrawal cycles	≥ 100
Tightening torque	0.4 Nm

Environmental and real-life conditions

Ambient conditions

Degree of protection	IP65
	IP67
Ambient temperature (operation) (male connector/female connector)	-25 °C ... 75 °C
Ambient temperature (storage/transport)	-25 °C ... 85 °C

Standards and regulations

Standard designation	M12 connector
Standards/specifications	IEC 61076-2-101

SAC-ASI-J-Y-B-M12FS - Distributor

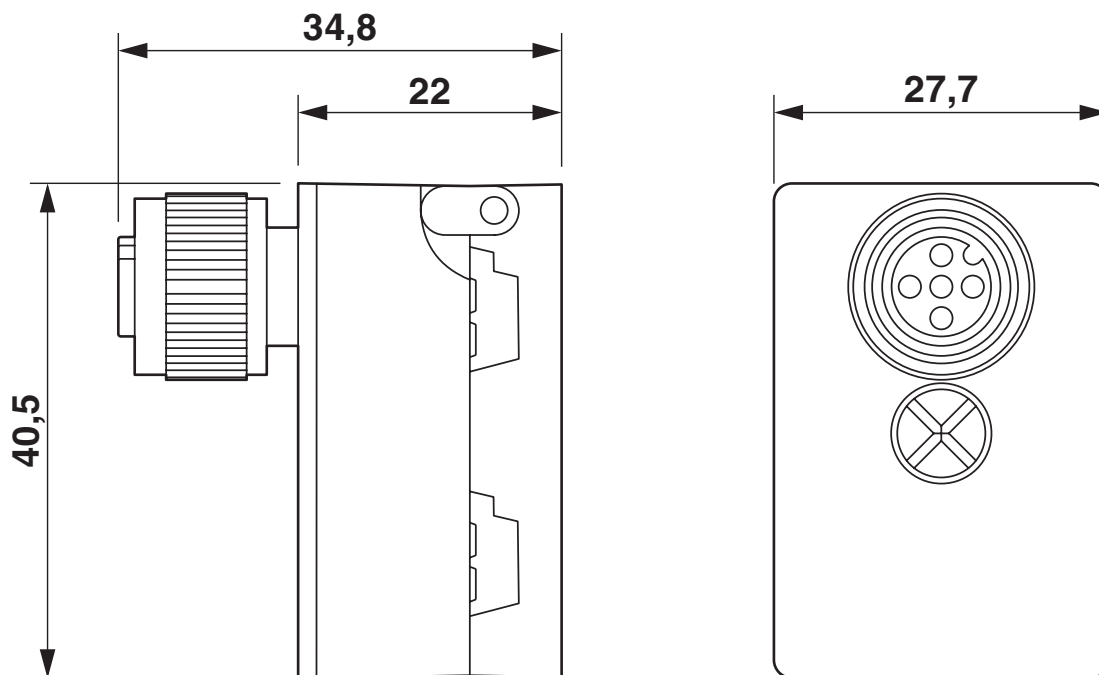


1405621

<https://www.phoenixcontact.com/us/products/1405621>

Drawings

Dimensional drawing



Distributor, AS-Interface

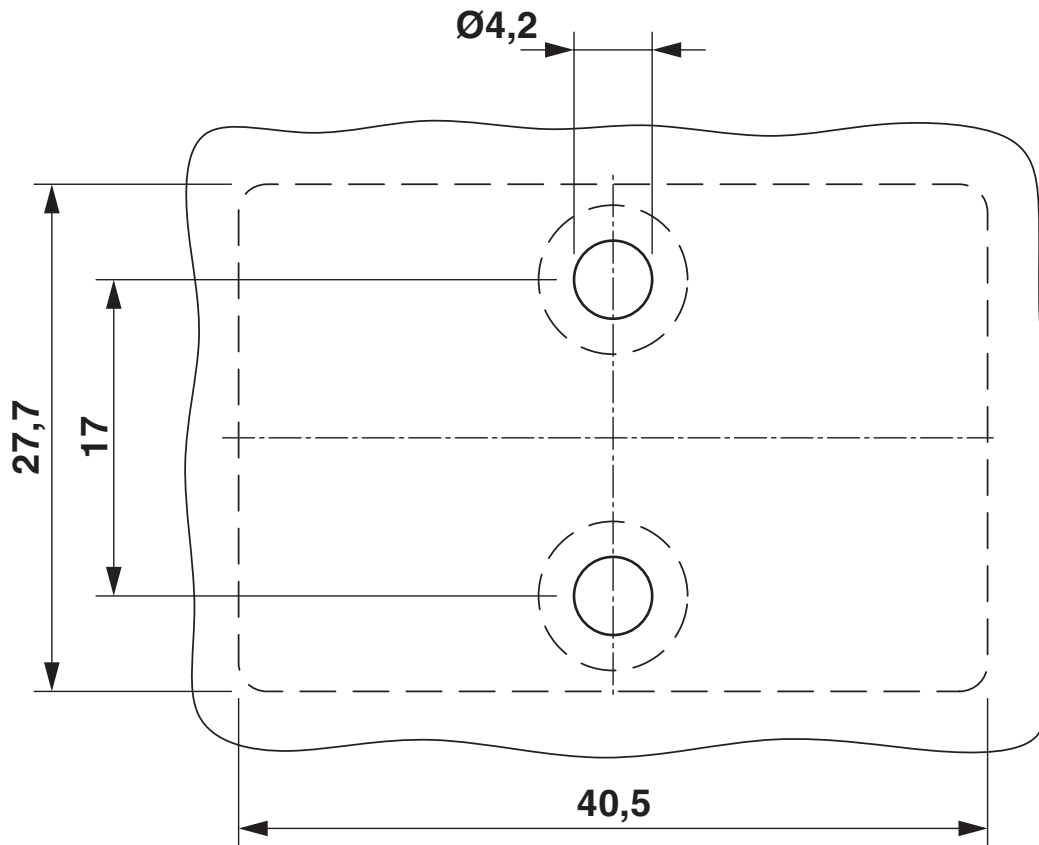
SAC-ASI-J-Y-B-M12FS - Distributor



1405621

<https://www.phoenixcontact.com/us/products/1405621>

Dimensional drawing



Distance and position of the mounting holes

1405621

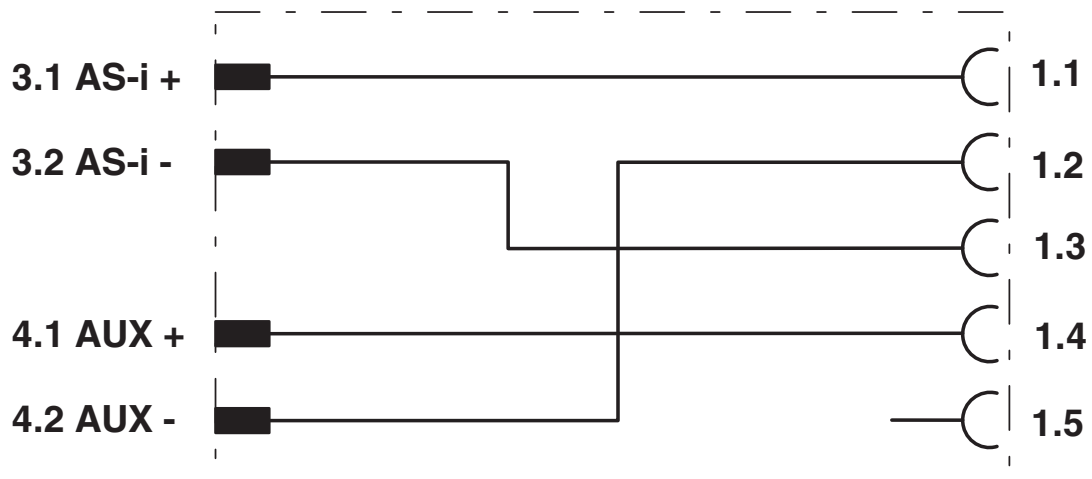
<https://www.phoenixcontact.com/us/products/1405621>

Schematic diagram



Pin assignment M12, PIN 1: AS-i +, PIN 2: AUX -, PIN 3: AS-i -, PIN 4: AUX +, PIN 5: Not used

Circuit diagram



Contact assignment of the AS-Interface distributor

SAC-ASI-J-Y-B-M12FS - Distributor



1405621

<https://www.phoenixcontact.com/us/products/1405621>

Classifications

ECLASS

ECLASS-13.0	27440106
ECLASS-15.0	27440106

ETIM

ETIM 10.0	EC002925
-----------	----------

UNSPSC

UNSPSC 21.0	31251500
-------------	----------

1405621

<https://www.phoenixcontact.com/us/products/1405621>

Environmental product compliance

EU RoHS

Fulfills EU RoHS substance requirements	Yes
Exemption	6(a), 6(a)-I, 6(b), 6(b)-II, 6(c)

China RoHS

Environment friendly use period (EFUP)	EFUP-E
	No hazardous substances above the limits

EU REACH SVHC

REACH candidate substance (CAS No.)	Lead(CAS: 7439-92-1)
SCIP	6341da11-639b-4ba5-b3ee-d05e9925beae

Phoenix Contact 2026 © - all rights reserved
<https://www.phoenixcontact.com>

Phoenix Contact USA
586 Fulling Mill Road
Middletown, PA 17057, United States
(+717) 944-1300
info@phoenixcon.com