

VS-PPC-F1-RJ45-MNNA-1C-FJJ - Panel-mount frame



1405332

<https://www.phoenixcontact.com/us/products/1405332>

Please be informed that the data shown in this PDF document is generated from our online catalog. Please find the complete data in the user documentation. Our general terms of use for downloads are valid.



RJ45 panel mounting frame, IP67, for push-pull interlocking, metal, with the Freenet system, for round panel cutout, with the RJ45 socket/socket socket insert, with seal, without mounting screws

Commercial data

Item number	1405332
Packing unit	1 pc
Minimum order quantity	1 pc
Sales key	AB17
Product key	ABNODB
GTIN	4046356420433
Weight per piece (including packing)	70.5 g
Weight per piece (excluding packing)	70.44 g
Customs tariff number	85366990
Country of origin	DE

VS-PPC-F1-RJ45-MNNA-1C-FJJ - Panel-mount frame



1405332

<https://www.phoenixcontact.com/us/products/1405332>

Technical data

Notes

General	This product corresponds to the PROFINET Cabling and Interconnection Technology Guideline for PROFINET regulations, version 2.00, order no: 2.252, Chapter 8.2 Connectors for Outside Environment (Balanced cabling) and chapter 13 Application specific Cabling and Interconnection Technology (AIDA)
---------	--

Product properties

Product type	Panel-mount frame
Application	Freenet system
Type	Version 14
Number of positions	8
Connection profile	RJ45
Number of slots	2

Insulation characteristics

Degree of pollution	2
---------------------	---

Electrical properties

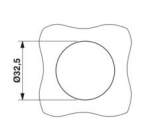
Rated voltage (III/3)	72 V (DC)
Transmission medium	Copper
Transmission characteristics (category)	CAT5 (IEC 11801:2002)

Connection data

Connection technology

Connection method	Push-Pull
-------------------	-----------

Dimensions

Dimensional drawing	
Width	38 mm
Height	42 mm
Length	68.9 mm

Material specifications

Color	silver
Material	Metal
Seal material	NBR
Seal material, flat gasket	NBR
Housing material	Metal

VS-PPC-F1-RJ45-MNNA-1C-FJJ - Panel-mount frame



1405332

<https://www.phoenixcontact.com/us/products/1405332>

Housing surface material	nickel-plated
Contact surface material	Au/Ni

Mechanical properties

Mechanical data

Insertion/withdrawal cycles	>= 100
-----------------------------	--------

Environmental and real-life conditions

Ambient conditions

Degree of protection	IP65/IP67
Ambient temperature (operation)	-40 °C ... 70 °C

Mounting

Mounting type	Panel mounting
---------------	----------------

VS-PPC-F1-RJ45-MNNA-1C-FJJ - Panel-mount frame

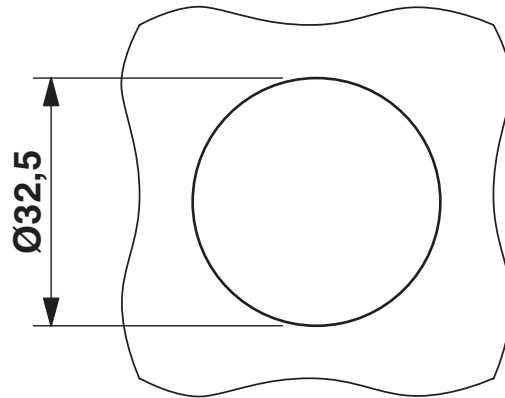


1405332

<https://www.phoenixcontact.com/us/products/1405332>

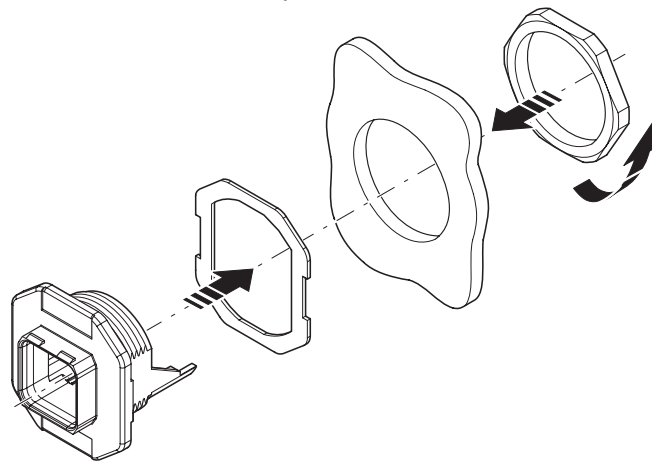
Drawings

Dimensional drawing



Mounting cutout

Exploded view

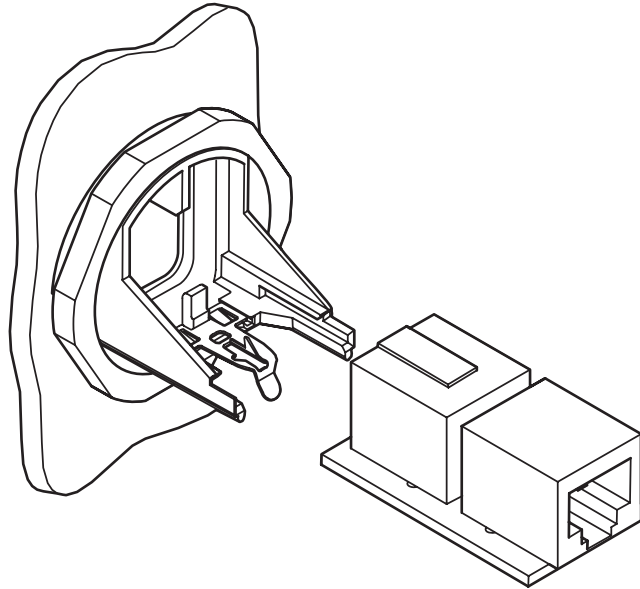


VS-PPC-F1-RJ45-MNNA-1C-FJJ - Panel-mount frame

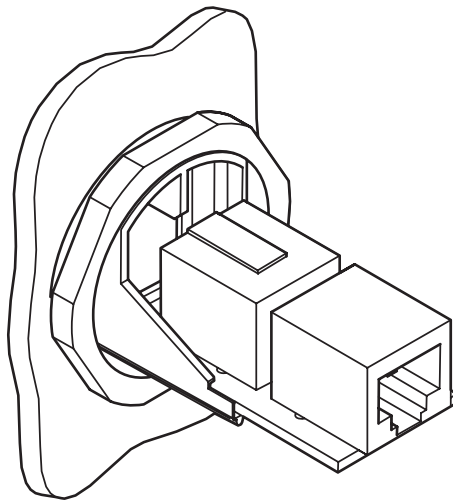
1405332

<https://www.phoenixcontact.com/us/products/1405332>

Schematic diagram



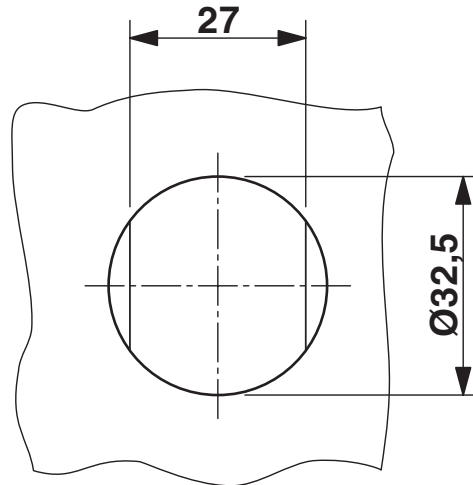
Schematic diagram



1405332

<https://www.phoenixcontact.com/us/products/1405332>

Drilling plan/solder pad geometry



Mounting cutout

1405332

<https://www.phoenixcontact.com/us/products/1405332>

Classifications

ECLASS

ECLASS-13.0	27440210
ECLASS-15.0	27440210

ETIM

ETIM 10.0	EC002310
-----------	----------

UNSPSC

UNSPSC 21.0	39121400
-------------	----------

1405332

<https://www.phoenixcontact.com/us/products/1405332>

Environmental product compliance

EU RoHS

Fulfills EU RoHS substance requirements	Yes, No exemptions
---	--------------------

China RoHS

Environment friendly use period (EFUP)	EFUP-E
	No hazardous substances above the limits

EU REACH SVHC

REACH candidate substance (CAS No.)	No substance above 0.1 wt%
-------------------------------------	----------------------------

Phoenix Contact 2026 © - all rights reserved
<https://www.phoenixcontact.com>

Phoenix Contact USA
586 Fulling Mill Road
Middletown, PA 17057, United States
(+717) 944-1300
info@phoenixcon.com