

# VS-PPC-F1-SCRJ-MNNA-1C-F - Panel-mount frame



1405235

<https://www.phoenixcontact.com/us/products/1405235>

Please be informed that the data shown in this PDF document is generated from our online catalog. Please find the complete data in the user documentation. Our general terms of use for downloads are valid.



Push-pull panel mounting frame, IP67, metal, with Freenet system, for round mounting cutout, with seal and SC-RJ coupling (for POF, PCF, and GOF)

## Commercial data

Item number	1405235
Packing unit	1 pc
Minimum order quantity	1 pc
Sales key	AB17
Product key	ABNODF
GTIN	4046356334785
Weight per piece (including packing)	61.7 g
Weight per piece (excluding packing)	60 g
Customs tariff number	85389099
Country of origin	DE

1405235

<https://www.phoenixcontact.com/us/products/1405235>

## Technical data

### Product properties

Product type	Panel-mount frame
Application	Freenet system
Type	SC-RJ
Number of positions	2
Connection profile	SC-RJ
Cable outlet	straight

### Insulation characteristics

Degree of pollution	2
---------------------	---

### Electrical properties

Transmission medium	FO
---------------------	----

### Connection data

#### Connection technology

Connection method	Push-Pull
-------------------	-----------

### Dimensions

#### Mechanical characteristics

Ferrule diameter	2.50 mm
------------------	---------

### Material specifications

Color	silver
Material	Metal
Flammability rating according to UL 94	V0
Housing material	Metal
Housing surface material	nickel-plated

### Cable/line

Resistance to oil	yes
Flame resistance	yes

#### FO cable

Number of fibers	2
Fiber	POF, PCF, GOF
Fiber type	GOF, PCF, POF
Transmission medium	FO

### Mechanical properties

#### Mechanical data

# VS-PPC-F1-SCRJ-MNNA-1C-F - Panel-mount frame



1405235

<https://www.phoenixcontact.com/us/products/1405235>

Insertion/withdrawal cycles	= 100
-----------------------------	-------

## Environmental and real-life conditions

### Ambient conditions

Degree of protection	IP67 (IP65/67) IP65/IP67
Ambient temperature (operation)	-40 °C ... 70 °C
Ambient temperature (storage/transport)	-40 °C ... 70 °C
Ambient temperature (assembly)	0 °C ... 50 °C
Resistance to oil	yes

## Standards and regulations

Flame resistance	yes
Resistance to oil	yes

## Mounting

Mounting type	Panel mounting
---------------	----------------

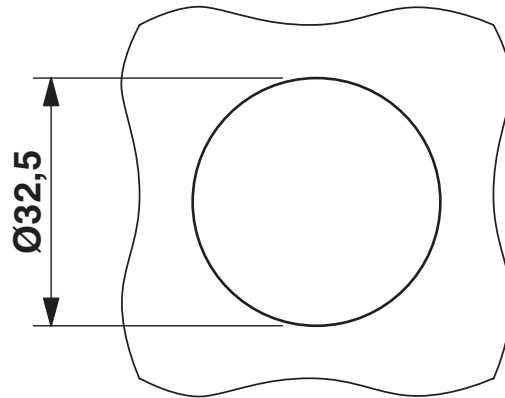
# VS-PPC-F1-SCRJ-MNNA-1C-F - Panel-mount frame

1405235

<https://www.phoenixcontact.com/us/products/1405235>

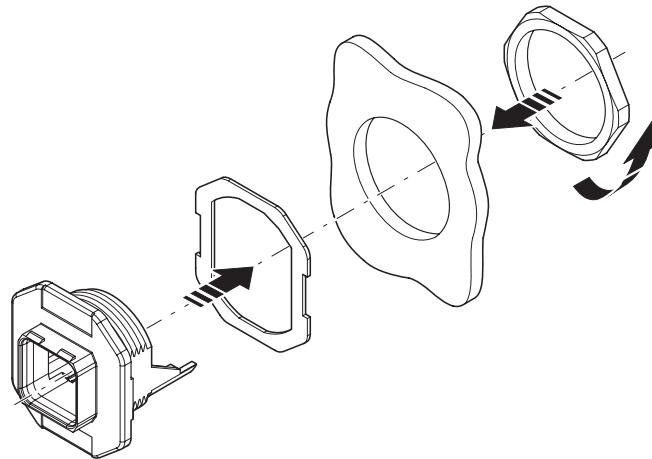
## Drawings

Dimensional drawing



Mounting cutout

Exploded view



1405235

<https://www.phoenixcontact.com/us/products/1405235>

## Classifications

### ECLASS

ECLASS-13.0	27440210
ECLASS-15.0	27440210

### ETIM

ETIM 10.0	EC002310
-----------	----------

### UNSPSC

UNSPSC 21.0	39121400
-------------	----------

# VS-PPC-F1-SCRJ-MNNA-1C-F - Panel-mount frame



1405235

<https://www.phoenixcontact.com/us/products/1405235>

## Environmental product compliance

### EU RoHS

Fulfills EU RoHS substance requirements	Yes, No exemptions
---	--------------------

### China RoHS

Environment friendly use period (EFUP)	EFUP-E
	No hazardous substances above the limits

### EU REACH SVHC

REACH candidate substance (CAS No.)	No substance above 0.1 wt%
-------------------------------------	----------------------------

Phoenix Contact 2026 © - all rights reserved  
<https://www.phoenixcontact.com>

Phoenix Contact USA  
586 Fulling Mill Road  
Middletown, PA 17057, United States  
(+717) 944-1300  
[info@phoenixcon.com](mailto:info@phoenixcon.com)