

SACC-M12FS-12SOL-PG 9-M SH - Connector



1404411

<https://www.phoenixcontact.com/us/products/1404411>

Please be informed that the data shown in this PDF document is generated from our online catalog. Please find the complete data in the user documentation. Our general terms of use for downloads are valid.



Connector, Universal, 12-position, shielded, Socket straight M12, coding: A, Solder connection, knurl material: Zinc die-cast, nickel-plated, cable gland Pg9, external cable diameter 6 mm ... 8 mm

Your advantages

- Safe use in the field, thanks to a high degree of protection
- Save space – with high-pos. connectors
- Reliable signal transmission – 360° shielding in environments with electromagnetic interference

Commercial data

| | |
|--------------------------------------|---------------|
| Item number | 1404411 |
| Packing unit | 1 pc |
| Minimum order quantity | 1 pc |
| Sales key | BF32 |
| Product key | AF2CGA |
| GTIN | 4046356693844 |
| Weight per piece (including packing) | 45.68 g |
| Weight per piece (excluding packing) | 45.68 g |
| Customs tariff number | 85366990 |
| Country of origin | DE |

1404411

<https://www.phoenixcontact.com/us/products/1404411>

Technical data

Notes

| | |
|---------------|---|
| Assembly note | NOTE: Observe the permissible bending radii when routing cables, since the degree of protection may be at risk if the bending forces are too high. Reduce mechanical loads upstream of the connector, e.g., by using cable ties. |
|---------------|---|

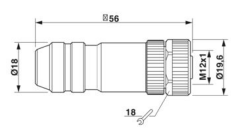
Product properties

| | |
|----------------------|---------------------------------|
| Product type | Circular connector (cable-side) |
| Sensor type | Universal |
| Number of positions | 12 |
| No. of cable outlets | 1 |
| Shielded | yes |
| Coding | A |
| Cable outlet | straight |
| Pg screw connection | Pg9 |

Insulation characteristics

| | |
|----------------------|----|
| Overvoltage category | II |
| Degree of pollution | 3 |

Dimensions

| | |
|---------------------|--|
| Dimensional drawing |  |
| Width | 19.6 mm |
| Height | 19.6 mm |
| Length | 56 mm |

External dimensions

| | |
|------------------|---------------|
| Outside diameter | 6 mm ... 8 mm |
|------------------|---------------|

Housing

| | |
|------------------|---------|
| Diameter housing | 19.6 mm |
|------------------|---------|

Material specifications

| | |
|--|------------------------------|
| Flammability rating according to UL 94 | HB |
| Seal material | NBR |
| Material of grip body | Zinc die-cast, nickel-plated |
| Contact material | CuZn |
| Contact surface material | Au |
| Contact carrier material | PA |
| Material for screw connection | Zinc die-cast, nickel-plated |

SACC-M12FS-12SOL-PG 9-M SH - Connector



1404411

<https://www.phoenixcontact.com/us/products/1404411>

Connection data

Conductor connection

| | |
|---|---|
| Connection method | Solder connection |
| Connection cross section | 0.08 mm ² ... 0.25 mm ² (without ferrule) |
| | 0.08 mm ² ... 0.25 mm ² (solid) |
| Connection cross section AWG | 28 ... 24 (without ferrule) |
| Stripping length of the individual wire | 4 mm |
| Tightening torque | 0.4 Nm (M12 knurl) |
| | 0.8 Nm ... 1 Nm (Pressure screw) |

Electrical properties

| | |
|--------------------------------|---------------------|
| Rated surge voltage | 0.5 kV |
| Contact resistance | ≤ 3 mΩ |
| Insulation resistance | > 10 GΩ |
| Nominal voltage U _N | 30 V AC |
| | 30 V DC |
| Nominal current I _N | 1.5 A (up to 40 °C) |

Mechanical properties

Mechanical data

| | |
|-----------------------------|-------|
| Insertion/withdrawal cycles | ≥ 100 |
|-----------------------------|-------|

Connector

Connection 1

| | |
|-------------------|----------|
| Head design | Socket |
| Head cable outlet | straight |
| Head thread type | M12 |
| Coding | A |

Cable/line

| | |
|---|-----------|
| Signal type/category | Universal |
| Stripping length of the individual wire | 4 mm |

Environmental and real-life conditions

Ambient conditions

| | |
|---|----------------------------------|
| Degree of protection | IP67 |
| Ambient temperature (operation) (male connector/female connector) | -40 °C ... 85 °C (Plug / socket) |

Standards and regulations

M12

| | |
|----------------------|---------------|
| Standard designation | M12 connector |
|----------------------|---------------|

SACC-M12FS-12SOL-PG 9-M SH - Connector



1404411

<https://www.phoenixcontact.com/us/products/1404411>

Standards/specifications

IEC 61076-2-101

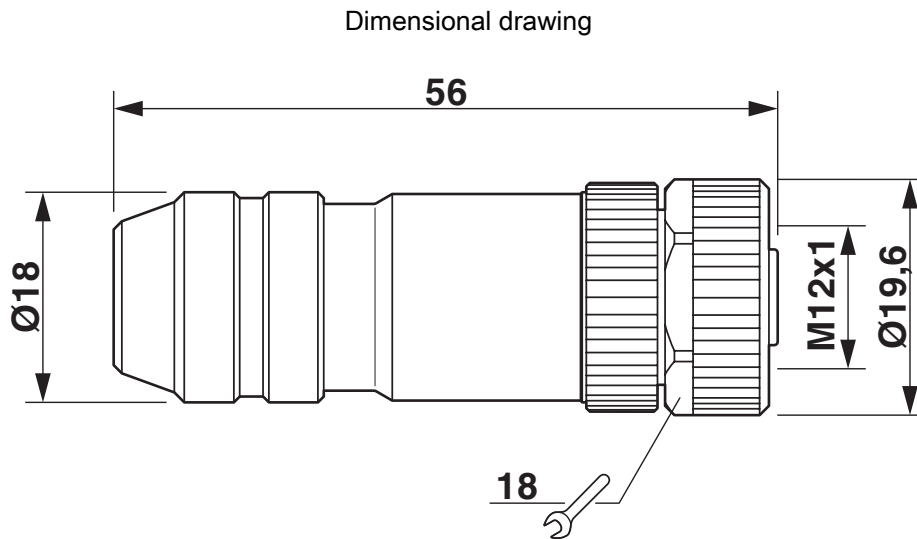
SACC-M12FS-12SOL-PG 9-M SH - Connector



1404411

<https://www.phoenixcontact.com/us/products/1404411>

Drawings



M12 x 1 socket, straight, shielded

1404411

<https://www.phoenixcontact.com/us/products/1404411>

Functional drawing

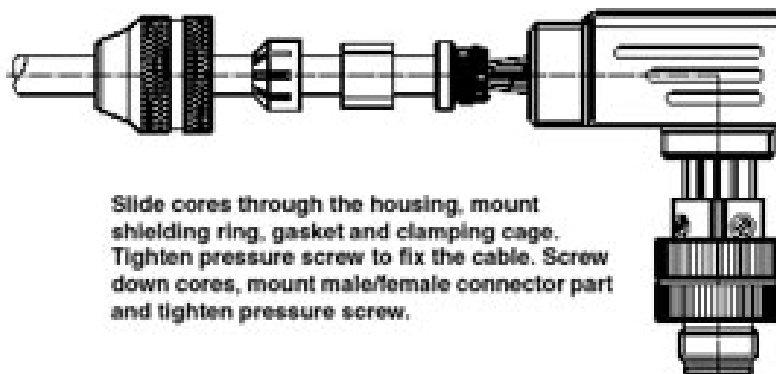
Assembly steps for M 12 male/female connector and conductor



Slide parts onto the conductor



Strip conductor, widen shield and lay around the shielding ring, cut off projecting mesh.



Slide cores through the housing, mount shielding ring, gasket and clamping cage. Tighten pressure screw to fix the cable. Screw down cores, mount male/female connector part and tighten pressure screw.

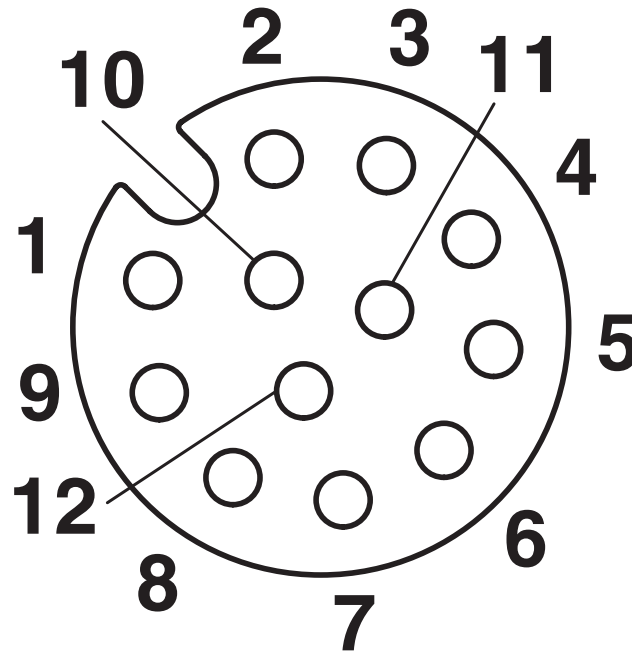
SACC-M12FS-12SOL-PG 9-M SH - Connector



1404411

<https://www.phoenixcontact.com/us/products/1404411>

Schematic diagram



Pin assignment M12 socket, 12-pos., A-coded, view female side

SACC-M12FS-12SOL-PG 9-M SH - Connector





1404411

<https://www.phoenixcontact.com/us/products/1404411>

Approvals

To download certificates, visit the product detail page: <https://www.phoenixcontact.com/us/products/1404411>

|  cUL Recognized Approval ID: FILE E 221474 | | | | |
|---|-----------------------|-----------------------|-------------------|-----------------------------|
| | Nominal voltage U_N | Nominal current I_N | Cross section AWG | Cross section mm^2 |
| keine | | | | |
| | 30 V | 1 A | - | - |

|  UL Recognized Approval ID: FILE E 221474 | | | | |
|--|-----------------------|-----------------------|-------------------|-----------------------------|
| | Nominal voltage U_N | Nominal current I_N | Cross section AWG | Cross section mm^2 |
| keine | | | | |
| | 30 V | 1 A | - | - |

SACC-M12FS-12SOL-PG 9-M SH - Connector



1404411

<https://www.phoenixcontact.com/us/products/1404411>

Classifications

ECLASS

| | |
|-------------|----------|
| ECLASS-13.0 | 27440116 |
| ECLASS-15.0 | 27440116 |

ETIM

| | |
|-----------|----------|
| ETIM 10.0 | EC002635 |
|-----------|----------|

UNSPSC

| | |
|-------------|----------|
| UNSPSC 21.0 | 39121400 |
|-------------|----------|

1404411

<https://www.phoenixcontact.com/us/products/1404411>

Environmental product compliance

EU RoHS

| | |
|---|------|
| Fulfills EU RoHS substance requirements | Yes |
| Exemption | 6(c) |

China RoHS

| | |
|--|---|
| Environment friendly use period (EFUP) | EFUP-50 |
| | An article-related China RoHS declaration table can be found in the download area for the respective article under "Manufacturer declaration". For all articles with EFUP-E, no China RoHS declaration table issued and required. |

EU REACH SVHC

| | |
|-------------------------------------|--------------------------------------|
| REACH candidate substance (CAS No.) | Lead(CAS: 7439-92-1) |
| SCIP | d08ccea1-0fc3-488a-a11c-dbe81594dac9 |

Phoenix Contact 2026 © - all rights reserved

<https://www.phoenixcontact.com>

Phoenix Contact USA
586 Fulling Mill Road
Middletown, PA 17057, United States
(+717) 944-1300
info@phoenixcon.com