

# SAC-5P-M12FS PB TR - Termination resistor



1403911

<https://www.phoenixcontact.com/us/products/1403911>

Please be informed that the data shown in this PDF document is generated from our online catalog. Please find the complete data in the user documentation. Our general terms of use for downloads are valid.

PROFIBUS M12 termination resistor, female connector version



## Commercial data

Item number	1403911
Packing unit	5 pc
Minimum order quantity	1 pc
Sales key	BF10
Product key	AF1GVX
GTIN	4046356694704
Weight per piece (including packing)	12.36 g
Weight per piece (excluding packing)	12.36 g
Customs tariff number	85332100
Country of origin	DE

# SAC-5P-M12FS PB TR - Termination resistor



1403911

<https://www.phoenixcontact.com/us/products/1403911>

## Technical data

### Product properties

Product type	Terminal resistor
Number of positions	4
Coding	B

### Insulation characteristics

Overvoltage category	II
Degree of pollution	3

### Electrical properties

Insulation resistance	$\geq 100 \text{ M}\Omega$
Nominal voltage $U_N$	48 V AC
	60 V DC
	$2 \text{ V}_{\text{rms}}$
Nominal current $I_N$	4 A

### General

Termination resistor	$120 \Omega \pm 1 \%$
----------------------	-----------------------

### Signaling

Status display	no
Status display present	no

### Material specifications

Flammability rating according to UL 94	HB
Seal material	NBR
Material of grip body	TPU, hardly inflammable, self-extinguishing
Contact material	CuZn
Contact surface material	Ni/Au
Contact carrier material	TPU GF
Material for screw connection	Zinc die-cast, nickel-plated

### Connector

#### Connection 1

Type	Socket straight M12
Number of positions	4
Coding type	B

### Mechanical properties

#### Mechanical data

Insertion/withdrawal cycles	$\geq 100$
-----------------------------	------------

# SAC-5P-M12FS PB TR - Termination resistor



1403911

<https://www.phoenixcontact.com/us/products/1403911>

## Environmental and real-life conditions

### Ambient conditions

Degree of protection	IP65
	IP67
Ambient temperature (operation) (male connector/female connector)	-25 °C ... 90 °C (Plug)

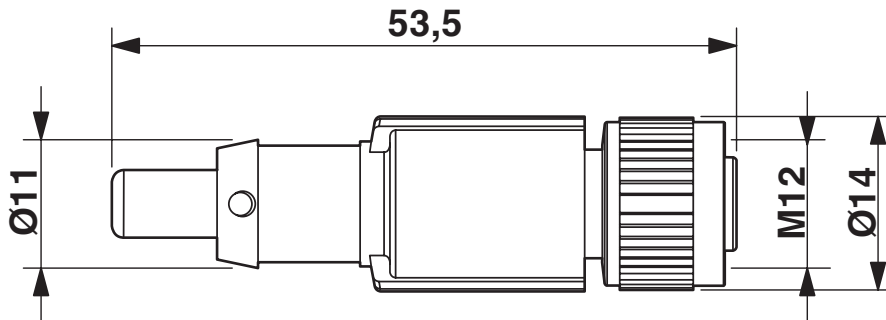
# SAC-5P-M12FS PB TR - Termination resistor

1403911

<https://www.phoenixcontact.com/us/products/1403911>

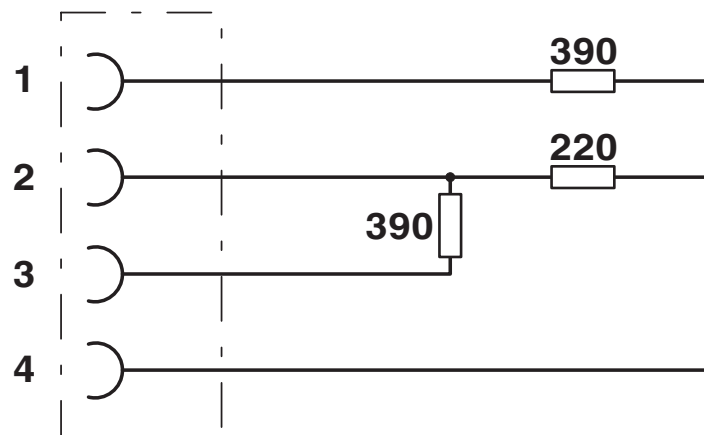
## Drawings

Dimensional drawing



M12 x 1 socket, straight

Circuit diagram



M12 termination resistor

# SAC-5P-M12FS PB TR - Termination resistor



1403911

<https://www.phoenixcontact.com/us/products/1403911>

## Classifications

### ECLASS

ECLASS-13.0	19070403
ECLASS-15.0	19070403

### ETIM

ETIM 10.0	EC000448
-----------	----------

### UNSPSC

UNSPSC 21.0	32121600
-------------	----------

# SAC-5P-M12FS PB TR - Termination resistor



1403911

<https://www.phoenixcontact.com/us/products/1403911>

## Environmental product compliance

### EU RoHS

Fulfills EU RoHS substance requirements	Yes, No exemptions
---	--------------------

### China RoHS

Environment friendly use period (EFUP)	EFUP-E
	No hazardous substances above the limits

### EU REACH SVHC

REACH candidate substance (CAS No.)	No substance above 0.1 wt%
-------------------------------------	----------------------------

Phoenix Contact 2026 © - all rights reserved  
<https://www.phoenixcontact.com>

Phoenix Contact USA  
586 Fulling Mill Road  
Middletown, PA 17057, United States  
(+717) 944-1300  
[info@phoenixcon.com](mailto:info@phoenixcon.com)