

QPD W 4PE2,5 6-11 M20 FC BK - Panel feed-through



1403729

<https://www.phoenixcontact.com/us/products/1403729>

Please be informed that the data shown in this PDF document is generated from our online catalog. Please find the complete data in the user documentation. Our general terms of use for downloads are valid.



Panel feed-through, connection method: Spade connection (For slip-on sleeves according to DIN 46247-2)/ IDC connection, number of positions: 4+PE, M20, Pin, 1 mm² ... 2.5 mm², 690 V, 20 A, PA, black, with QUICKON nut, coding: coded, external cable diameter: 6 mm ... 11 mm

Your advantages

- Innovative and time saving - QUICKON fast connection for time saving of up to 80 % for on-site connection
- Robust throughout: housing with IP68/IP69K and IK07 protection for a wide range of applications
- Safer connection with mechanical coding to protect against mismatching, and touch-proof protection in accordance with DIN EN 0105
- Efficient - by using panel feed-throughs, devices no longer need to be opened in order to connect cables

Commercial data

| | |
|--------------------------------------|---------------|
| Item number | 1403729 |
| Packing unit | 1 pc |
| Minimum order quantity | 1 pc |
| Sales key | BF50 |
| Product key | AF6ACB |
| GTIN | 4046356665032 |
| Weight per piece (including packing) | 55.2 g |
| Weight per piece (excluding packing) | 55.2 g |
| Customs tariff number | 85366990 |
| Country of origin | PL |

1403729

<https://www.phoenixcontact.com/us/products/1403729>

Technical data

Product properties

| | |
|------------------------------------|--------------------|
| Product type | Panel feed-through |
| Product family | QPD |
| Type | QPD 5x2,5 |
| Number of positions | 5 |
| Connection profile | 4+PE |
| Position marking | 1, 2, 3, N, PE |
| Number of connections | 10 |
| Number of connections per position | 1 |
| Coding | coded |

Insulation characteristics

| | |
|----------------------|-----|
| Overvoltage category | III |
| Degree of pollution | 3 |

Connection data

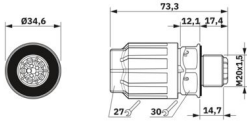
Connection technology

| | |
|---|---|
| Connection method On the device side | Spade connection (For slip-on sleeves according to DIN 46247-2) |
| Connection method On the field side | IDC connection |
| Frequency of connections between conductors of the same cross section | max. 10 |

Conductor connection

| | |
|----------------------------------|---|
| Conductor cross-section flexibel | 1 mm ² ... 2.5 mm ² |
| Conductor cross-section solid | 1 mm ² ... 2.5 mm ² |
| Connection cross section AWG | 16 ... 14 |
| Tightening torque Union nut | 10 Nm |
| Tightening torque Locking nut | 5 Nm |
| Wrench size Union nut | 27 mm |
| Wrench size Locking nut | 30 mm |

Dimensions

| | |
|---------------------|--|
| Dimensional drawing |  |
| Width | 34.6 mm |
| Height | 34.6 mm |
| Length | 71.8 mm |
| Diameter | 34.6 mm |
| Wrench size | 30 mm |

QPD W 4PE2,5 6-11 M20 FC BK - Panel feed-through



1403729

<https://www.phoenixcontact.com/us/products/1403729>

| | |
|----------------------------------|--------------|
| Wrench size for mounting | 30 mm |
| Dimensions of slip-on connection | 2.8 x 0.8 mm |

Electrical properties

| | |
|-----------------------------|----------------------|
| Rated surge voltage (II/2) | 8 kV |
| Rated surge voltage (III/2) | 8 kV |
| Rated surge voltage (III/3) | 6 kV |
| Rated current | 20 A |
| Contact resistance | < 3 mΩ |
| rated voltage (II/2) | 1000 V |
| rated voltage (III/2) | 1000 V |
| Rated voltage (III/3) | 690 V |
| Nominal voltage U_N | 690 V AC 690 V DC |
| Nominal current I_N | 20 A |

Mechanical properties

Mechanical data

| | |
|-----------------------------|---------|
| Insertion/withdrawal cycles | max. 50 |
|-----------------------------|---------|

Material specifications

| | |
|--|-------------------|
| Color | black (RAL 9005) |
| Material Housing | PA |
| Material Contact | Cu |
| Material Contact surface | silver-plated |
| Material Seal | NBR |
| Flammability rating according to UL 94 | V0 |
| Material wire insulation | PVC/PE/TPE/rubber |

Cable/line

| | |
|---|------------------------------------|
| Structure of individual litz in acc. with VDE 0295 / smallest wire diameter | VDE 0295 class 1 to 6/min. 0.15 mm |
| External cable diameter | 6 mm ... 11 mm |
| Wire diameter including insulation | 2 mm ... 3.8 mm |
| Position marking | 1, 2, 3, N, PE |
| Material wire insulation | PVC/PE/TPE/rubber |

Mounting

| | |
|---------------|--------------------|
| Mounting type | Front mounting M20 |
|---------------|--------------------|

Environmental and real-life conditions

Ambient conditions

| | |
|----------------------|---------------------------|
| Degree of protection | IP66 IP68 (2 m / 24 h) |
|----------------------|---------------------------|

QPD W 4PE2,5 6-11 M20 FC BK - Panel feed-through



1403729

<https://www.phoenixcontact.com/us/products/1403729>

| | |
|---|--|
| | IP69K |
| | Touch-proof when not plugged in (IP2X) |
| Impact strength | IK07 |
| Ambient temperature (operation) | -40 °C ... 100 °C |
| Temperature when conductor connected | -5 °C ... 50 °C |
| Ambient temperature (storage/transport) | -40 °C ... 80 °C |

QPD W 4PE2,5 6-11 M20 FC BK - Panel feed-through

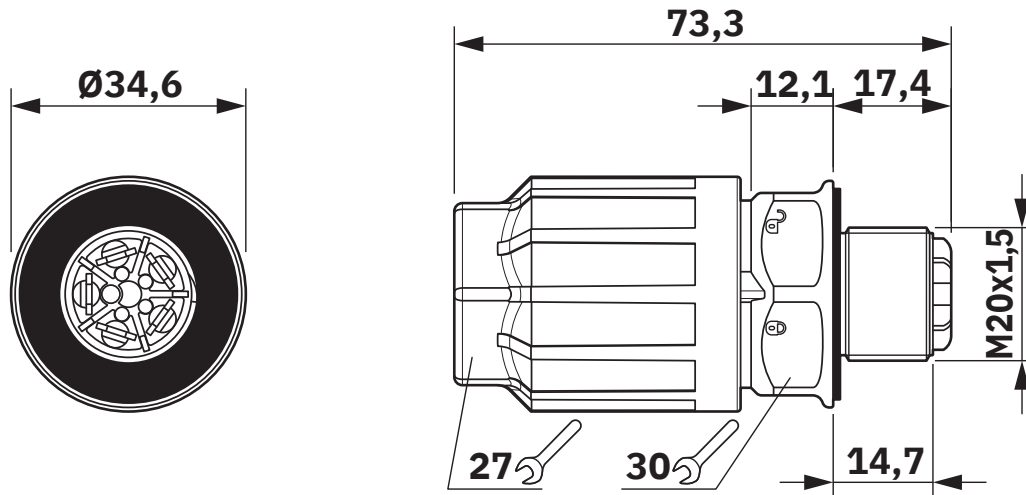


1403729

<https://www.phoenixcontact.com/us/products/1403729>

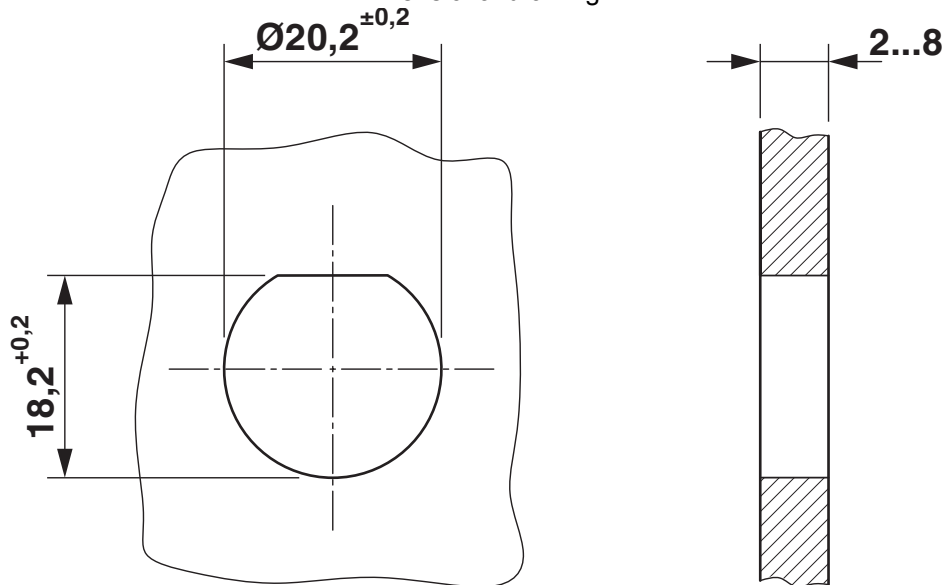
Drawings

Dimensional drawing



Dimensional drawing of the QPD W 5x2,5 M20

Dimensional drawing



Housing cutout



1403729

<https://www.phoenixcontact.com/us/products/1403729>

Approvals

To download certificates, visit the product detail page: <https://www.phoenixcontact.com/us/products/1403729>



IECEE CB Scheme
Approval ID: DE1-65875



DNV GL
Approval ID: TAE00003J5



VDE Zeichengenehmigung
Approval ID: 40029149



UL Listed
Approval ID: E468743

| | Nominal voltage U_N | Nominal current I_N | Cross section AWG | Cross section mm^2 |
|-------|-----------------------|-----------------------|-------------------|-----------------------------|
| keine | | | | |
| | 600 V | 10 A | - 14 | - 14 |



cUL Listed
Approval ID: E468743

| | Nominal voltage U_N | Nominal current I_N | Cross section AWG | Cross section mm^2 |
|-------|-----------------------|-----------------------|-------------------|-----------------------------|
| keine | | | | |
| | 600 V | 10 A | - 14 | - |

1403729

<https://www.phoenixcontact.com/us/products/1403729>

Classifications

ECLASS

| | |
|-------------|----------|
| ECLASS-13.0 | 27440602 |
| ECLASS-15.0 | 27440602 |

ETIM

| | |
|-----------|----------|
| ETIM 10.0 | EC002566 |
|-----------|----------|

UNSPSC

| | |
|-------------|----------|
| UNSPSC 21.0 | 39121500 |
|-------------|----------|

1403729

<https://www.phoenixcontact.com/us/products/1403729>

Environmental product compliance

EU RoHS

| | |
|---|--------------------|
| Fulfills EU RoHS substance requirements | Yes, No exemptions |
|---|--------------------|

China RoHS

| | |
|--|--|
| Environment friendly use period (EFUP) | EFUP-E |
| | No hazardous substances above the limits |

EU REACH SVHC

| | |
|-------------------------------------|----------------------------|
| REACH candidate substance (CAS No.) | No substance above 0.1 wt% |
|-------------------------------------|----------------------------|

EF3.1 Climate Change

| | |
|---------|---------------|
| CO2e kg | 0.586 kg CO2e |
|---------|---------------|

Phoenix Contact 2026 © - all rights reserved
<https://www.phoenixcontact.com>

Phoenix Contact USA
586 Fulling Mill Road
Middletown, PA 17057, United States
(+717) 944-1300
info@phoenixcon.com