

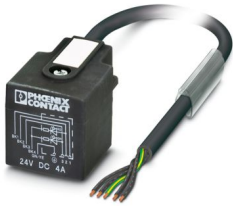
SAC-5P- 3,0-534/AD-2L - Sensor/actuator cable



1403669

<https://www.phoenixcontact.com/us/products/1403669>

Please be informed that the data shown in this PDF document is generated from our online catalog. Please find the complete data in the user documentation. Our general terms of use for downloads are valid.



Sensor/actuator cable, 5-position, PVC, black, free cable end, on Valve connector AD (pressure switch), with 2 LEDs, Wiring: unwired, cable length: 3 m

Commercial data

Item number	1403669
Packing unit	1 pc
Minimum order quantity	50 pc
Product key	AF1DBA
GTIN	4046356663298
Weight per piece (including packing)	231.9 g
Weight per piece (excluding packing)	228.56 g
Country of origin	PL

SAC-5P- 3,0-534/AD-2L - Sensor/actuator cable



1403669

<https://www.phoenixcontact.com/us/products/1403669>

Technical data

Product properties

Product type	Sensor/actuator cable with valve connector
Number of positions	5
No. of cable outlets	1
Shielded	no

Insulation characteristics

Overvoltage category	III
Degree of pollution	3

Connection data

Conductor connection

Tightening torque	0.6 Nm (Valve connector)
-------------------	--------------------------

Material specifications

Flammability rating according to UL 94	V0
Seal material	TPU
Material housing valve plug	TPU
Contact material	CuSn
Valve plug contact insert material	PA 6
Contact surface material	Sn

Electrical properties

Insulation resistance	≥ 100 MΩ
Nominal voltage U_N	24 V AC
	24 V DC
Nominal current I_N	4 A

Signaling

Status display	2 LEDs
Status display present	yes

Connector

Connection 1

Type	free cable end
------	----------------

Connection 2

Type	Valve connector AD (pressure switch)
Material	CuSn (Contact)
	Sn (Contact surface)
	PA 6 (Contact carrier)
	TPU (Housing)

SAC-5P- 3,0-534/AD-2L - Sensor/actuator cable



1403669

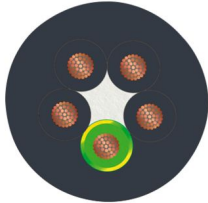
<https://www.phoenixcontact.com/us/products/1403669>

Protective circuit	unwired
--------------------	---------

Cable/line

Cable length	3 m
--------------	-----

PVC, 0.75 mm², black [534]

Dimensional drawing	
Cable weight	70.9 kg/km
UL AWM Style	2464 (80°C/300 V)
Number of positions	5
Shielded	no
Cable type	PVC, 0.75 mm ² , black [534]
Conductor structure signal line	24x 0.20 mm
AWG signal line	18
Conductor cross-section	5x 0.75 mm ²
Wire diameter incl. insulation	1.7 mm ±0.1 mm
External cable diameter	6.20 mm ±0.2 mm
Outer sheath, material	PVC
External sheath, color	black
Conductor material	Bare Cu litz wires
Material wire insulation	PVC
Single wire, color	black 1, black 2, black 3, black 4, green/yellow
Overall twist	5 cores, twisted
Max. conductor resistance	26 Ω/km (at 20 °C)
Insulation resistance	min. 20 MΩ*km (at 20 °C)
Nominal voltage, cable	300 V
Test voltage	1200 V
Minimum bending radius, fixed installation	5 x D
Smallest bending radius, fixed installation	31 mm
Flame resistance	DIN VDE 0482 DIN EN 50265-2-1 in acc. to UL VW1
Resistance to oil	in accordance with DIN EN 60811-2-1
Ambient temperature (operation)	-40 °C ... 80 °C (cable, fixed installation) -5 °C ... 80 °C (Cable, flexible installation)

Environmental and real-life conditions

SAC-5P- 3,0-534/AD-2L - Sensor/actuator cable



1403669

<https://www.phoenixcontact.com/us/products/1403669>

Ambient conditions

Degree of protection	IP65
	IP67
Ambient temperature (operation) (Valve connector)	-20 °C ... 85 °C (Valve connector)

Standards and regulations

Valve connector

Standard designation	Valve connector
Standards/specifications	EN 175301-803

SAC-5P- 3,0-534/AD-2L - Sensor/actuator cable



1403669

<https://www.phoenixcontact.com/us/products/1403669>

Drawings

Dimensional drawing



Valve connector, type AD

Dimensional drawing



Valve connector, type AD, side view

SAC-5P- 3,0-534/AD-2L - Sensor/actuator cable

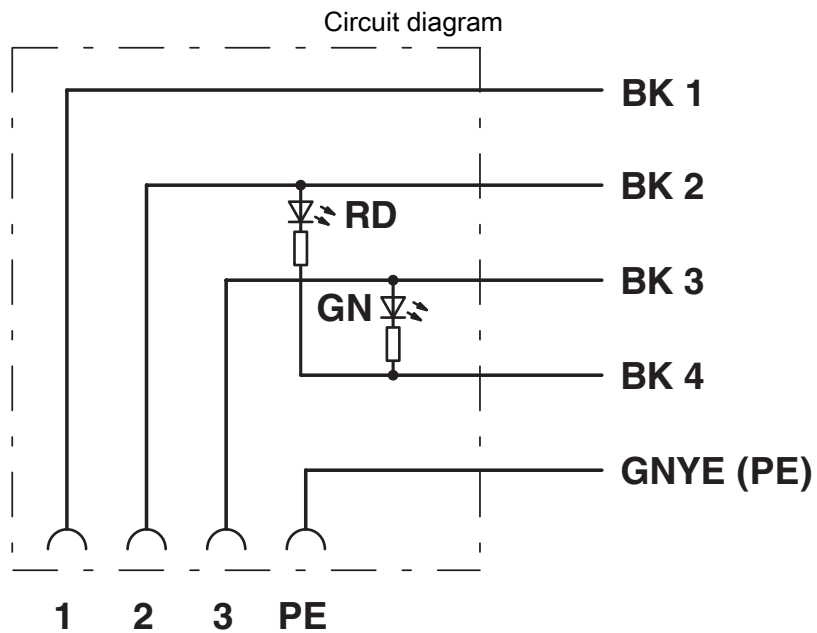
1403669

<https://www.phoenixcontact.com/us/products/1403669>

Schematic diagram



Valve plug connector pin assignment, type AD



Contact assignment of the valve plug

SAC-5P- 3,0-534/AD-2L - Sensor/actuator cable



1403669

<https://www.phoenixcontact.com/us/products/1403669>

Classifications

ECLASS

ECLASS-13.0	27060312
ECLASS-15.0	27060312

SAC-5P- 3,0-534/AD-2L - Sensor/actuator cable



1403669

<https://www.phoenixcontact.com/us/products/1403669>

Environmental product compliance

China RoHS

Environment friendly use period (EFUP)	EFUP-50
	An article-related China RoHS declaration table can be found in the download area for the respective article under "Manufacturer declaration". For all articles with EFUP-E, no China RoHS declaration table issued and required.

EU REACH SVHC

REACH candidate substance (CAS No.)	No substance above 0.1 wt%
-------------------------------------	----------------------------

Phoenix Contact 2026 © - all rights reserved
<https://www.phoenixcontact.com>

Phoenix Contact USA
586 Fulling Mill Road
Middletown, PA 17057, United States
(+717) 944-1300
info@phoenixcon.com