

VS-IP67-IP20-93E-LI/3,7 - Network cable



1403655

<https://www.phoenixcontact.com/us/products/1403655>

Please be informed that the data shown in this PDF document is generated from our online catalog. Please find the complete data in the user documentation. Our general terms of use for downloads are valid.



Assembled Ethernet cable, CAT5e, shielded, 2-pair, 26 AWG stranded (7-wire), RAL 5021 (water blue), RJ45 plug/IP67, gray to RJ45 plug/IP20, line, length: 3.7 m

Commercial data

Item number	1403655
Packing unit	1 pc
Minimum order quantity	1 pc
Sales key	AB11
Product key	ABNABD
GTIN	4046356662888
Weight per piece (including packing)	207.5 g
Weight per piece (excluding packing)	182.21 g
Customs tariff number	85444210
Country of origin	PL

1403655

<https://www.phoenixcontact.com/us/products/1403655>

Technical data

Product properties

Product type	Data cable preassembled
Product family	RJ45 INDUSTRIAL IE4 CAT5
Sensor type	Ethernet
Number of positions	4
Number of slots	1
Shielded	yes

Insulation characteristics

Degree of pollution	2
---------------------	---

Electrical properties

Transmission speed	100 Mbps
Transmission characteristics (category)	CAT5 (IEC 11801:2002)
Transmission speed	100 Mbps

Mechanical properties

Tensile strength short-term/long-term	50N bei Installation / 10N nach Installation
---------------------------------------	--

Material specifications

Flammability rating according to UL 94	V2
Seal material	TPE
Outer sheath, material	PUR
Conductor material	Bare Cu litz wires

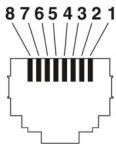
Dimensions

External dimensions

External diameter min.	5.6 mm
External diameter max.	6.7 mm

Connector

Connection 1

<p>Dimensional drawing</p>	 <p>Connector pin assignment plug RJ45</p>
----------------------------	---

VS-IP67-IP20-93E-LI/3,7 - Network cable

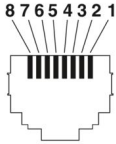


1403655

<https://www.phoenixcontact.com/us/products/1403655>

Type	RJ45 Plug, straight, 4-position, Snap-in locking
Number of positions	4
Signal type/category	Ethernet CAT5 (IEC 11801:2002), 100 Mbps
Insertion/withdrawal cycles	≥ 750
Insertion force	30 N (per signal contact)
Withdrawal force	50 N (per signal contact)
Degree of pollution	2
Material Contact	CuSn
Material Contact surface	Ni/Au
Material Contact carrier	PC
Color (Housing)	gray
Flammability rating according to UL 94	V2
Degree of protection	IP67 IP65
Ambient temperature (operation)	-40 °C ... 60 °C

Connection 2

Dimensional drawing	 <p>Connector pin assignment plug RJ45</p>
Type	RJ45 Plug, straight, 4-position
Number of positions	4
Signal type/category	Ethernet CAT5 (IEC 11801:2002), 100 Mbps
Insertion/withdrawal cycles	≥ 750
Insertion force	30 N (per signal contact)
Withdrawal force	50 N (per signal contact)
Degree of pollution	2
Material Contact	CuSn
Material Contact surface	Ni/Au
Material Contact carrier	PC
Material Housing	PA
Color (Housing)	gray
Flammability rating according to UL 94	V2
Degree of protection	IP20
Ambient temperature (operation)	-40 °C ... 60 °C

Cable/line


Cable length	3.70 m
--------------	--------

VS-IP67-IP20-93E-LI/3,7 - Network cable

1403655

<https://www.phoenixcontact.com/us/products/1403655>

Ethernet flexible CAT5, 2-pair [93E]

Dimensional drawing	
UL AWM Style	21238 (80 °C / 600 V)
Number of positions	4
Shielded	yes
Cable type	Ethernet flexible CAT5, 2-pair [93E]
Conductor structure	2x2xAWG26/7, SF/UTP
AWG signal line	26
Conductor cross-section	2x 2x 0.14 mm ²
Wire diameter incl. insulation	0.95 mm ±0.05 mm
External cable diameter	6.40 mm ±0.2 mm
Outer sheath, material	PUR
External sheath, color	water blue RAL 5021
Conductor material	Bare Cu litz wires
Material wire insulation	Foamed PE
Single wire, color	white/orange-orange, white/green-green
Twisted pairs	2 cores to the pair
Overall twist	Two pairs with two fillers to the core
Optical shield covering	70 %
Insulation resistance	≥ 5 GΩ*km
Loop resistance	≤ 280.00 Ω/km
Wave impedance	100 Ω ±5 Ω (at 100 MHz)
Nominal voltage, cable	≤ 100 V
Test voltage Core/Core	2000 V (50 Hz, 1 min.)
Test voltage Core/Shield	2000.00 V (50 Hz, 1 min.)
Minimum bending radius, fixed installation	4 x D
Minimum bending radius, flexible installation	8 x D
Smallest bending radius, fixed installation	26 mm
Smallest bending radius, movable installation	51 mm
Halogen-free	according to IEC 60754-1
Flame resistance	according to IEC 60332-1-2 in accordance with UN ECE-R 118.03 UL 1581, Section 1060 and UL 2556, Section 9.3 (FT1) UL 1581, Section 1100 and UL 2556, Section 9.1 (HFT/FT2)
Resistance to oil	in accordance with IEC 60811-404
Ambient temperature (operation)	-40 °C ... 80 °C (cable, fixed installation)

VS-IP67-IP20-93E-LI/3,7 - Network cable



1403655

<https://www.phoenixcontact.com/us/products/1403655>

-30 °C ... 70 °C (Cable, flexible installation)

VS-IP67-IP20-93E-LI/3,7 - Network cable

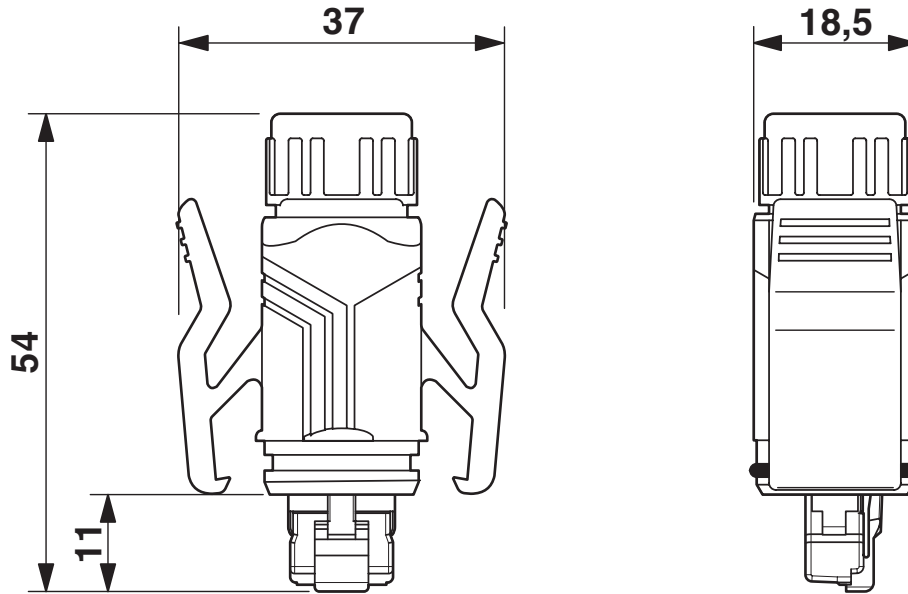


1403655

<https://www.phoenixcontact.com/us/products/1403655>

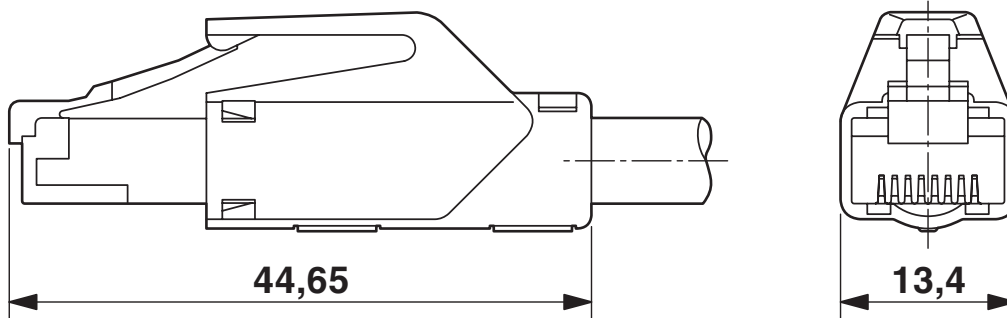
Drawings

Dimensional drawing



Dimensional drawing

Dimensional drawing



Dimensional drawing

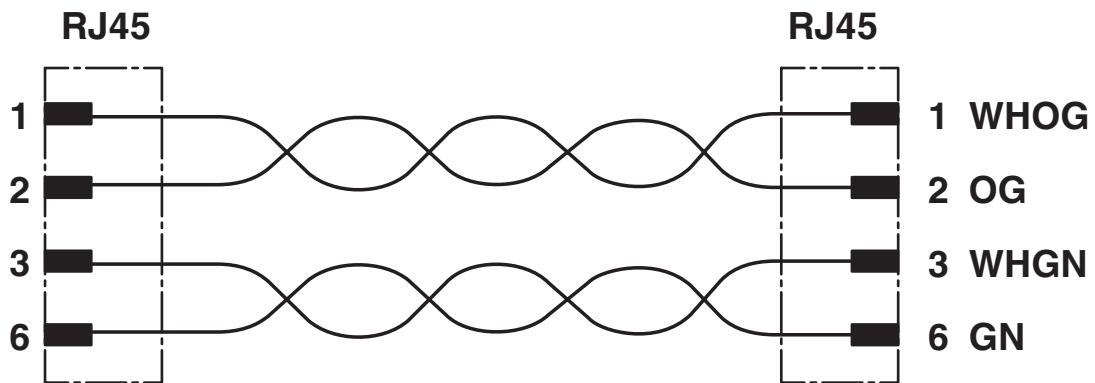
VS-IP67-IP20-93E-LI/3,7 - Network cable

1403655

<https://www.phoenixcontact.com/us/products/1403655>



Circuit diagram



VS-IP67-IP20-93E-LI/3,7 - Network cable



1403655

<https://www.phoenixcontact.com/us/products/1403655>

Approvals

To download certificates, visit the product detail page: <https://www.phoenixcontact.com/us/products/1403655>



EAC

Approval ID: 19060508

VS-IP67-IP20-93E-LI/3,7 - Network cable



1403655

<https://www.phoenixcontact.com/us/products/1403655>

Classifications

ECLASS

ECLASS-13.0	27060307
ECLASS-15.0	27060307

ETIM

ETIM 10.0	EC001855
-----------	----------

UNSPSC

UNSPSC 21.0	26121600
-------------	----------

VS-IP67-IP20-93E-LI/3,7 - Network cable



1403655

<https://www.phoenixcontact.com/us/products/1403655>

Environmental product compliance

EU RoHS

Fulfills EU RoHS substance requirements	Yes, No exemptions
---	--------------------

China RoHS

Environment friendly use period (EFUP)	EFUP-E
	No hazardous substances above the limits

EU REACH SVHC

REACH candidate substance (CAS No.)	6,6'-di-tert-butyl-2,2'-methylenedi-p-cresol(CAS: 119-47-1)
SCIP	7af034dc-147a-4f40-a7ec-565d82ea421d

Phoenix Contact 2026 © - all rights reserved

<https://www.phoenixcontact.com>

Phoenix Contact USA
586 Fulling Mill Road
Middletown, PA 17057, United States
(+717) 944-1300
info@phoenixcon.com