

SACC-M12FS-5CON-PG11-DUO VA - Connector



1403372

<https://www.phoenixcontact.com/us/products/1403372>

Please be informed that the data shown in this PDF document is generated from our online catalog. Please find the complete data in the user documentation. Our general terms of use for downloads are valid.



Connector, 5-position, Socket straight M12, coding: A, Screw connection, knurl material: Stainless steel 1.4404, cable gland Pg11-DUO, external cable diameter 2.1 mm ... 3 mm / 4 mm ... 5.2 mm

Your advantages

- Safe use in the field, thanks to a high degree of protection
- Screw connection: proven connection technology for a large selection of different conductors
- Save space: connect two sensors to one connector with a multiple grommet

Commercial data

Item number	1403372
Packing unit	1 pc
Minimum order quantity	1 pc
Sales key	BF30
Product key	AF2CAA
GTIN	4046356649391
Weight per piece (including packing)	33.98 g
Weight per piece (excluding packing)	31.9 g
Customs tariff number	85366990
Country of origin	DE

1403372

<https://www.phoenixcontact.com/us/products/1403372>

Technical data

Notes

Assembly note	NOTE: Observe the permissible bending radii when routing cables, since the degree of protection may be at risk if the bending forces are too high. Reduce mechanical loads upstream of the connector, e.g., by using cable ties.
---------------	---

Mounting

Assembly note	This connector includes one seal for small and one seal for large outer cable diameters.
---------------	--

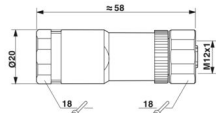
Product properties

Product type	Circular connector (cable-side)
Number of positions	5
No. of cable outlets	2
Shielded	no
Coding	A
Cable outlet	straight
Pg screw connection	Pg11

Insulation characteristics

Overvoltage category	II
Degree of pollution	3

Dimensions

Dimensional drawing	
Length	58 mm

External dimensions

Outside diameter	2x 2.1 mm ... 3 mm (when using the seal for small outer cable diameters)
	2x 4 mm ... 5.2 mm (when using the seal for large outer cable diameters)

Housing

Diameter housing	20 mm
------------------	-------

Material specifications

Seal material	NBR
Material of grip body	PA

SACC-M12FS-5CON-PG11-DUO VA - Connector



1403372

<https://www.phoenixcontact.com/us/products/1403372>

Contact material	CuZn
Contact surface material	Au
Contact carrier material	PA
Material for screw connection	Stainless steel 1.4404

Connection data

Conductor connection

Connection method	Screw connection
Connection cross section	0.25 mm ² ... 0.75 mm ² (without ferrule)
	0.14 mm ² ... 0.75 mm ² (with ferrule)
	0.25 mm ² ... 0.75 mm ² (solid)
Connection cross section AWG	24 ... 18 (without ferrule)
	26 ... 20 (with ferrule)
Stripping length of the individual wire	5 mm
Tightening torque	0.4 Nm (M12 knurl)
	0.8 Nm ... 1 Nm
	0.2 Nm (Screw terminal blocks)

Electrical properties

Rated surge voltage	1.5 kV
Contact resistance	≤ 8 mΩ
Insulation resistance	≥ 100 MΩ
Nominal voltage U _N	48 V AC
	60 V DC
Nominal current I _N	4 A

Connector

Connection 1

Head design	Socket
Head cable outlet	straight
Head thread type	M12
Coding	A

Cable/line

Stripping length of the individual wire	5 mm
---	------

Environmental and real-life conditions

Ambient conditions

Degree of protection	IP67
Ambient temperature (operation) (male connector/female connector)	-40 °C ... 85 °C (Plug / socket)

Standards and regulations

SACC-M12FS-5CON-PG11-DUO VA - Connector



1403372

<https://www.phoenixcontact.com/us/products/1403372>

M12

Standard designation	M12 connector
Standards/specifications	IEC 61076-2-101

SACC-M12FS-5CON-PG11-DUO VA - Connector

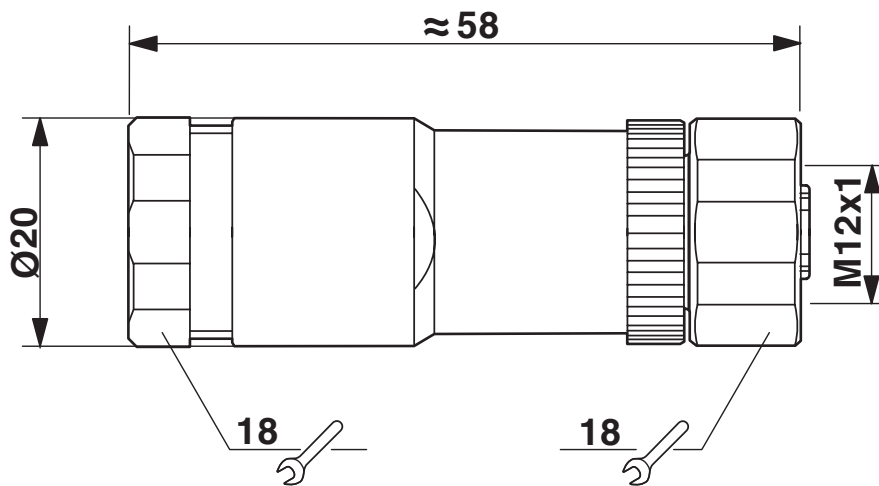


1403372

<https://www.phoenixcontact.com/us/products/1403372>

Drawings

Dimensional drawing

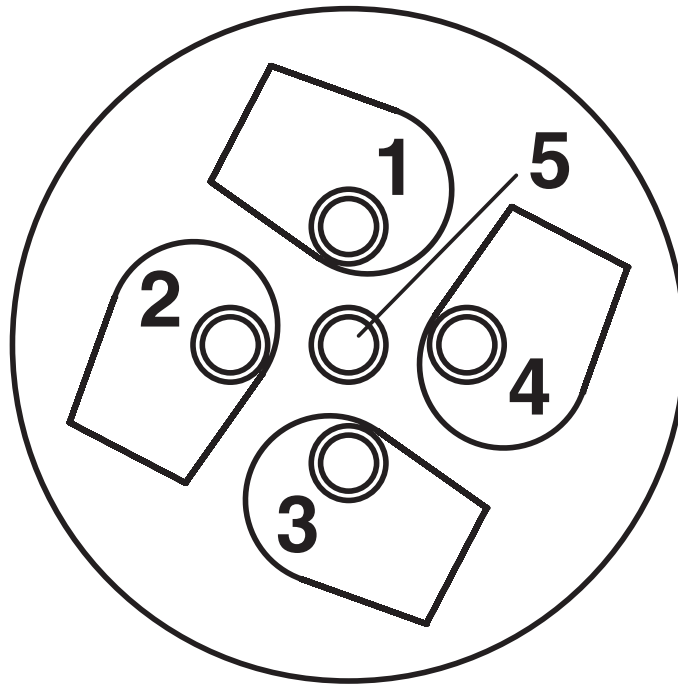


M12 x 1 socket, straight

1403372

<https://www.phoenixcontact.com/us/products/1403372>

Schematic diagram



Cable connection side M12 (screw connection)

Schematic diagram



Pin assignment M12 socket, 5-pos., A-coded, socket side view

SACC-M12FS-5CON-PG11-DUO VA - Connector



1403372

<https://www.phoenixcontact.com/us/products/1403372>

Classifications

ECLASS

ECLASS-13.0	27440116
ECLASS-15.0	27440116

ETIM

ETIM 10.0	EC002635
-----------	----------

UNSPSC

UNSPSC 21.0	39121400
-------------	----------

1403372

<https://www.phoenixcontact.com/us/products/1403372>

Environmental product compliance

EU RoHS

Fulfills EU RoHS substance requirements	Yes
Exemption	6(c)

China RoHS

Environment friendly use period (EFUP)	EFUP-50
	An article-related China RoHS declaration table can be found in the download area for the respective article under "Manufacturer declaration". For all articles with EFUP-E, no China RoHS declaration table issued and required.

EU REACH SVHC

REACH candidate substance (CAS No.)	Lead(CAS: 7439-92-1)
SCIP	7644744b-48f6-48ff-b251-53188b19ce62

Phoenix Contact 2026 © - all rights reserved
<https://www.phoenixcontact.com>

Phoenix Contact USA
586 Fulling Mill Road
Middletown, PA 17057, United States
(+717) 944-1300
info@phoenixcon.com