

# SACC-M12MS-5CON-PG11-DUO VA - Connector



1403371

<https://www.phoenixcontact.com/us/products/1403371>

Please be informed that the data shown in this PDF document is generated from our online catalog. Please find the complete data in the user documentation. Our general terms of use for downloads are valid.



Connector, 5-position, Plug straight M12, coding: A, Screw connection, knurl material: Stainless steel 1.4404, cable gland Pg11-DUO, external cable diameter 2.1 mm ... 3 mm / 4 mm ... 5.2 mm

## Your advantages

- Safe use in the field, thanks to a high degree of protection
- Screw connection: proven connection technology for a large selection of different conductors
- Save space: connect two sensors to one connector with a multiple grommet

## Commercial data

Item number	1403371
Packing unit	1 pc
Minimum order quantity	1 pc
Sales key	BF30
Product key	AF2CAA
GTIN	4046356649384
Weight per piece (including packing)	30.58 g
Weight per piece (excluding packing)	28.5 g
Customs tariff number	85366990
Country of origin	HU

1403371

<https://www.phoenixcontact.com/us/products/1403371>

## Technical data

### Notes

Assembly note	<b>NOTE:</b> Observe the permissible bending radii when routing cables, since the degree of protection may be at risk if the bending forces are too high. Reduce mechanical loads upstream of the connector, e.g., by using cable ties.
---------------	---

### Mounting

Assembly note	This connector includes one seal for small and one seal for large outer cable diameters.
---------------	--

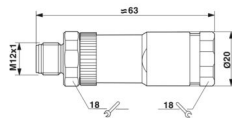
### Product properties

Product type	Circular connector (cable-side)
Number of positions	5
No. of cable outlets	2
Shielded	no
Coding	A
Cable outlet	straight
Pg screw connection	Pg11

### Insulation characteristics

Overvoltage category	II
Degree of pollution	3

### Dimensions

Dimensional drawing	
Length	63 mm

### External dimensions

Outside diameter	2x 2.1 mm ... 3 mm (when using the seal for small outer cable diameters)
	2x 4 mm ... 5.2 mm (when using the seal for large outer cable diameters)

### Housing

Diameter housing	20 mm
------------------	-------

### Material specifications

Seal material	NBR
Material of grip body	PA

# SACC-M12MS-5CON-PG11-DUO VA - Connector



1403371

<https://www.phoenixcontact.com/us/products/1403371>

Contact material	CuZn
Contact surface material	Au
Contact carrier material	PA
Material for screw connection	Stainless steel 1.4404

## Connection data

### Conductor connection

Connection method	Screw connection
Connection cross section	0.25 mm <sup>2</sup> ... 0.75 mm <sup>2</sup> (without ferrule)
	0.14 mm <sup>2</sup> ... 0.75 mm <sup>2</sup> (with ferrule)
	0.25 mm <sup>2</sup> ... 0.75 mm <sup>2</sup> (solid)
Connection cross section AWG	24 ... 18 (without ferrule)
	26 ... 20 (with ferrule)
Stripping length of the individual wire	5 mm
Tightening torque	0.4 Nm (M12 knurl)
	0.8 Nm ... 1 Nm
	0.2 Nm (Screw terminal blocks)

## Electrical properties

Rated surge voltage	1.5 kV
Contact resistance	≤ 8 mΩ
Insulation resistance	≥ 100 MΩ
Nominal voltage U <sub>N</sub>	48 V AC
	60 V DC
Nominal current I <sub>N</sub>	4 A

## Connector

### Connection 1

Head design	Plug
Head cable outlet	straight
Head thread type	M12
Coding	A

## Cable/line

Stripping length of the individual wire	5 mm
---	------

## Environmental and real-life conditions

### Ambient conditions

Degree of protection	IP67
Ambient temperature (operation) (male connector/female connector)	-40 °C ... 85 °C (Plug / socket)

## Standards and regulations

# SACC-M12MS-5CON-PG11-DUO VA - Connector



1403371

<https://www.phoenixcontact.com/us/products/1403371>

## M12

Standard designation	M12 connector
Standards/specifications	IEC 61076-2-101

# SACC-M12MS-5CON-PG11-DUO VA - Connector

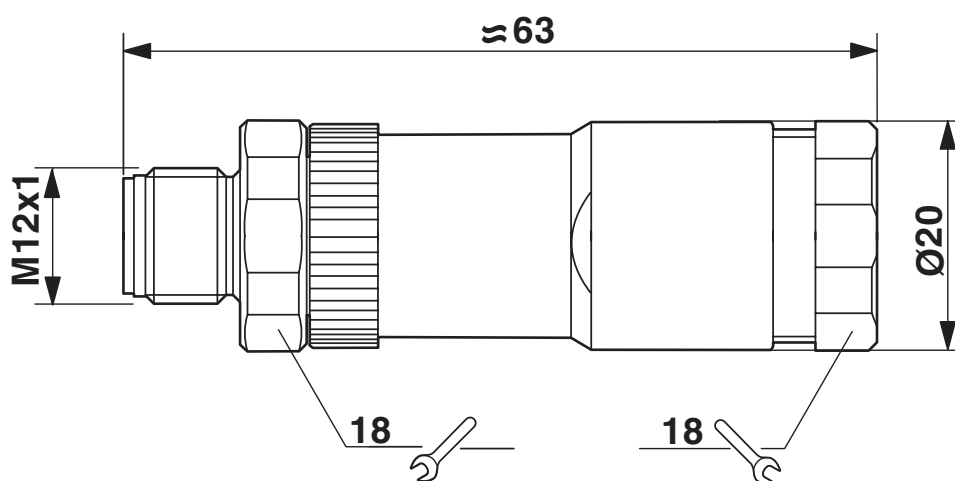


1403371

<https://www.phoenixcontact.com/us/products/1403371>

## Drawings

Dimensional drawing

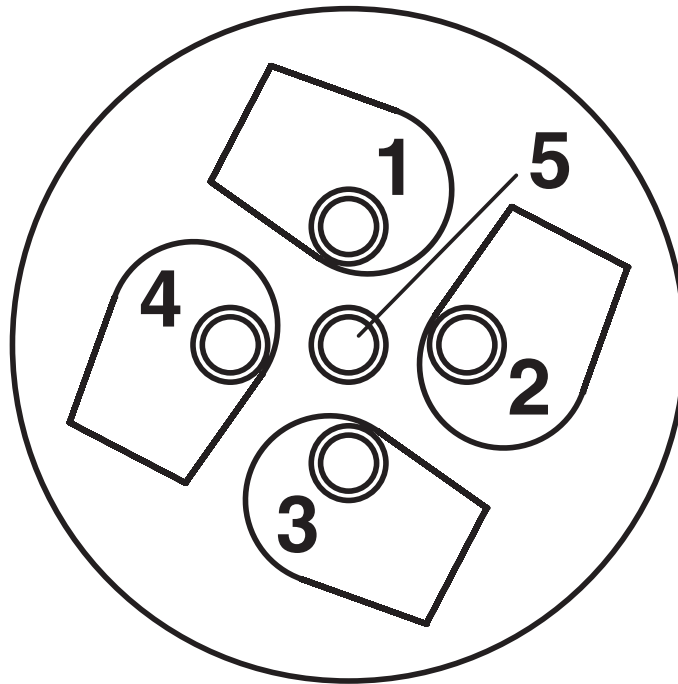


Plug, M12 x 1, straight

1403371

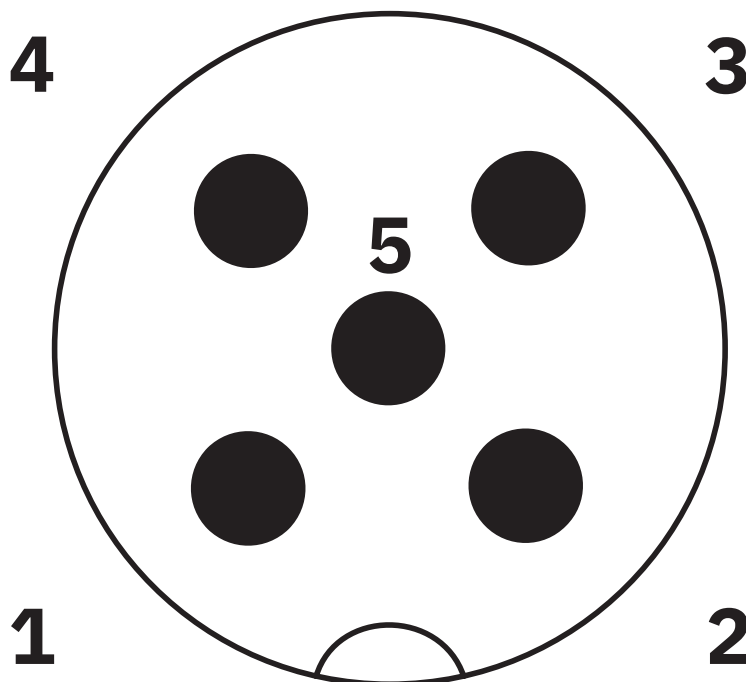
<https://www.phoenixcontact.com/us/products/1403371>

Schematic diagram



Cable connection side M12 (screw connection)

Schematic diagram



Pin assignment M12 male connector, 5-pos., A-coded, male side

# SACC-M12MS-5CON-PG11-DUO VA - Connector



1403371

<https://www.phoenixcontact.com/us/products/1403371>

## Classifications

### ECLASS

ECLASS-13.0	27440116
ECLASS-15.0	27440116

### ETIM

ETIM 10.0	EC002635
-----------	----------

### UNSPSC

UNSPSC 21.0	39121400
-------------	----------

1403371

<https://www.phoenixcontact.com/us/products/1403371>

## Environmental product compliance

### EU RoHS

Fulfills EU RoHS substance requirements	Yes
Exemption	6(c)

### China RoHS

Environment friendly use period (EFUP)	EFUP-50
	An article-related China RoHS declaration table can be found in the download area for the respective article under "Manufacturer declaration". For all articles with EFUP-E, no China RoHS declaration table issued and required.

### EU REACH SVHC

REACH candidate substance (CAS No.)	Lead(CAS: 7439-92-1)
SCIP	1e79aff6-513b-4f7d-a227-65f91f8dfd1a

Phoenix Contact 2026 © - all rights reserved

<https://www.phoenixcontact.com>

Phoenix Contact USA  
586 Fulling Mill Road  
Middletown, PA 17057, United States  
(+717) 944-1300  
[info@phoenixcon.com](mailto:info@phoenixcon.com)