

SAC-8P- 5,0-285/FR SH SCO - Sensor/actuator cable



1403363

<https://www.phoenixcontact.com/us/products/1403363>

Please be informed that the data shown in this PDF document is generated from our online catalog. Please find the complete data in the user documentation. Our general terms of use for downloads are valid.



Sensor/actuator cable, 8-position, PUR, highly flexible, gray RAL 7001, shielded, free cable end, on Socket angled M12 SPEEDCON, coding: A, cable length: 5 m, Twisted pair cable

as in the figure, but with a gray conductor

Commercial data

Item number	1403363
Packing unit	1 pc
Minimum order quantity	50 pc
Product key	AF1CMA
GTIN	4046356649056
Weight per piece (including packing)	410.2 g
Weight per piece (excluding packing)	410.2 g
Country of origin	PL

1403363

<https://www.phoenixcontact.com/us/products/1403363>

Technical data

Product properties

Product type	Sensor/actuator cable
Number of positions	8
No. of cable outlets	1
Shielded	yes
Coding	A

Insulation characteristics

Overvoltage category	II
Degree of pollution	3

Material specifications

Flammability rating according to UL 94	HB
Seal material	NBR
Material of grip body	TPU, hardly inflammable, self-extinguishing
Contact material	CuZn
Contact surface material	Ni/Au
Contact carrier material	TPU GF
Material for screw connection	Zinc die-cast, nickel-plated

Electrical properties

Insulation resistance	$\geq 100 \text{ M}\Omega$
Nominal voltage U_N	30 V AC
	30 V DC
Nominal current I_N	2 A

Mechanical properties

Mechanical data

Insertion/withdrawal cycles	≥ 100
-----------------------------	------------

Signaling

Status display	no
Status display present	no

Connector

Connection 1

Type	free cable end
------	----------------

Connection 2

Type	Socket angled M12 SPEEDCON
Number of positions	8
Locking type	SPEEDCON

SAC-8P- 5,0-285/FR SH SCO - Sensor/actuator cable



1403363


<https://www.phoenixcontact.com/us/products/1403363>

Coding type	A
-------------	---

Cable/line

Cable length	5 m
--------------	-----

PUR, gray, shielded [285]

Dimensional drawing	
Number of positions	8
Shielded	yes
Cable type	PUR, gray, shielded [285]
Conductor structure signal line	32x 0.10 mm
AWG signal line	24
Conductor cross-section	4x 2x 0.25 mm ² (Signal line) 1x 0.25 mm ² (Drain wire)
External cable diameter	7.60 mm ±0.2 mm
Outer sheath, material	PUR
External sheath, color	gray RAL 7001
Conductor material	Bare Cu litz wires
Material wire insulation	PES
Single wire, color	white-brown, green-yellow, gray-pink, blue-red
Twisted pairs	2 cores to the pair
Overall twist	4 pairs for core
Optical shield covering	85 %
Insulation resistance	≥ 100 MΩ*km
Nominal voltage, cable	350 V
Test voltage	1200 V
Minimum bending radius, flexible installation	7.5 x D
Smallest bending radius, movable installation	57 mm
Dynamic load capacity (bending)	Max. bending cycles: 3000000, Bending radius: 100 mm, Traversing path: 1.2 m, Traversing rate: 1.4 m/s, Acceleration: 2 m/s ²
Resistance to oil	very good oil and chemical resistance
Other resistance	Ozone and UV resistant Low adhesion abrasion-resistant notch tough
Ambient temperature (operation)	-50 °C ... 80 °C (cable, fixed installation) -40 °C ... 80 °C (Cable, flexible installation)

SAC-8P- 5,0-285/FR SH SCO - Sensor/actuator cable



1403363

<https://www.phoenixcontact.com/us/products/1403363>

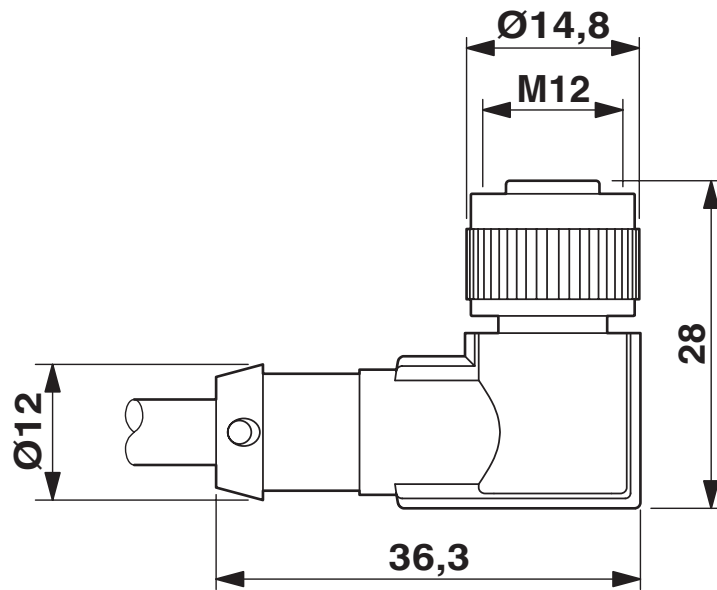
Environmental and real-life conditions

Ambient conditions

Degree of protection	IP65
	IP67
Ambient temperature (operation) (male connector/female connector)	-25 °C ... 90 °C (Plug / socket)

Drawings

Dimensional drawing



M12 x 1 socket, angled, shielded

Schematic diagram



Pin assignment M12 socket, 8-pos., A-coded, view female side

SAC-8P- 5,0-285/FR SH SCO - Sensor/actuator cable



1403363

<https://www.phoenixcontact.com/us/products/1403363>

Classifications

ECLASS

ECLASS-13.0	27060311
ECLASS-15.0	27060311

Phoenix Contact 2026 © - all rights reserved

<https://www.phoenixcontact.com>

Phoenix Contact USA
586 Fulling Mill Road
Middletown, PA 17057, United States
(+717) 944-1300
info@phoenixcon.com