

VS-M12MSS-IP20-94B/10,0/POE - Network cable



1402847

<https://www.phoenixcontact.com/us/products/1402847>

Please be informed that the data shown in this PDF document is generated from our online catalog. Please find the complete data in the user documentation. Our general terms of use for downloads are valid.



Assembled Ethernet cable, shielded, 4-pair, AWG 26 stranded (7-wire), RAL 5021 (water blue), M12 plug on RJ45 plug, SPEEDCON, length 10.0 m

Commercial data

Item number	1402847
Packing unit	1 pc
Minimum order quantity	50 pc
Product key	AF1CMI
GTIN	4046356633161
Weight per piece (including packing)	469.6 g
Weight per piece (excluding packing)	2 g
Country of origin	PL

1402847

<https://www.phoenixcontact.com/us/products/1402847>

Technical data

Product properties

Product type	Data cable preassembled
Number of positions	8
Number of slots	1
Shielded	yes

Insulation characteristics

Overvoltage category	I
Degree of pollution	1

Electrical properties

Nominal voltage U_N	30 V AC
	30 V DC
Nominal current I_N	0.5 A
Wave impedance	100 Ω
Max. conductor resistance	150 m Ω /m

Mechanical properties

Mechanical data

Insertion/withdrawal cycles	≥ 100
-----------------------------	------------

Material specifications

Outer sheath, material	PUR
Conductor material	Bare Cu litz wires

Connector

Connection 1

Type	Plug straight M12
------	-------------------

Connection 2

Type	free cable end
------	----------------

Cable/line

Cable length	10 m
Cable weight	44 kg/km
Cable type	Ethernet
Cable structure	4x2xAWG26/7; S/FTP
External cable diameter	6.70 mm
Outer sheath, material	PUR
External sheath, color	water blue RAL 5021
Wire diameter incl. insulation	1 mm
Cable cross section	0.14 mm ²

VS-M12MSS-IP20-94B/10,0/POE - Network cable



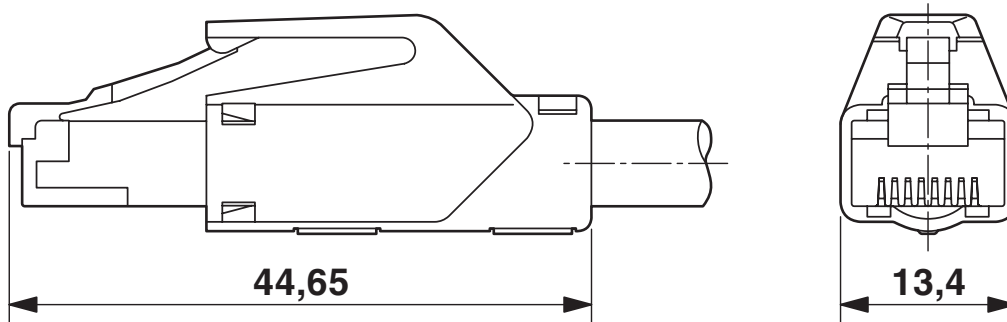
1402847

<https://www.phoenixcontact.com/us/products/1402847>

Conductor material	Bare Cu litz wires
Conductor structure signal line	7x 0.16 mm
AWG signal line	26
Material wire insulation	Cell PE
Shielding	Tinned copper braided shield
Cable resistance	$\leq 150 \text{ m}\Omega/\text{m}$
Cable insulation resistance	$\geq 5 \text{ G}\Omega \cdot \text{km}$
Wave impedance	$100 \Omega \pm 5 \% \text{ (at 100 MHz)}$
Working capacitance	42 pF
Signal runtime	46 ns/m
Signal speed	0.72 c
Smallest bending radius, fixed installation	min. 33.5 mm
Smallest bending radius, movable installation	min. 33.5 mm

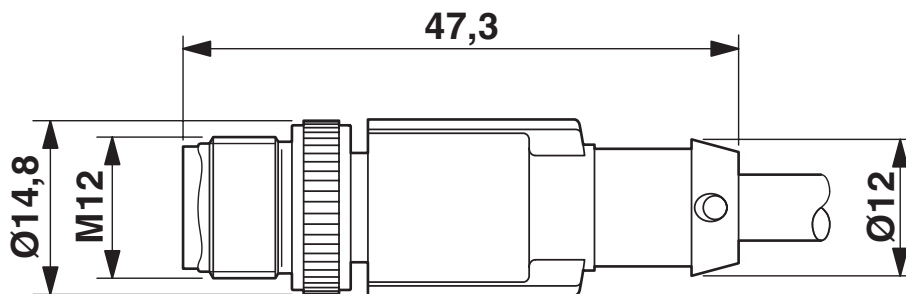
Drawings

Dimensional drawing



RJ45 connector dimensional drawing

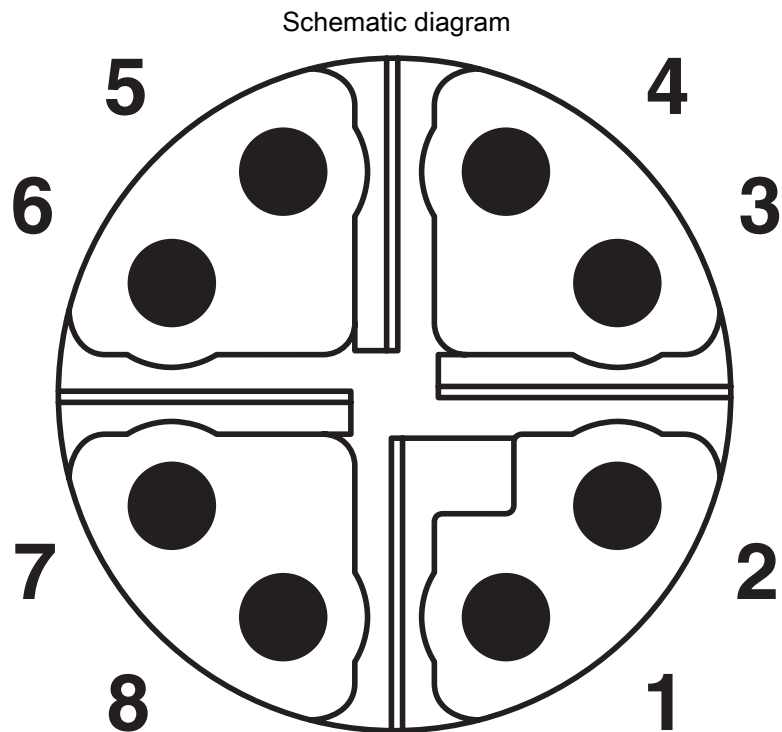
Dimensional drawing



M12 connector dimensional drawing

1402847

<https://www.phoenixcontact.com/us/products/1402847>



M12 Cat6_A, 8-pos. plug pin assignment, pin side view

Schematic diagram



Connector pin assignment plug RJ45

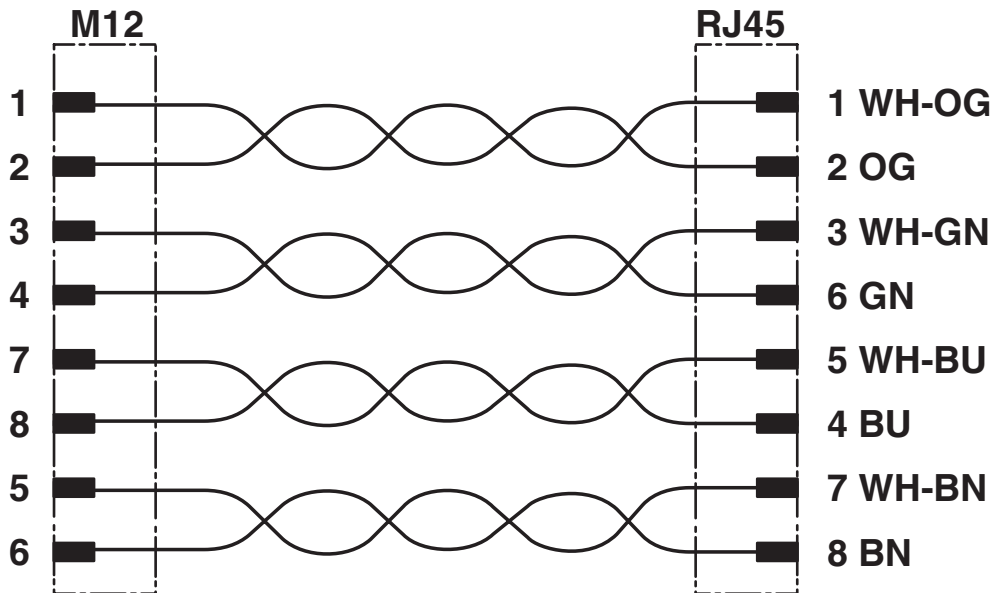
VS-M12MSS-IP20-94B/10,0/POE - Network cable



1402847

<https://www.phoenixcontact.com/us/products/1402847>

Circuit diagram



VS-M12MSS-IP20-94B/10,0/POE - Network cable



1402847

<https://www.phoenixcontact.com/us/products/1402847>

Classifications

ECLASS

ECLASS-13.0	27060307
ECLASS-15.0	27060307

Phoenix Contact 2026 © - all rights reserved

<https://www.phoenixcontact.com>

Phoenix Contact USA
586 Fulling Mill Road
Middletown, PA 17057, United States
(+717) 944-1300
info@phoenixcon.com