

SAC-3P-M12MS/14,0-PUR/M 8FR SH - Sensor/actuator cable



1402359

<https://www.phoenixcontact.com/us/products/1402359>

Please be informed that the data shown in this PDF document is generated from our online catalog. Please find the complete data in the user documentation. Our general terms of use for downloads are valid.



Sensor/actuator cable, 3-position, PUR halogen-free, black-gray RAL 7021, shielded, Plug straight M12, coding: A, on Socket angled M8, cable length: 14 m

Commercial data

Item number	1402359
Packing unit	1 pc
Minimum order quantity	50 pc
Product key	AF1CIA
GTIN	4046356607131
Weight per piece (including packing)	494.9 g
Weight per piece (excluding packing)	494.9 g
Country of origin	PL

SAC-3P-M12MS/14,0-PUR/M 8FR SH - Sensor/actuator cable



1402359

<https://www.phoenixcontact.com/us/products/1402359>

Technical data

Product properties

Product type	Sensor/actuator cable
Number of positions	3
No. of cable outlets	1
Shielded	yes
Coding	A

Insulation characteristics

Overvoltage category	II
Degree of pollution	3

Material specifications

Flammability rating according to UL 94	HB
Seal material	NBR
Material of grip body	TPU, hardly inflammable, self-extinguishing
Contact material	CuSn
Contact surface material	Ni/Au
Contact carrier material	TPU GF
Material for screw connection	Zinc die-cast, nickel-plated

Electrical properties

Insulation resistance	≥ 100 MΩ
Nominal voltage U_N	250 V AC
	250 V DC
Nominal current I_N	4 A

Mechanical properties

Mechanical data

Insertion/withdrawal cycles	≥ 100
-----------------------------	-------

Signaling

Status display	no
Status display present	no

Connector

Connection 1

Type	Plug straight M12
Number of positions	3
Coding type	A

Connection 2

Type	Socket angled M8
------	------------------

SAC-3P-M12MS/14,0-PUR/M 8FR SH - Sensor/actuator cable



1402359

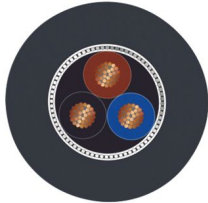
<https://www.phoenixcontact.com/us/products/1402359>

Number of positions	3
---------------------	---

Cable/line

Cable length	14 m
--------------	------

PUR halogen-free black [PUR]

Dimensional drawing	
Cable weight	26 kg/km
UL AWM Style	20549
Number of positions	3
Shielded	yes
Cable type	PUR halogen-free black [PUR]
Conductor structure signal line	32x 0.10 mm
AWG signal line	24
Conductor cross-section	3x 0.25 mm ² (Signal line)
Wire diameter incl. insulation	1.17 mm ±0.02 mm (Signal line)
External cable diameter	4.35 mm ±0.2 mm
Outer sheath, material	PUR
External sheath, color	black-gray RAL 7021
Conductor material	Bare Cu litz wires
Material wire insulation	PP
Single wire, color	brown, blue, black
Thickness, insulation	≥ 0.21 mm (Core insulation) ≥ 0.50 mm (Outer cable sheath)
Overall twist	3 wires, twisted
Optical shield covering	80 %
Max. conductor resistance	max. 79 Ω/km
Insulation resistance	≥ 100 GΩ*km
Nominal voltage, cable	300 V
Test voltage	3000 V
Smallest bending radius, fixed installation	22 mm
Smallest bending radius, movable installation	44 mm
Dynamic load capacity (bending)	Max. bending cycles: 10000000, Bending radius: 50 mm, Traversing path: 10 m, Traversing rate: 3 m/s, Acceleration: 10 m/s ²
Dynamic load capacity (torsion)	Torsion: ±180 °/m, Torsion cycles: ≥2000000, Torsional frequency: 35 cycles/min.
Halogen-free	in accordance with DIN VDE 0472 part 815

SAC-3P-M12MS/14,0-PUR/M 8FR SH - Sensor/actuator cable



1402359

<https://www.phoenixcontact.com/us/products/1402359>

Flame resistance	in accordance with UL 758/1581 FT2
	DIN EN 60332-2-2 (20 s)
Resistance to oil	in accordance with DIN EN 60811-2-1
Other resistance	Highly resistant to acids, alkaline solutions and solvents
	hydrolysis and microbe resistant
	partly UV-resistant (in accordance with DIN EN ISO 4892-2-A)
Special properties	Flexible cable conduit capable
	Silicone-free
	Free of substances which would hinder coating with paint or varnish
Ambient temperature (operation)	-40 °C ... 80 °C (cable, fixed installation)
	-25 °C ... 80 °C (Cable, flexible installation)

Environmental and real-life conditions

Ambient conditions

Degree of protection	IP65
	IP67
Ambient temperature (operation)	-25 °C ... 90 °C (Plug / socket)
	-25 °C ... 80 °C (cable, fixed installation)
	-5 °C ... 80 °C (Cable, flexible installation)

SAC-3P-M12MS/14,0-PUR/M 8FR SH - Sensor/actuator cable

1402359

<https://www.phoenixcontact.com/us/products/1402359>

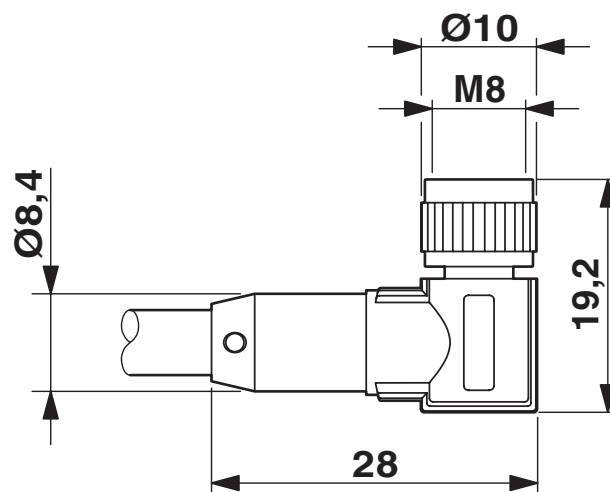
Drawings

Dimensional drawing



Plug, M12 x 1, straight, shielded

Dimensional drawing



Socket M8 x 1, angled, shielded

SAC-3P-M12MS/14,0-PUR/M 8FR SH - Sensor/actuator cable

1402359

<https://www.phoenixcontact.com/us/products/1402359>

Schematic diagram



Pin assignment M12 plug, 3-pos., A-coded, view male side

Schematic diagram



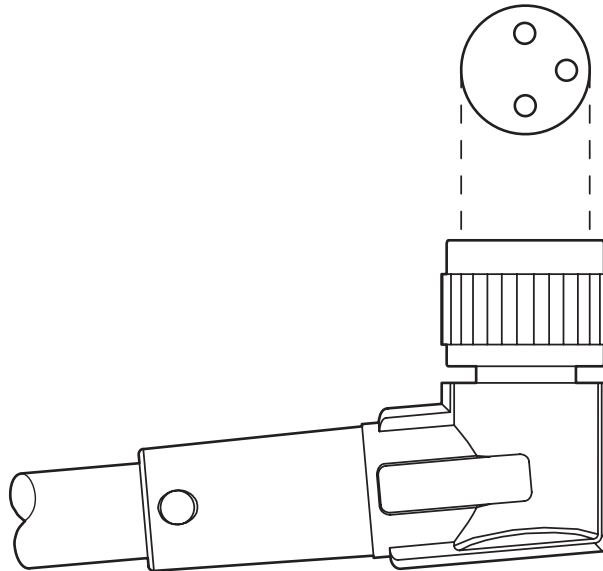
Pin assignment M12 socket, 3-pos., A-coded, view female side

SAC-3P-M12MS/14,0-PUR/M 8FR SH - Sensor/actuator cable

1402359

<https://www.phoenixcontact.com/us/products/1402359>

Schematic diagram



Layout of connector pin assignments

SAC-3P-M12MS/14,0-PUR/M 8FR SH - Sensor/actuator cable



1402359

<https://www.phoenixcontact.com/us/products/1402359>

Classifications

ECLASS

ECLASS-13.0	27060311
ECLASS-15.0	27060311

SAC-3P-M12MS/14,0-PUR/M 8FR SH - Sensor/actuator cable



1402359

<https://www.phoenixcontact.com/us/products/1402359>

Environmental product compliance

China RoHS

Environment friendly use period (EFUP)	EFUP-50
	An article-related China RoHS declaration table can be found in the download area for the respective article under "Manufacturer declaration". For all articles with EFUP-E, no China RoHS declaration table issued and required.

EU REACH SVHC

REACH candidate substance (CAS No.)	No substance above 0.1 wt%
-------------------------------------	----------------------------

Phoenix Contact 2026 © - all rights reserved
<https://www.phoenixcontact.com>

Phoenix Contact USA
586 Fulling Mill Road
Middletown, PA 17057, United States
(+717) 944-1300
info@phoenixcon.com