

VS-M12MR-IP20-93E-X/1,0 - Network cable



1401430

<https://www.phoenixcontact.com/us/products/1401430>

Please be informed that the data shown in this PDF document is generated from our online catalog. Please find the complete data in the user documentation. Our general terms of use for downloads are valid.



Assembled Ethernet cable, CAT5e, shielded, 2-pair, 26 AWG stranded (7-wire), RAL 5021 (water blue), M12 plug to RJ45 plug/IP20, crossover, length: 1 m

Commercial data

Item number	1401430
Packing unit	1 pc
Minimum order quantity	50 pc
Product key	AF1CJI
GTIN	4046356555296
Weight per piece (including packing)	75.6 g
Weight per piece (excluding packing)	75.6 g
Country of origin	PL

VS-M12MR-IP20-93E-X/1,0 - Network cable



1401430

<https://www.phoenixcontact.com/us/products/1401430>

Technical data

Product properties

Product type	Data cable preassembled
Number of positions	4
Number of slots	1

Insulation characteristics

Degree of pollution	3
---------------------	---

Electrical properties

Nominal voltage U_N	48 V AC
	60 V DC
Transmission characteristics (category)	CAT5 (IEC 11801:2002)

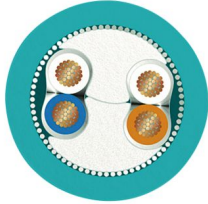
Material specifications

Flammability rating according to UL 94	V2
--	----

Cable/line

Cable length	1 m
--------------	-----

Ethernet [93E]

Dimensional drawing	
Cable weight	43 kg/km
Number of positions	4
Shielded	yes
Cable type	Ethernet [93E]
Conductor structure	2x2xAWG26/7, SF/UTP
Signal runtime	4.3 ns/m
Signal speed	0.77 c
Conductor structure signal line	7x 0.16 mm
AWG signal line	26
Conductor cross-section	2x 2x 0.14 mm ²
Wire diameter incl. insulation	1 mm -0.2 mm
External cable diameter	5.75 mm ±0.15 mm
Outer sheath, material	PUR
External sheath, color	water blue RAL 5021

VS-M12MR-IP20-93E-X/1,0 - Network cable



1401430

<https://www.phoenixcontact.com/us/products/1401430>

Conductor material	Bare Cu litz wires
Material wire insulation	Foam-Skin PE
Single wire, color	white/orange-orange, white/green-green
Twisted pairs	2 cores to the pair
Overall twist	Two pairs with two fillers to the core
Optical shield covering	85 %
Max. conductor resistance	≤ 284 Ω/km
Insulation resistance	≥ 5 GΩ*km
Coupling resistance	≤ 5.00 mΩ/m (at 20 MHz)
Wave impedance	100 Ω ±15 % (at 1 ... 100 MHz)
Cable capacity	nom. 48 nF/km (At 800 Hz)
Nominal voltage, cable	50 V _{rms} 125 V (Peak value, not for high-power applications)
Test voltage Core/Core	1000 V _{rms}
Test voltage Core/Shield	500.00 V _{rms}
Smallest bending radius, fixed installation	30 mm (cable, fixed installation)
Smallest bending radius, movable installation	78 mm (Cable, flexible installation)
Tensile strength	≤ 50 N (temporary) ≤ 10 N (Permanent)
Near end crosstalk attenuation (NEXT)	66 dB/m (with 1 MHz) 57 dB/m (at 4 MHz) 52 dB/m (at 10 MHz) 50 dB/m (at 16 MHz) 47 dB/m (at 20 MHz) 45 dB/m (at 31.25 MHz) 40 dB/m (at 62.5 MHz) 36 dB/m (at 100 MHz)
Crosstalk attenuation (ACR)	6.57 dB/m (with 1 MHz) 5.64 dB/m (at 4 MHz) 5.12 dB/m (at 10 MHz) 4.89 dB/m (at 16 MHz) 4.57 dB/m (at 20 MHz) 4.34 dB/m (at 31.25 MHz) 3.77 dB/m (at 62.5 MHz) 3.31 dB/m (at 100 MHz)
Shield attenuation	0.028 dB/m (with 1 MHz) 0.06 dB/m (at 4 MHz) 0.085 dB/m (at 10 MHz) 0.115 dB/m (at 16 MHz) 0.128 dB/m (at 20 MHz) 0.162 dB/m (at 31.25 MHz) 0.23 dB/m (at 62.5 MHz) 0.29 dB/m (at 100 MHz)
Flame resistance	according to VDE 0482 Part 265-2-1

VS-M12MR-IP20-93E-X/1,0 - Network cable



1401430

<https://www.phoenixcontact.com/us/products/1401430>

	according to IEC 332-1
Ambient temperature (operation)	-30 °C ... 80 °C (cable, fixed installation)
Ambient temperature (installation)	-5 °C ... 60 °C

VS-M12MR-IP20-93E-X/1,0 - Network cable

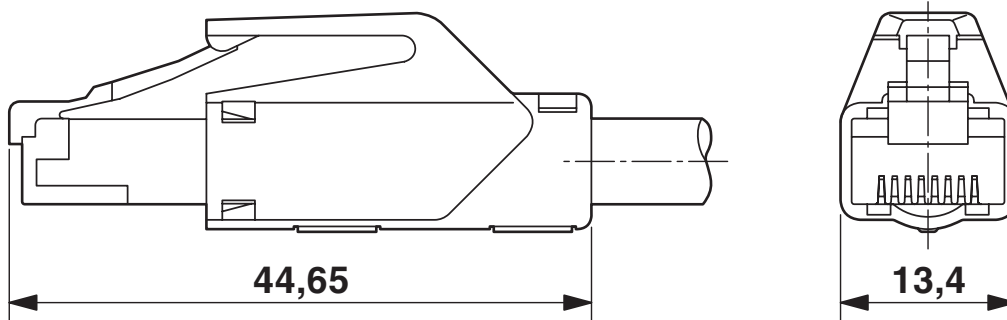


1401430

<https://www.phoenixcontact.com/us/products/1401430>

Drawings

Dimensional drawing



VS-M12MR-IP20-93E-X/1,0 - Network cable



1401430

<https://www.phoenixcontact.com/us/products/1401430>

Classifications

ECLASS

ECLASS-13.0	27060307
ECLASS-15.0	27060307

Phoenix Contact 2026 © - all rights reserved

<https://www.phoenixcontact.com>

Phoenix Contact USA
586 Fulling Mill Road
Middletown, PA 17057, United States
(+717) 944-1300
info@phoenixcon.com