

SACB-8/16-L- 5,0 80MC SCO - Distributor box



1401199

<https://www.phoenixcontact.com/us/products/1401199>

Please be informed that the data shown in this PDF document is generated from our online catalog. Please find the complete data in the user documentation. Our general terms of use for downloads are valid.



Distributor box, application: Robots and drag chains, connection method: M12 socket Metal, number of slots: 8, number of positions: 5, coding: A, slot assignment: Double, status display: yes, PNP; master cable connection: Fixed connection 180°, PUR, halogen free, highly flexible, highly flexible, cable length: 5 m, shielding: no

Your advantages

- Safety in the field, thanks to molded housing and high degree of protection
- Convenient: increased machine availability thanks to quick and easy diagnostics
- Save space: distributor box with double occupancy for two sensors in one slot
- Save time, thanks to installation with SPEEDCON fast locking system

Commercial data

Item number	1401199
Packing unit	1 pc
Minimum order quantity	1 pc
Sales key	BF42
Product key	AF3CCA
GTIN	4046356536110
Weight per piece (including packing)	1,313.6 g
Weight per piece (excluding packing)	1,269 g
Customs tariff number	85444290
Country of origin	DE

SACB-8/16-L- 5,0 80MC SCO - Distributor box



1401199

<https://www.phoenixcontact.com/us/products/1401199>

Technical data

Notes

Assembly note	NOTE: Observe the permissible bending radii when routing cables, since the degree of protection may be at risk if the bending forces are too high. Reduce mechanical loads upstream of the connector, e.g., by using cable ties.
Note on application	Unused slots are to be sealed off prior to commissioning. Suitable sealing elements are to be found under "Accessories".

Product properties

Product type	Distributor box
Application	Robots and drag chains
Number of positions	5
Number of slots	8
Coding	A

Electrical properties

Max. operating voltage U_{max}	30 V DC
Nominal voltage U_N	24 V DC
Rated current, total	12 A
Max. current carrying capacity per path	2 A
Current carrying capacity per slot	4 A

Connection data

Conductor connection

Sensor/actuator connection system	M12 socket
Tightening torque slot sensor/actuator cable	0.4 Nm
Tightening torque of mounting screw for fixing the housing	0.5 Nm

Connection assignment

Slot/position = Wire color or connection	1 / 4 (A) = WH
	1 / 2 (B) = GYPK
	2 / 4 (A) = GN
	2 / 2 (B) = RDBU
	3 / 4 (A) = YE
	3 / 2 (B) = WHGN
	4 / 4 (A) = GY
	4 / 2 (B) = BNGN
	5 / 4 (A) = PK
	5 / 2 (B) = WHYE
	6 / 4 (A) = RD
	6 / 2 (B) = YEEN
	7 / 4 (A) = BK

SACB-8/16-L- 5,0 80MC SCO - Distributor box



1401199

<https://www.phoenixcontact.com/us/products/1401199>

	7 / 2 (B) = WHGY
	8 / 4 (A) = VT
	8 / 2 (B) = GYBN
	1-8 / 1 (+ 24 V) = BN
	1-8 / 3 (0 V) = BU
	1-8 / 5 (PE) = GNYE

Signaling

Status display present	yes
------------------------	-----

Dimensions

Dimensional drawing	
Width	58 mm
Height	26 mm
Length	153 mm

Material specifications

Material Threaded sleeve	Die-cast zinc
Material Housing	PBT
Material Molding compound	PUR
Flammability rating according to UL 94	V0
Seal material O-ring	NBR
Contact material	Cu alloy
Contact surface material	gold-plated
Contact carrier material	PA

Cable/line

Cable length	5 m
--------------	-----

PUR halogen-free, highly flexible [80MC]

Dimensional drawing	
Number of positions	19

SACB-8/16-L- 5,0 80MC SCO - Distributor box



1401199

<https://www.phoenixcontact.com/us/products/1401199>

Shielded	no
Cable type	PUR halogen-free, highly flexible [80MC]
Conductor structure signal line	28x 0.15 mm
AWG signal line	20
Conductor structure, voltage supply	56x 0.15 mm
AWG power supply	17
Conductor cross-section	16x 0.5 mm ² (Signal line) 3x 1 mm ² (power line)
External cable diameter	10.75 mm
Outer sheath, material	PUR
External sheath, color	black RAL 9005
Conductor material	Bare Cu litz wires
Material wire insulation	PP
Single wire, color	brown, blue, green/yellow, white, green, yellow, gray, pink, red, black, violet, gray/pink, red/blue, white/green, brown/green, white/yellow, yellow/brown, white/gray, gray/brown
Overall twist	Wires twisted to an optimum in two layers
Max. conductor resistance	39 Ω/km (Signal line) 19.5 Ω/m (power line)
Insulation resistance	≥ 10 MΩ*km (at 20 °C)
Nominal voltage, cable	300 V
Test voltage	2000 V
Smallest bending radius, fixed installation	90 mm
Smallest bending radius, movable installation	120 mm
Dynamic load capacity (bending)	Max. bending cycles: 5000000, Bending radius: 120 mm, Traversing path: 5 m, Traversing rate: 3 m/s, Acceleration: 5 m/s ²
Dynamic load capacity (torsion)	Torsion: ±120 °/m, Torsion cycles: ≥3000000
Halogen-free	The cable is halogen-free
Flame resistance	DIN EN 50265-2-1
Resistance to oil	in accordance with DIN EN 60811-2-1
Other resistance	somewhat resistant to welding sparks
Special properties	Silicone-free Free of substances which would hinder coating with paint or varnish
Ambient temperature (operation)	-30 °C ... 70 °C (cable, fixed installation) 5 °C ... 70 °C (Cable, flexible installation) to 80 °C (in acc. with UL)

Environmental and real-life conditions

Ambient conditions

Degree of protection	IP65
	IP67
	IP69K
Ambient temperature (operation)	-30 °C ... 90 °C

SACB-8/16-L- 5,0 80MC SCO - Distributor box



1401199

<https://www.phoenixcontact.com/us/products/1401199>

Standards and regulations

M12

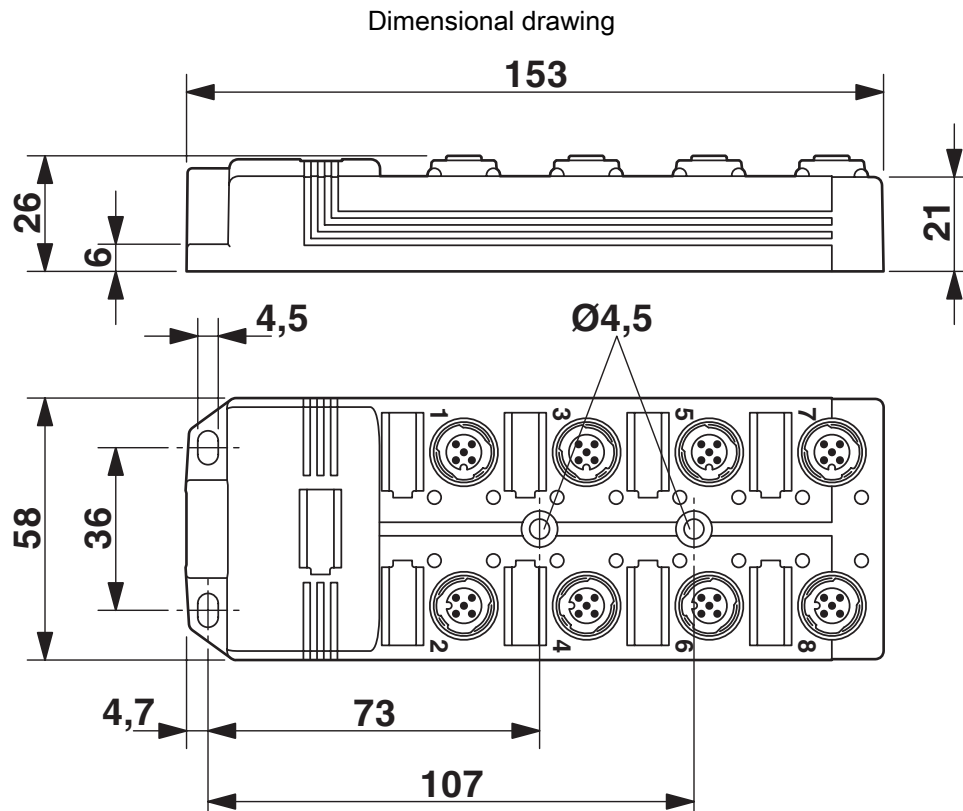
Standard designation	M12 connector
Standards/specifications	IEC 61076-2-101

SACB-8/16-L- 5,0 80MC SCO - Distributor box

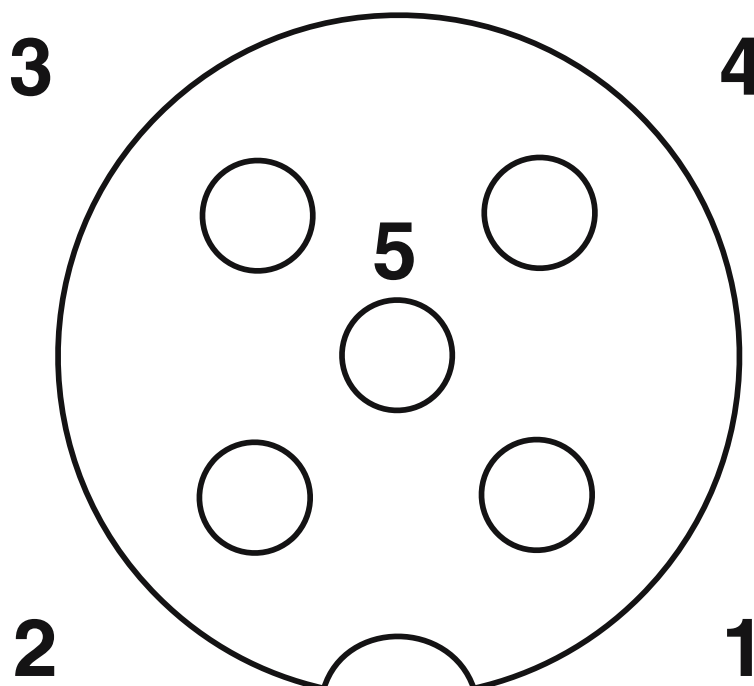
1401199

<https://www.phoenixcontact.com/us/products/1401199>

Drawings



Schematic diagram



M12 slot, socket, 5-pos.

SACB-8/16-L- 5,0 80MC SCO - Distributor box



1401199

<https://www.phoenixcontact.com/us/products/1401199>

Circuit diagram



SACB-8/16-L- 5,0 80MC SCO - Distributor box



1401199

<https://www.phoenixcontact.com/us/products/1401199>

Classifications

ECLASS

ECLASS-13.0	27440108
ECLASS-15.0	27440108

ETIM

ETIM 10.0	EC002585
-----------	----------

UNSPSC

UNSPSC 21.0	31251500
-------------	----------

SACB-8/16-L- 5,0 80MC SCO - Distributor box



1401199

<https://www.phoenixcontact.com/us/products/1401199>

Environmental product compliance

EU RoHS

Fulfills EU RoHS substance requirements	Yes, No exemptions
-----------------------------------------	--------------------

China RoHS

Environment friendly use period (EFUP)	EFUP-E
	No hazardous substances above the limits

EU REACH SVHC

REACH candidate substance (CAS No.)	No substance above 0.1 wt%
-------------------------------------	----------------------------

Phoenix Contact 2026 © - all rights reserved
<https://www.phoenixcontact.com>

Phoenix Contact USA
586 Fulling Mill Road
Middletown, PA 17057, United States
(+717) 944-1300
info@phoenixcon.com