

# SAC-5P-M12T/2XMIN DN - Bus system T-connector



1401028

<https://www.phoenixcontact.com/us/products/1401028>

Please be informed that the data shown in this PDF document is generated from our online catalog. Please find the complete data in the user documentation. Our general terms of use for downloads are valid.



Bus system T-connector, DeviceNet™, 5-position, unshielded, Plug straight 7/8"-16UNF, coding: A, on Socket straight M12, coding: A and Plug straight 7/8"-16UNF, coding: A, Parallel distributor

## Commercial data

Item number	1401028
Packing unit	1 pc
Sales key	BF10
Product key	AF1GCA
GTIN	4046356542623
Weight per piece (including packing)	84 g
Weight per piece (excluding packing)	84 g
Customs tariff number	85366990
Country of origin	DE

1401028

<https://www.phoenixcontact.com/us/products/1401028>

## Technical data

### Product properties

Product type	T-distributor
Sensor type	DeviceNet™
Number of positions	5
No. of cable outlets	2
Shielded	no
Thread type	M12 to 7/8"

### Insulation characteristics

Overvoltage category	II
Degree of pollution	3

### Electrical properties

Rated voltage in acc. with IEC 61076-2-101	60 V
Rated surge voltage	1500 V
Insulation resistance	≥ 100 MΩ
Nominal voltage U <sub>N</sub>	60 V
Nominal current I <sub>N</sub>	4 A

### Interfaces

Bus system	DeviceNet™
Signal type/category	DeviceNet™

### Signaling

Status display	no
Status display present	no

### Material specifications

Seal material	TPU
	NBR
Material of grip body	TPU
Contact material	CuZn
Contact surface material	Au
Contact carrier material	PA/TPE-U
Material for screw connection	Zinc die-cast, nickel-plated

### Connector

#### Connection 1

Type	Plug straight 7/8"-16UNF
Coding type	A

#### Connection 2

--	--

# SAC-5P-M12T/2XMIN DN - Bus system T-connector



1401028

<https://www.phoenixcontact.com/us/products/1401028>

Type	Socket straight M12
Coding type	A

## Connection 3

Type	Plug straight 7/8"-16UNF
Coding type	A

## Cable/line

Signal type/category	DeviceNet™
----------------------	------------

## Mechanical properties

### Mechanical data

Insertion/withdrawal cycles	≥ 100
-----------------------------	-------

## Environmental and real-life conditions

### Ambient conditions

Degree of protection	IP65
	IP67
Ambient temperature (operation) (male connector/female connector)	-40 °C ... 75 °C (Plug / socket)

## Standards and regulations

Standard designation	M12 connector
Standards/specifications	IEC 61076-2-101

# SAC-5P-M12T/2XMIN DN - Bus system T-connector

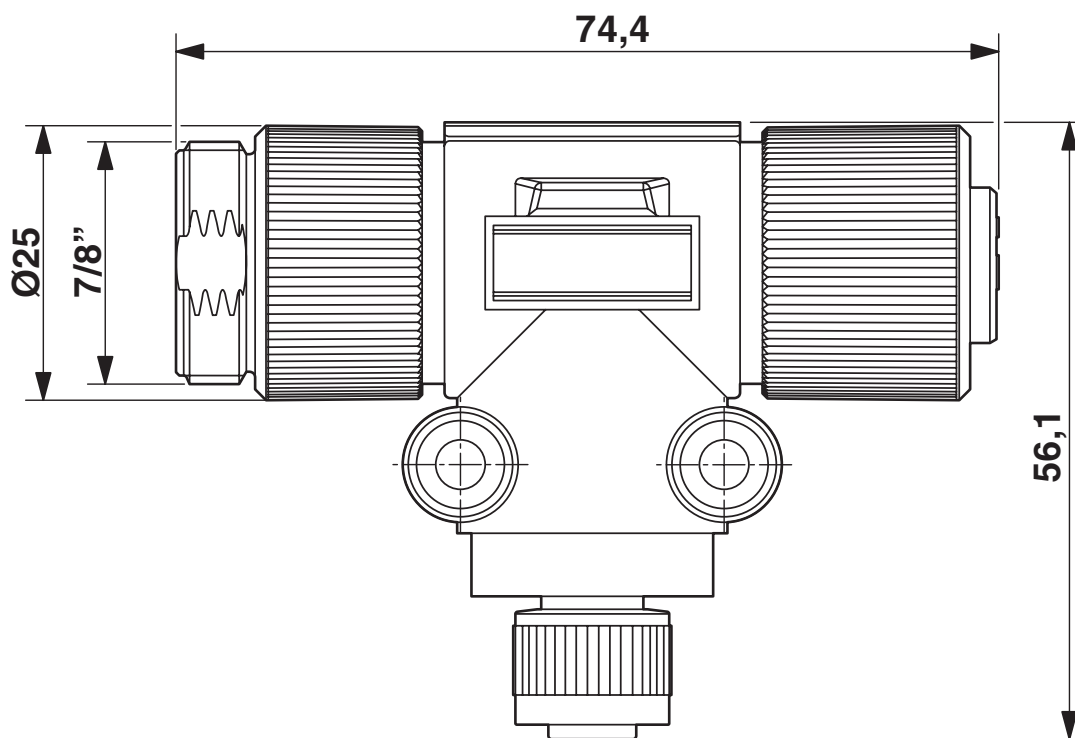


1401028

<https://www.phoenixcontact.com/us/products/1401028>

## Drawings

Dimensional drawing



M12 T-distributor on 7/8"

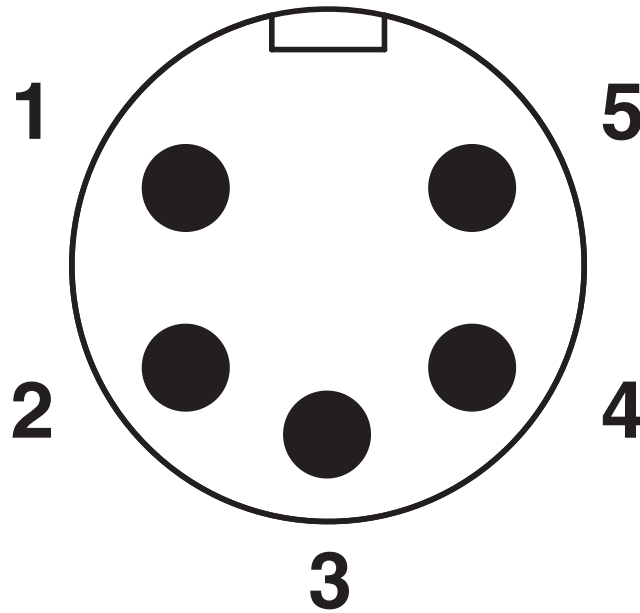
# SAC-5P-M12T/2XMIN DN - Bus system T-connector



1401028

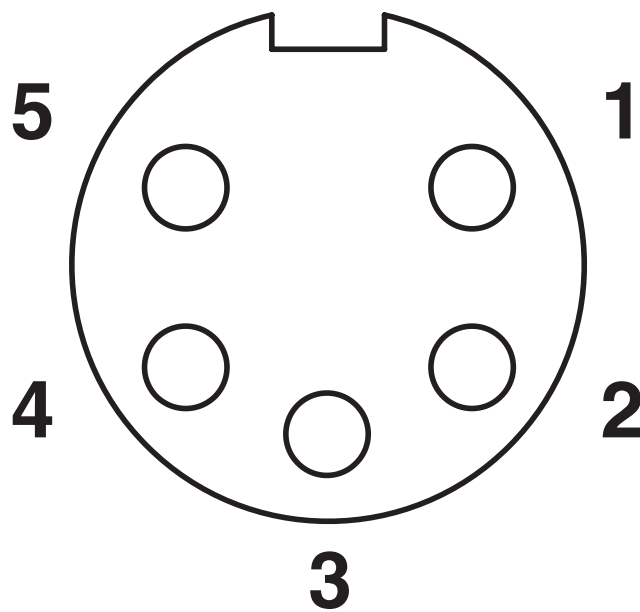
<https://www.phoenixcontact.com/us/products/1401028>

Schematic diagram



Pin assignment, plug, 7/8"-16UNF, 5-pos., view of male side

Schematic diagram



Pin assignment, socket, 7/8"-16UNF, 5-pos., view of female side

# SAC-5P-M12T/2XMIN DN - Bus system T-connector

1401028

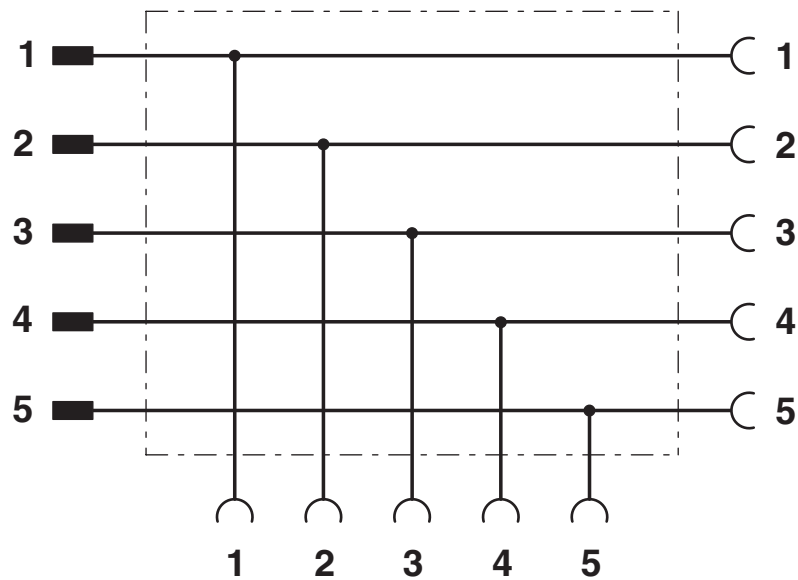
<https://www.phoenixcontact.com/us/products/1401028>

Schematic diagram



Pin assignment of M12 socket, 5-pos.

Circuit diagram



Contact assignment of M12 on 7/8" T distributor

# SAC-5P-M12T/2XMIN DN - Bus system T-connector



1401028

<https://www.phoenixcontact.com/us/products/1401028>

## Classifications

### ECLASS

ECLASS-13.0	27440106
ECLASS-15.0	27440106

### UNSPSC

UNSPSC 21.0	31251500
-------------	----------

1401028

<https://www.phoenixcontact.com/us/products/1401028>

## Environmental product compliance

### EU RoHS

Fulfills EU RoHS substance requirements	Yes
Exemption	6(c)

### China RoHS

Environment friendly use period (EFUP)	EFUP-50
	An article-related China RoHS declaration table can be found in the download area for the respective article under "Manufacturer declaration". For all articles with EFUP-E, no China RoHS declaration table issued and required.

### EU REACH SVHC

REACH candidate substance (CAS No.)	Lead(CAS: 7439-92-1)
-------------------------------------	----------------------

Phoenix Contact 2026 © - all rights reserved  
<https://www.phoenixcontact.com>

Phoenix Contact USA  
586 Fulling Mill Road  
Middletown, PA 17057, United States  
(+717) 944-1300  
[info@phoenixcon.com](mailto:info@phoenixcon.com)