

NS 15 PERF 1000MM - DIN rail perforated



1207646

<https://www.phoenixcontact.com/us/products/1207646>

Please be informed that the data shown in this PDF document is generated from our online catalog. Please find the complete data in the user documentation. Our general terms of use for downloads are valid.



DIN rail perforated, acc. to EN 60715, length: 1000 mm, material: Steel, galvanized, passivated with a thick layer, mounting type: Standard profile, color: silver-colored, Current dimensional tolerances: Profile tolerance due to burr/sharp edges = ± 0.5 mm, Initial dimension = ± 0.5 mm, Hole pattern = ± 0.5 mm, Hole position = ± 0.5 mm, Minimum rail length: Unperforated: > 20 mm, Perforated: > 100 mm, Last punching at Phoenix Contact: < 1750 mm

Commercial data

Item number	1207646
Packing unit	20 pc
Minimum order quantity	20 pc
Sales key	BH84
Product key	BH8421
GTIN	4046356366045
Weight per piece (including packing)	999 g
Weight per piece (excluding packing)	999 g
Customs tariff number	72166190
Country of origin	DE

NS 15 PERF 1000MM - DIN rail perforated



1207646

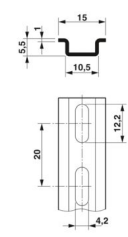
<https://www.phoenixcontact.com/us/products/1207646>

Technical data

Product properties

Product type	DIN rail
--------------	----------

Dimensions

Dimensional drawing	
Width	15 mm
Hole width	12.2 mm
Hole height	4.2 mm
Depth	5.5 mm
Length	1000 mm
Drill hole spacing	20 mm
Hole diameter	4.2 mm ... 12.2 mm

Material specifications

Color	silver-colored
Material	Steel
Coating	galvanized, passivated with a thick layer

Standards and regulations

Connection in acc. with standard	IEC / EN
Tests	acc. to EN 60715

Electrical tests

Short-time withstand current	
Equivalent E-Cu cross-section	10 mm ²
Short-time current resistance 1s	1.2 kA

NS 15 PERF 1000MM - DIN rail perforated

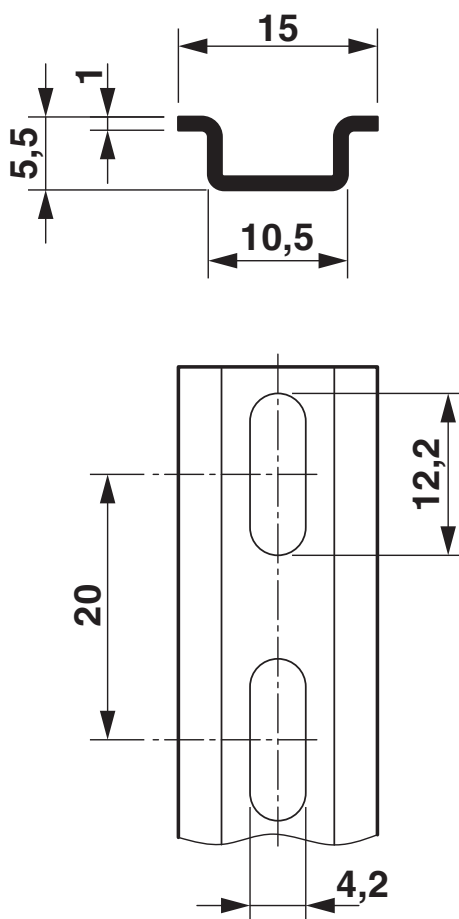
1207646

<https://www.phoenixcontact.com/us/products/1207646>



Drawings

Dimensional drawing



NS 15 PERF 1000MM - DIN rail perforated



1207646

<https://www.phoenixcontact.com/us/products/1207646>

Classifications

ECLASS

ECLASS-13.0	27400602
ECLASS-15.0	27400602

ETIM

ETIM 10.0	EC001285
-----------	----------

UNSPSC

UNSPSC 21.0	39121700
-------------	----------

NS 15 PERF 1000MM - DIN rail perforated



1207646

<https://www.phoenixcontact.com/us/products/1207646>

Environmental product compliance

EU RoHS

Fulfills EU RoHS substance requirements	Yes, No exemptions
---	--------------------

China RoHS

Environment friendly use period (EFUP)	EFUP-E
	No hazardous substances above the limits

EU REACH SVHC

REACH candidate substance (CAS No.)	No substance above 0.1 wt%
-------------------------------------	----------------------------

Phoenix Contact 2026 © - all rights reserved
<https://www.phoenixcontact.com>

Phoenix Contact USA
586 Fulling Mill Road
Middletown, PA 17057, United States
(+717) 944-1300
info@phoenixcon.com