

Screwdriver - SZF 2-0,8X4,0 - 1204520

Please be informed that the data shown in this PDF Document is generated from our Online Catalog. Please find the complete data in the user's documentation. Our General Terms of Use for Downloads are valid (<http://phoenixcontact.com/download>)




Actuation tool, for ST terminal blocks, also suitable for use as a bladed screwdriver, size: 0.8 x 4.0 x 100 mm, 2-component grip, with non-slip grip

Your advantages

- In addition to its standard application, this screwdriver is also ideal for actuating ST ... and QTC ... modular terminal blocks

Key Commercial Data

Packing unit	10 pc
GTIN	 4 017918 018955
GTIN	4017918018955

Technical data

Dimensions

Length (b)	198 mm
Width (a)	33 mm
Blade thickness	0.8 mm
Blade width	4 mm
Blade height	100 mm
Wrench size	0 mm

General

Type	Bladed
Material	alloyed tool steel
Test standard	DIN/ISO 2380-1
Weight	56 g

Standards and Regulations

Test standard	DIN/ISO 2380-1
---------------	----------------

Environmental Product Compliance

California Proposition 65	Further information on California's prop. 65 is available under "Downloads" in the manufacturer's declaration
---------------------------	---

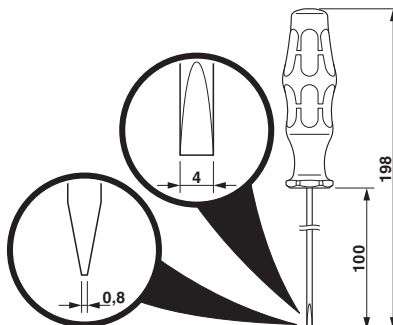
Drawings

Screwdriver - SZF 2-0,8X4,0 - 1204520

Pictogram



Dimensional drawing



Classifications

eCl@ss

eCl@ss 10.0.1	21040407
eCl@ss 11.0	21040407
eCl@ss 4.0	21040400
eCl@ss 4.1	21040400
eCl@ss 5.0	21040400
eCl@ss 5.1	21040400
eCl@ss 6.0	21040400
eCl@ss 7.0	21040407
eCl@ss 9.0	21040407

ETIM

ETIM 2.0	EC000158
ETIM 3.0	EC000158
ETIM 4.0	EC000158
ETIM 6.0	EC000158
ETIM 7.0	EC000158

UNSPSC

UNSPSC 6.01	27111701
UNSPSC 7.0901	27111701
UNSPSC 11	27111701
UNSPSC 12.01	27111701
UNSPSC 13.2	27111701
UNSPSC 18.0	27111701
UNSPSC 19.0	27111701
UNSPSC 20.0	27111701
UNSPSC 21.0	27111701

Approvals

Approvals

Screwdriver - SZF 2-0,8X4,0 - 1204520

Approvals

Approvals

EAC

Ex Approvals

Approval details

EAC



RU x-
DE.xx08.B.02974

Phoenix Contact 2021 © - all rights reserved
<http://www.phoenixcontact.com>

PHOENIX CONTACT GmbH & Co. KG

Flachsmarktstr. 8

32825 Blomberg

Germany

Tel. +49 5235 300

Fax +49 5235 3 41200

<http://www.phoenixcontact.com>