

BG/F - Flat bracket

1201060

<https://www.phoenixcontact.com/us/products/1201060>

Please be informed that the data shown in this PDF document is generated from our online catalog. Please find the complete data in the user documentation. Our general terms of use for downloads are valid.

Flat bracket, with M6 screw, for fixing DIN rails 12 mm above the mounting surface



Your advantages

- The BG/F brackets can be used to fix DIN rails at a distance from the mounting surface

Commercial data

| | |
|--------------------------------------|---------------|
| Item number | 1201060 |
| Packing unit | 10 pc |
| Minimum order quantity | 10 pc |
| Sales key | BE07 |
| Product key | BE7112 |
| GTIN | 4017918017194 |
| Weight per piece (including packing) | 31.85 g |
| Weight per piece (excluding packing) | 31.59 g |
| Customs tariff number | 73269098 |
| Country of origin | DE |

BG/F - Flat bracket

1201060

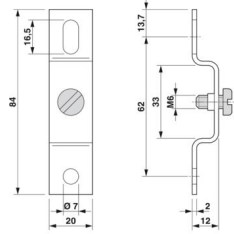
<https://www.phoenixcontact.com/us/products/1201060>

Technical data

Product properties

| | |
|--------------|----------|
| Product type | DIN rail |
|--------------|----------|

Dimensions

| | |
|---------------------|--|
| Dimensional drawing |  |
| Width | 20 mm |
| Height | 84 mm |
| Depth | 12 mm |
| Length | 84 mm |

Material specifications

| | |
|----------|---|
| Color | silver-colored |
| Material | Steel |
| Coating | galvanized, passivated with a thick layer |

BG/F - Flat bracket

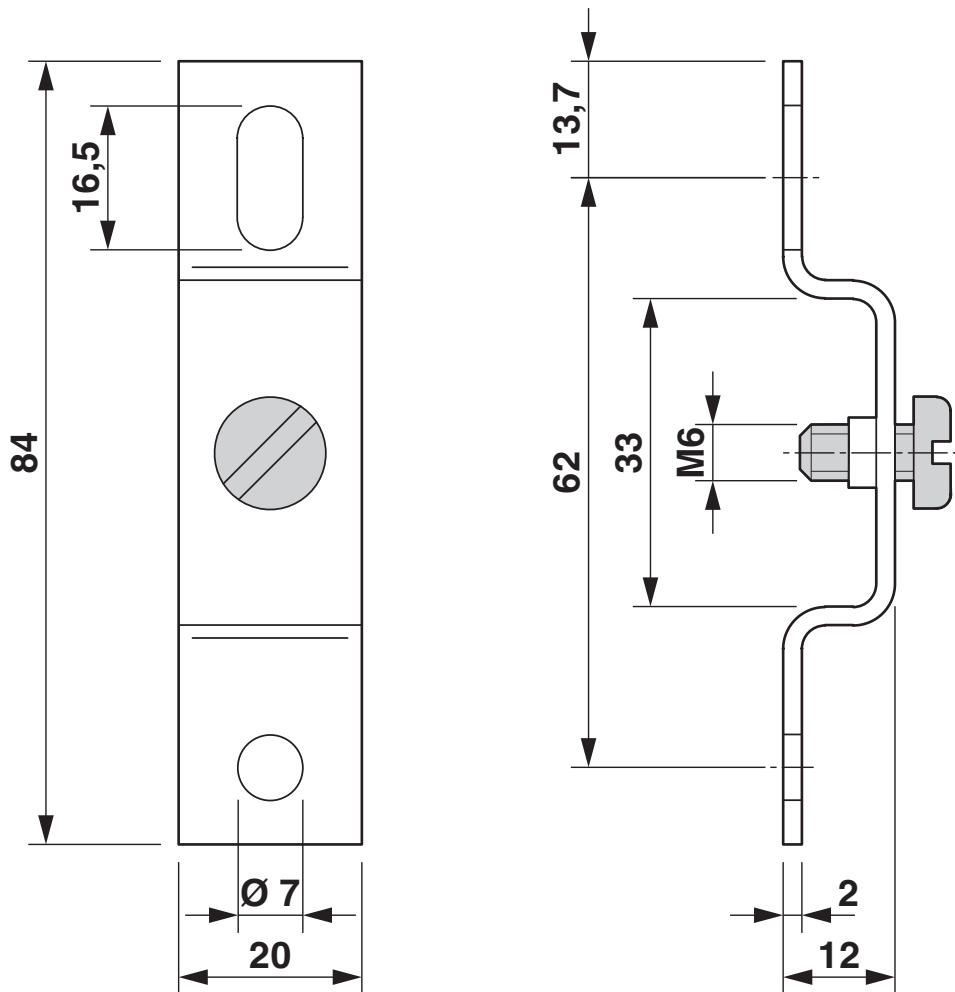
1201060

<https://www.phoenixcontact.com/us/products/1201060>



Drawings

Dimensional drawing



BG/F - Flat bracket



1201060

<https://www.phoenixcontact.com/us/products/1201060>

Classifications

ECLASS

| | |
|-------------|----------|
| ECLASS-13.0 | 27370419 |
| ECLASS-15.0 | 27370419 |

ETIM

| | |
|-----------|----------|
| ETIM 10.0 | EC001024 |
|-----------|----------|

UNSPSC

| | |
|-------------|----------|
| UNSPSC 21.0 | 39121400 |
|-------------|----------|

BG/F - Flat bracket



1201060

<https://www.phoenixcontact.com/us/products/1201060>

Environmental product compliance

EU RoHS

| | |
|---|--------------------|
| Fulfills EU RoHS substance requirements | Yes, No exemptions |
|---|--------------------|

China RoHS

| | |
|--|--|
| Environment friendly use period (EFUP) | EFUP-E |
| | No hazardous substances above the limits |

EU REACH SVHC

| | |
|-------------------------------------|----------------------------|
| REACH candidate substance (CAS No.) | No substance above 0.1 wt% |
|-------------------------------------|----------------------------|

EF3.1 Climate Change

| | |
|---------|---------------|
| CO2e kg | 0.081 kg CO2e |
|---------|---------------|

Phoenix Contact 2026 © - all rights reserved
<https://www.phoenixcontact.com>

Phoenix Contact USA
586 Fulling Mill Road
Middletown, PA 17057, United States
(+717) 944-1300
info@phoenixcon.com