

PRC 5-HEAD-MS6-2 - Contact carrier



1070199

<https://www.phoenixcontact.com/us/products/1070199>

Please be informed that the data shown in this PDF document is generated from our online catalog. Please find the complete data in the user documentation. Our general terms of use for downloads are valid.



Contact carrier, Range of articles: PRC 35, color: black, number of positions: 5, min. conductor cross-section: 1.5 mm², max. conductor cross-section: 6 mm², rated voltage: 690 V AC, rated current: 35 A, Connection method: Screw connection, Contact insert without connector housing. Please order the appropriate connector housings according to the accessories list.

Your advantages

- Versatile interfaces with straight and angled connector housings
- Universal accommodation of existing connector heads with screw connection technology
- Modular system for optimized storage
- Locking mechanism can be unlocked manually or using a tool
- Ideal for indoor and outdoor use due to weatherproof materials

Commercial data

Item number	1070199
Packing unit	1 pc
Minimum order quantity	1 pc
Sales key	AB03
Product key	ABLCBA
GTIN	4055626748160
Weight per piece (including packing)	52.4 g
Weight per piece (excluding packing)	38.046 g
Customs tariff number	85366990
Country of origin	PL

PRC 5-HEAD-MS6-2 - Contact carrier



1070199

<https://www.phoenixcontact.com/us/products/1070199>

Technical data

Notes

Order information:	Contact insert without connector housing. Please order the appropriate connector housings according to the accessories list.
Note on application	For assembly notes, please refer to the packing slip

Product properties

Product type	Contact insert
Product family	PRC 35
Number of positions	5
Connection profile	4+PE
Coding	AD

Insulation characteristics

Protection class	II
Degree of pollution	2

Electrical properties

Rated voltage (III/2)	690 V
Nominal voltage ATD	690 V AC (III/2.00) in accordance with IEC 61984
	600 V AC (III/2.00) in accordance with UL 2238/UL 2237, when mounted
	500 V DC (III/2.00) in accordance with IEC 61535, when mounted
Rated surge voltage (III/2)	8 kV
Rated current	35 A (With 6 mm ² conductor cross-section in accordance with IEC 61984)
	32 A (With 6 mm ² conductor cross-section in accordance with IEC 61535)
	21.4 A (With 6 mm ² conductor cross-section and 85 °C in accordance with 2 PfG 1915)
	35 A (with AWG 10, in accordance with UL 2237)

Connection data

Connection method	Screw connection
Tightening torque	... 1 Nm
Conductor cross-section flexible	4 mm ² ... 6 mm ²
Conductor cross-section rigid	1.5 mm ² ... 6 mm ²

Dimensions

Width	35.9 mm
Height	34.5 mm
Length	48.4 mm

Material specifications

PRC 5-HEAD-MS6-2 - Contact carrier



1070199

<https://www.phoenixcontact.com/us/products/1070199>

Color (Housing)	black (RAL 9005)
Color of the housing part	black
Material Seal	EPDM (Housing seal)
Material Contact carrier	PPE
Material Contact	CuZn (Contact material, Pb < 0.1)
Material Housing	PPE
Flammability rating according to UL 94	V0
Insulating material group	I / CTI 600
Contact surface material	silver-plated
O-ring material	EPDM

Cable/line

Single wire, cross section	1.5 mm ² 6 mm ²
Stripping length of the individual wire	12 mm (Lay PE conductor 8 mm leading)
Halogen-free	yes

Mechanical properties

Mechanical data

Insertion/withdrawal cycles	2000 (Test specification: IEC 60512-13-2)
-----------------------------	---

Environmental and real-life conditions

Ambient conditions

Degree of protection	IP66/IP68 (2 m / 24 h) IP69K (when mounted) IP66/IP68 (2 m / 24 h) IP69K
Category of shock impact	IK08 (-25°C)
Ambient temperature (operation)	-40 °C ... 105 °C (dependent on the derating curve)
Ambient temperature (storage/transport)	-40 °C ... 70 °C
Ambient temperature (assembly)	-5 °C ... 85 °C

PRC 5-HEAD-MS6-2 - Contact carrier

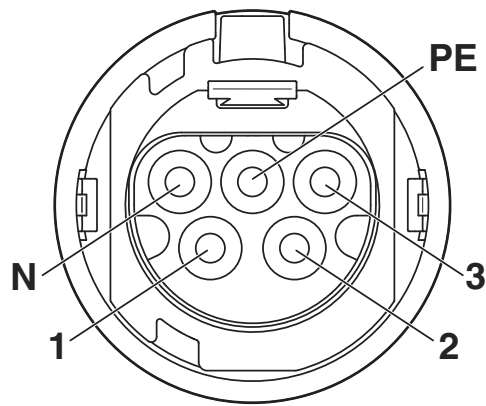
1070199

<https://www.phoenixcontact.com/us/products/1070199>



Drawings

Schematic diagram



Connector pin assignment

PRC 5-HEAD-MS6-2 - Contact carrier



1070199

<https://www.phoenixcontact.com/us/products/1070199>

Approvals

To download certificates, visit the product detail page: <https://www.phoenixcontact.com/us/products/1070199>



cUL Recognized

Approval ID: E468743-20200116



UL Recognized

Approval ID: E468743-20200116



VDE Zeichengenehmigung

Approval ID: 40054231

	Nominal voltage U_N	Nominal current I_N	Cross section AWG	Cross section mm^2
keine				
	690 V	35 A	-	-



VDE Zeichengenehmigung

Approval ID: 40054228

	Nominal voltage U_N	Nominal current I_N	Cross section AWG	Cross section mm^2
keine				
	500 V	32 A	-	-

PRC 5-HEAD-MS6-2 - Contact carrier



1070199

<https://www.phoenixcontact.com/us/products/1070199>

Classifications

ECLASS

ECLASS-13.0	27440605
ECLASS-15.0	27440605

ETIM

ETIM 10.0	EC002560
-----------	----------

UNSPSC

UNSPSC 21.0	39121400
-------------	----------

PRC 5-HEAD-MS6-2 - Contact carrier



1070199

<https://www.phoenixcontact.com/us/products/1070199>

Environmental product compliance

EU RoHS

Fulfills EU RoHS substance requirements	Yes, No exemptions
---	--------------------

China RoHS

Environment friendly use period (EFUP)	EFUP-E
	No hazardous substances above the limits

EU REACH SVHC

REACH candidate substance (CAS No.)	Triphenyl phosphate(CAS: 115-86-6)
SCIP	0e1152ff-a36b-4e85-98b6-fbe46f1760ff

Phoenix Contact 2026 © - all rights reserved

<https://www.phoenixcontact.com>

Phoenix Contact USA
586 Fulling Mill Road
Middletown, PA 17057, United States
(+717) 944-1300
info@phoenixcon.com