

# FT NUT M25 BU - Nut

1049831

<https://www.phoenixcontact.com/us/products/1049831>



Please be informed that the data shown in this PDF document is generated from our online catalog. Please find the complete data in the user documentation. Our general terms of use for downloads are valid.

Nut, Range of articles: PRC 35, color: blue



## Product description

Nut for color-coding device interfaces

## Your advantages

- Color coding for PRC connectors
- Easy installation
- Other colors available on request

## Commercial data

|                                      |               |
|--------------------------------------|---------------|
| Item number                          | 1049831       |
| Packing unit                         | 10 pc         |
| Minimum order quantity               | 10 pc         |
| Sales key                            | AB03          |
| Product key                          | ABL CZB       |
| GTIN                                 | 4055626662992 |
| Weight per piece (including packing) | 3.22 g        |
| Weight per piece (excluding packing) | 2.766 g       |
| Customs tariff number                | 39269097      |
| Country of origin                    | PL            |

# FT NUT M25 BU - Nut

1049831

<https://www.phoenixcontact.com/us/products/1049831>

## Technical data

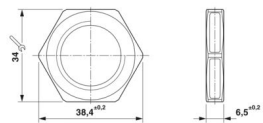
### Product properties

|                |                    |
|----------------|--------------------|
| Product type   | Panel feed-through |
| Product family | PRC 35             |

### Insulation characteristics

|                     |   |
|---------------------|---|
| Degree of pollution | 2 |
|---------------------|---|

### Dimensions

|                        |  |
|------------------------|--|
| Dimensional drawing    |  |
| Width                  | 6.5 mm   |
| Height                 | 38.4 mm  |
| Length                 | 34 mm  |
| Wrench size, union nut | 34 mm  |

### Material specifications

|  |                 |
|--|-----------------|
| Color (Housing)                        | blue (RAL 5015) |
| Flammability rating according to UL 94 | V0              |
| Material for screw connection          | PA              |

### Environmental and real-life conditions

#### Ambient conditions

|   |                  |
|---|------------------|
| Ambient temperature (operation)         | -40 °C ... 85 °C |
| Ambient temperature (storage/transport) | -20 °C ... 65 °C |
| Ambient temperature (assembly)          | -5 °C ... 85 °C  |

# FT NUT M25 BU - Nut

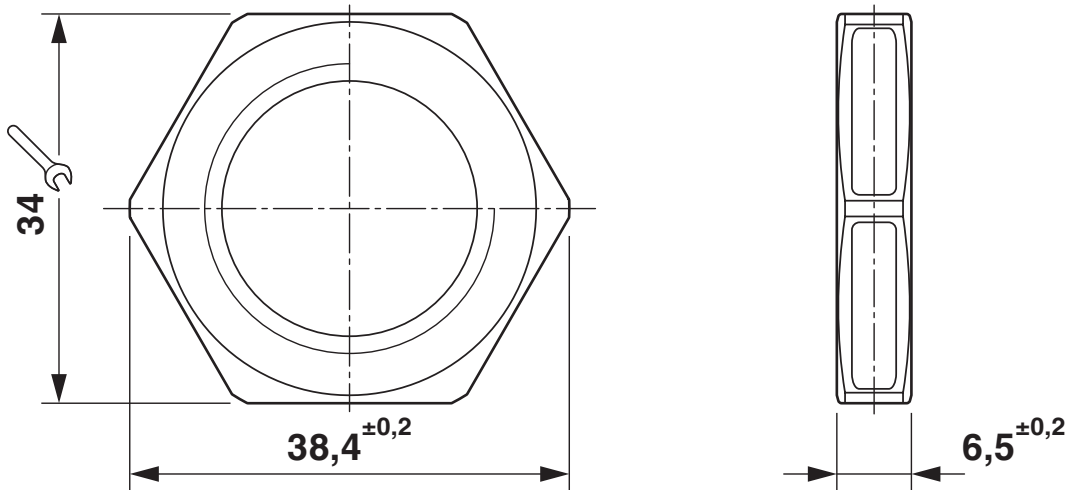
1049831

<https://www.phoenixcontact.com/us/products/1049831>



## Drawings

Dimensional drawing



# FT NUT M25 BU - Nut



1049831

<https://www.phoenixcontact.com/us/products/1049831>

## Classifications

### ECLASS

|             |          |
|-------------|----------|
| ECLASS-13.0 | 27440691 |
| ECLASS-15.0 | 27440192 |

### ETIM

|           |          |
|-----------|----------|
| ETIM 10.0 | EC002943 |
|-----------|----------|

### UNSPSC

|             |          |
|-------------|----------|
| UNSPSC 21.0 | 39121400 |
|-------------|----------|

# FT NUT M25 BU - Nut



1049831

<https://www.phoenixcontact.com/us/products/1049831>

## Environmental product compliance

### EU RoHS

|   |                    |
|---|--------------------|
| Fulfills EU RoHS substance requirements | Yes, No exemptions |
|---|--------------------|

### China RoHS

|  |  |
|--|--|
| Environment friendly use period (EFUP) | EFUP-E                                   |
|  | No hazardous substances above the limits |

### EU REACH SVHC

|                                     |                            |
|-------------------------------------|----------------------------|
| REACH candidate substance (CAS No.) | No substance above 0.1 wt% |
|-------------------------------------|----------------------------|

Phoenix Contact 2026 © - all rights reserved  
<https://www.phoenixcontact.com>

Phoenix Contact USA  
586 Fulling Mill Road  
Middletown, PA 17057, United States  
(+717) 944-1300  
[info@phoenixcon.com](mailto:info@phoenixcon.com)