

H5S:D1FF:3C5FF:DP - Housing



1046945

<https://www.phoenixcontact.com/us/products/1046945>

Please be informed that the data shown in this PDF document is generated from our online catalog. Please find the complete data in the user documentation. Our general terms of use for downloads are valid.



HEAVYPORT B48 panel mounting base, with single screw lock, with plastic protective cover, with stainless steel front plate connections 3x RJ45 CAT5e (female/female), 1x D-SUB 9 (female/female), 1x 120 V duplex outlet 20 A

Your advantages

- Good shielding in the event of electromagnetic interference

Commercial data

Item number	1046945
Packing unit	1 pc
Minimum order quantity	1 pc
Sales key	BF69
Product key	AF7EGX
GTIN	4055626644578
Weight per piece (including packing)	22.22 g
Weight per piece (excluding packing)	22.22 g
Country of origin	US

H5S:D1FF:3C5FF:DP - Housing

1046945

<https://www.phoenixcontact.com/us/products/1046945>

Technical data

Product properties

Product type	Stackable housing set
Application	Standard
Type	B48
Protective cover	yes

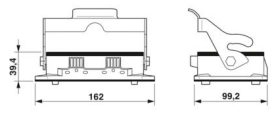
Electrical properties

Rated voltage (III/3)	max. 125 V AC (AC outlet, cULus)
Rated current	max. 1.5 A DC (RJ45)
	20 A (AC outlet, cULus)

Connection data

Tightening torque	1.5 ... 2 Nm
-------------------	--------------

Dimensions

Dimensional drawing	
Width	99.2 mm
Height	39.4 mm
Length	162 mm

Material specifications

Material	Stainless steel (Front plate)
Seal material	NBR, conductive
	NBR, conductive
Housing material	Die-cast aluminum, salt water resistant
Housing surface material	uncoated
Material, protective cover	PA
Locking latch material	Stainless steel

Connector

Contact insert design	with 3x RJ45 Cat 5E Ethernet Socket/socket, snap-in slot locking
	with 1x D-SUB 9 socket/socket #4-40 UNC bolts
	with 1x 120 V AC outlet Duplex 20 A

Environmental and real-life conditions

Ambient conditions

Degree of protection	IP65
Impact strength	IK08

H5S:D1FF:3C5FF:DP - Housing

1046945

<https://www.phoenixcontact.com/us/products/1046945>



Ambient temperature (operation)

-40 °C ... 125 °C (Housing)

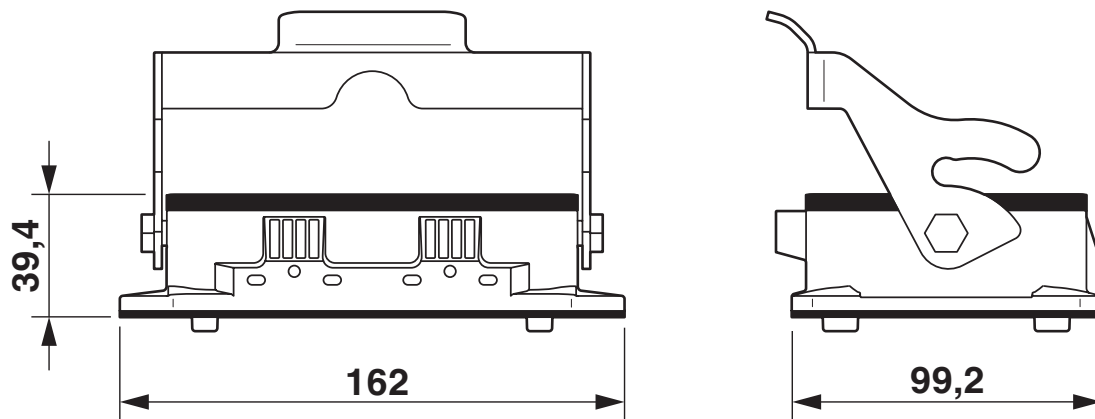
H5S:D1FF:3C5FF:DP - Housing

1046945

<https://www.phoenixcontact.com/us/products/1046945>

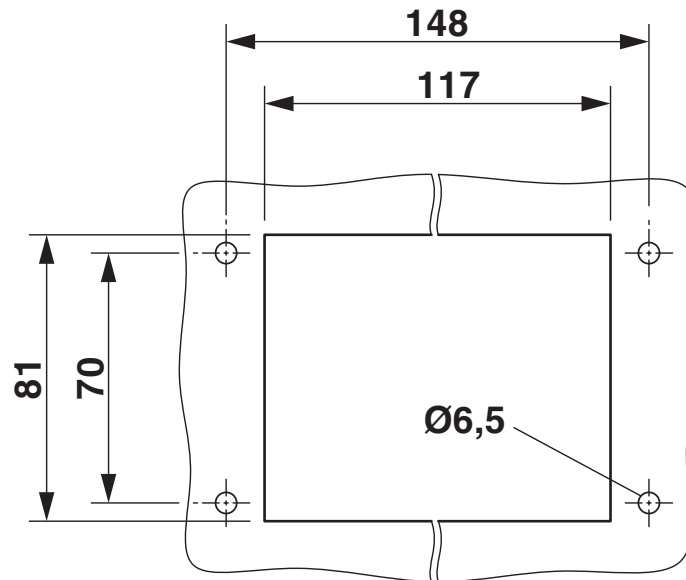
Drawings

Dimensional drawing



Dimensional drawing

Dimensional drawing



Mounting cutout

H5S:D1FF:3C5FF:DP - Housing



1046945

<https://www.phoenixcontact.com/us/products/1046945>

Classifications

ECLASS

ECLASS-13.0	27440113
ECLASS-15.0	27440113

ETIM

ETIM 9.0	EC002636
----------	----------

1046945

<https://www.phoenixcontact.com/us/products/1046945>

Environmental product compliance

China RoHS

Environment friendly use period (EFUP)	EFUP-50
	An article-related China RoHS declaration table can be found in the download area for the respective article under "Manufacturer declaration". For all articles with EFUP-E, no China RoHS declaration table issued and required.

EU REACH SVHC

REACH candidate substance (CAS No.)	No substance above 0.1 wt%
-------------------------------------	----------------------------

Phoenix Contact 2026 © - all rights reserved
<https://www.phoenixcontact.com>

Phoenix Contact USA
586 Fulling Mill Road
Middletown, PA 17057, United States
(+717) 944-1300
info@phoenixcon.com