

H4X:D2FF:AC - Housing

1046944

<https://www.phoenixcontact.com/us/products/1046944>

Please be informed that the data shown in this PDF document is generated from our online catalog. Please find the complete data in the user documentation. Our general terms of use for downloads are valid.



HEAVYPORT B24 panel mounting base, with single locking latch, with plastic protective cover, with stainless steel front plate connections, 1x D-SUB 15 (female/female), 1x 120 V AC outlet

Your advantages

- Good shielding in the event of electromagnetic interference

Commercial data

Item number	1046944
Packing unit	1 pc
Minimum order quantity	1 pc
Note	Made to order (non-returnable)
Sales key	BF69
Product key	AF7EGX
GTIN	4055626645919
Weight per piece (including packing)	22.22 g
Weight per piece (excluding packing)	22.22 g
Country of origin	US

1046944

<https://www.phoenixcontact.com/us/products/1046944>

Technical data

Product properties

Product type	Stackable housing set
Application	Standard
Type	B24
Protective cover	yes

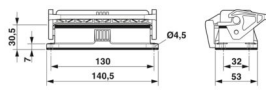
Electrical properties

Rated voltage (III/3)	max. 125 V AC (AC outlet, UL, CSA rating)
Rated current	15 A (AC outlet, UL, CSA rating)

Connection data

Tightening torque	1.5 ... 2 Nm
-------------------	--------------

Dimensions

Dimensional drawing	
Width	53 mm
Height	30.5 mm
Length	140.5 mm

Installation dimensions

Width of the assembly cutout	35 mm
Length of the assembly cutout	113 mm

Material specifications

Material	Stainless steel (Front plate)
Seal material	NBR, conductive
	NBR, conductive
Housing material	Die-cast aluminum, salt water resistant
Housing surface material	uncoated
Material, protective cover	PA
Locking latch material	Polyamide

Connector

Contact insert design	with 1x D-SUB 15 Pin/pin #4-40 UNC bolts
	with 1x 120 V AC outlet Terminal 6.35 mm. AC outlet requires slip-on sleeves: Item No. 3240539 or 3240536

Environmental and real-life conditions

Ambient conditions

Degree of protection	IP66
----------------------	------

H4X:D2FF:AC - Housing



1046944

<https://www.phoenixcontact.com/us/products/1046944>

	IP67
Impact strength	IK08
Ambient temperature (operation)	-40 °C ... 125 °C (Housing)

Standards and regulations

Standards/specifications	AC Outlet UL, cUL, CSA
--------------------------	------------------------

H4X:D2FF:AC - Housing



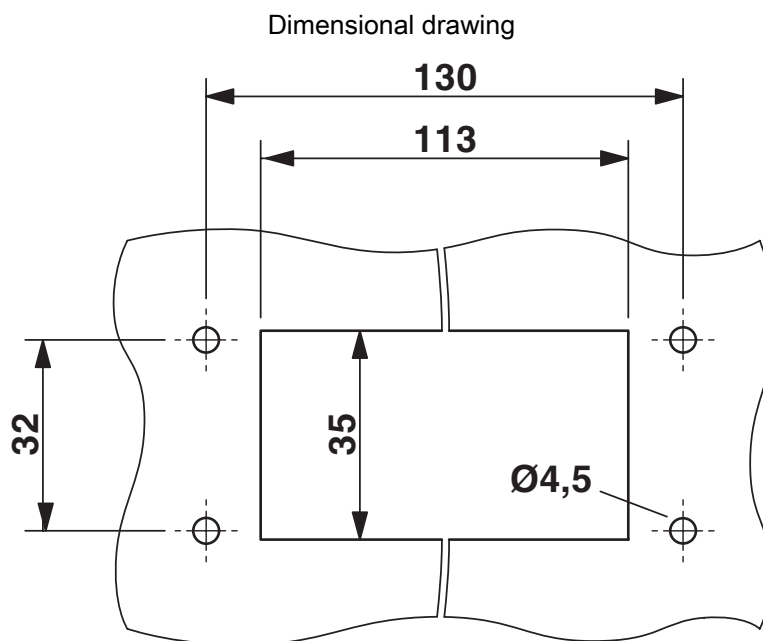
1046944

<https://www.phoenixcontact.com/us/products/1046944>

Drawings



Dimensional drawing



Mounting cutout

H4X:D2FF:AC - Housing

1046944

<https://www.phoenixcontact.com/us/products/1046944>



Classifications

ECLASS

ECLASS-13.0	27440113
ECLASS-15.0	27440113

ETIM

ETIM 9.0	EC002636
----------	----------

Environmental product compliance

EU RoHS

Fulfills EU RoHS substance requirements	Yes
Exemption	6(c)

China RoHS

Environment friendly use period (EFUP)	EFUP-50
	An article-related China RoHS declaration table can be found in the download area for the respective article under "Manufacturer declaration". For all articles with EFUP-E, no China RoHS declaration table issued and required.

EU REACH SVHC

REACH candidate substance (CAS No.)	Lead(CAS: 7439-92-1)
-------------------------------------	----------------------