

EV-GBM3SL12-1AC32A-0,7M6,0E10T - Infrastructure charging socket



1039245

<https://www.phoenixcontact.com/us/products/1039245>

Please be informed that the data shown in this PDF document is generated from our online catalog. Please find the complete data in the user documentation. Our general terms of use for downloads are valid.



CHARX connect basic, GB/T, Infrastructure charging socket, 32 A , 250 V AC, Gen 1, Single-core wires connected at one end, length: 0.5 m, locking actuator: 12 V, 3-pos., square, Rear panel mounting, housing: black, with temperature sensors, for charging electric vehicles with alternating current (AC), PHOENIX CONTACT logo, GB/T 20234.2-2015

Product description

Infrastructure charging socket for charging electric vehicles (EV) with alternating current (AC), compatible with GB/T Infrastructure Plugs, for installation at charging stations for E-Mobility (EVSE)

Your advantages

- Complete product range
- Uniform, space-saving installation space
- Available with your logo on request - for consistent branding of your charging station
- Integrated interlock during charging
- Manual emergency release of the locking actuator
- Developed and produced in accordance with the IATF 16949 automotive standard and ISO 9001

Commercial data

Item number	1039245
Packing unit	1 pc
Minimum order quantity	1 pc
Product key	XWBFBA
GTIN	4055626592145
Weight per piece (including packing)	560 g
Weight per piece (excluding packing)	550 g
Country of origin	CN

EV-GBM3SL12-1AC32A-0,7M6,0E10T - Infrastructure charging socket



1039245

<https://www.phoenixcontact.com/us/products/1039245>

Technical data

Product properties

Product type	Infrastructure charging socket
Product family	CHARX connect basic
Type	Gen 1
Design	with temperature sensors
Charging standard	GB/T
Charging mode	Mode 3, Case B
Design (Infrastructure charging socket)	square
Affixed logo	PHOENIX CONTACT logo
Customer variations	On request

Electrical properties

Note on the connection method	Crimp connection, cannot be disconnected
Temperature measurement	4x Pt 1000 (DIN EN 60751)

Charging power and current (AC charging, 1-phase)

Type of charging current	AC single-phase
Charging current	32 A AC (1-phase)
Charging power	8 kW (1-phase)
Charging power rating	7.4 kW (32 A, 1-phase)
Operating voltage	typ. 220 V AC

Pin assignment (Power contacts)

Number	3 (L1, N, PE)
Rated voltage	250 V AC
Rated current	32 A

Pin assignment (Signal contacts)

Type of signal transmission	Pulse width modulation
Number	2 (CP, CC)
Rated voltage	30 V AC
Rated current	2 A

Locking actuator

Locking actuator	12 V, 3-pos.
	Top center position

Temperature sensors (Pt 1000)

Sensor type	Pt 1000
Standards/regulations	DIN EN 60751
Attachment point	4 sensors for the AC contacts
Switch-off temperature	90 °C ±1 K (equivalent to a Pt 1000 value of 1346.5 Ω)

EV-GBM3SL12-1AC32A-0,7M6,0E10T - Infrastructure charging socket



1039245

<https://www.phoenixcontact.com/us/products/1039245>

Long-term stability	0.06 % (after 1000 hours at 130 °C)
Recommended measured current	1 mA (1 V at 0°C)
Coefficient	3850 ppm/K
Ambient temperature	-50 °C ... 130 °C (Operation)

Dimensions

Infrastructure charging socket

Dimensional drawing	<p>Dimensional drawing</p>
Width	75 mm
Height	96 mm
Depth	76.2 mm

Bore dimensions

Dimensional drawing	<p>Hole image</p>
Width	60 mm
Height	60 mm

Material specifications

Color (Housing)	black (9005)
Material (Housing)	Plastic
Material (Contact surface)	Silver

Cable/line

Cable length	0.5 m
Cable type	Single-core wires connected at one end
Cable structure	3 x 6.0 mm ² + 2 x 0.5 mm ²
Single wire, cross section	6.00 mm ²

Single-core wires for locking actuator

Cable length	0.5 m
--------------	-------

EV-GBM3SL12-1AC32A-0,7M6,0E10T - Infrastructure charging socket



1039245

<https://www.phoenixcontact.com/us/products/1039245>

Cable structure	4 x 0.5 mm ²
-----------------	-------------------------

Mechanical properties

Mechanical data

Insertion/withdrawal cycles	> 10000
Insertion force	< 100 N
Withdrawal force	< 100 N

Environmental and real-life conditions

Ambient conditions

Degree of protection (Infrastructure charging socket)	IP55 (plugged in)
---	-------------------

Standards and regulations

Standards

Standards/regulations	GB/T 20234.2-2015
-----------------------	-------------------

Mounting

Mounting type Infrastructure charging socket	Rear panel mounting (0 to 90 degree frontal inclination possible)
Mounting type Protective cover	rear (available separately)

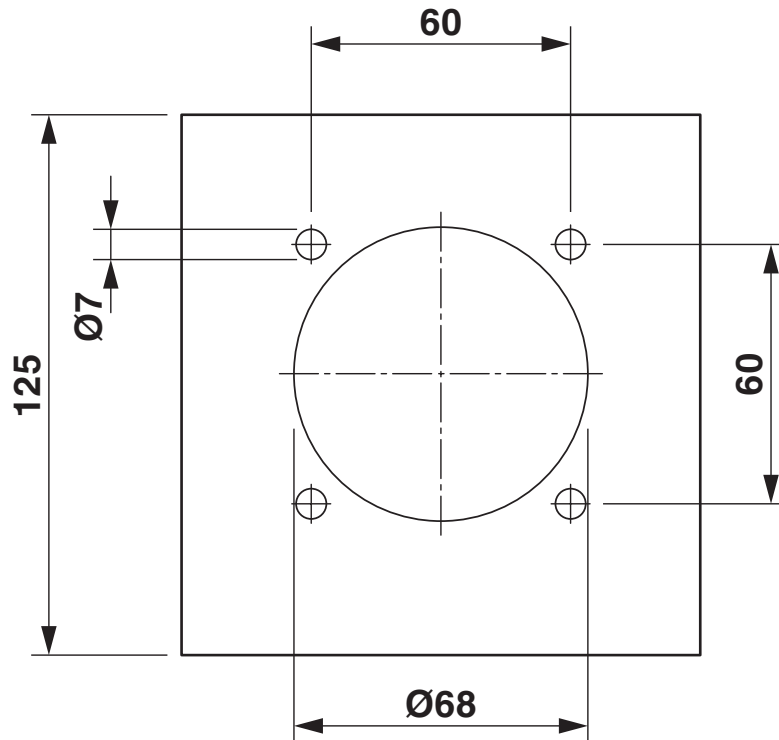
EV-GBM3SL12-1AC32A-0,7M6,0E10T - Infrastructure charging socket

1039245

<https://www.phoenixcontact.com/us/products/1039245>

Drawings

Dimensional drawing



Hole image

EV-GBM3SL12-1AC32A-0,7M6,0E10T - Infrastructure charging socket



1039245

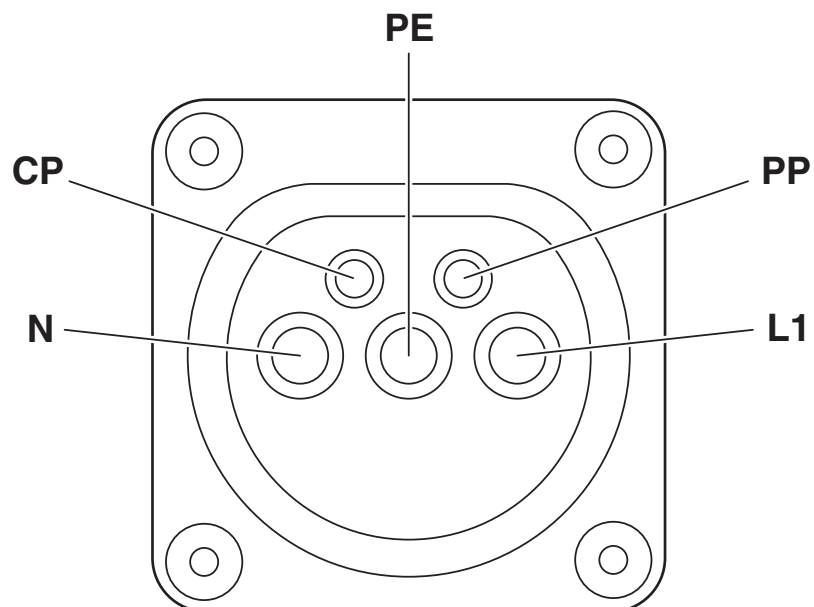
<https://www.phoenixcontact.com/us/products/1039245>

Dimensional drawing



Dimensional drawing

Connection diagram



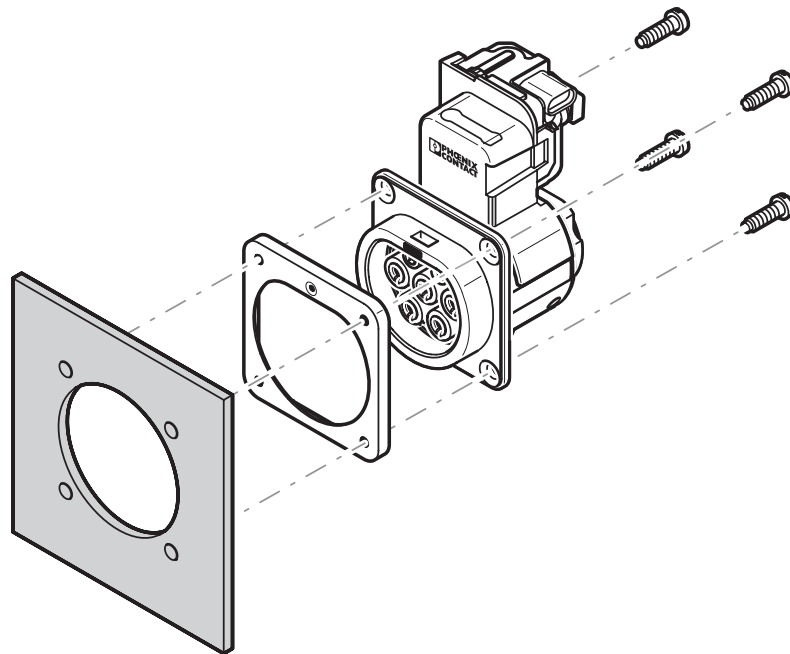
Pin assignment of infrastructure charging socket

EV-GBM3SL12-1AC32A-0,7M6,0E10T - Infrastructure charging socket

1039245

<https://www.phoenixcontact.com/us/products/1039245>

Schematic diagram



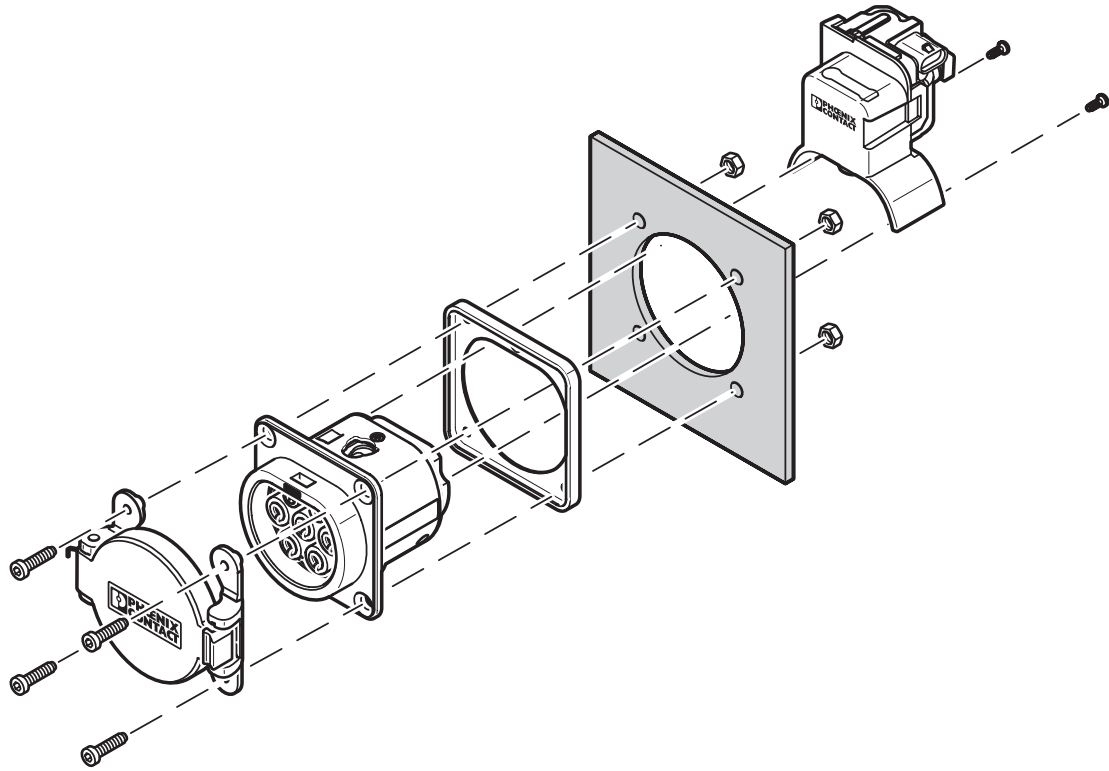
Rear mounting with locking actuator

EV-GBM3SL12-1AC32A-0,7M6,0E10T - Infrastructure charging socket

1039245

<https://www.phoenixcontact.com/us/products/1039245>

Schematic diagram



Front mounting with rear protective cover screw connection

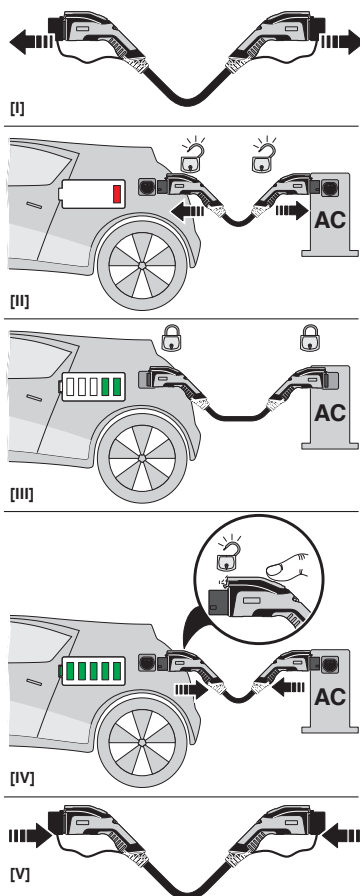
Front mounting is only possible when the locking actuator is removed. The screw connection for a protective cover from the accessories range (EV-GBSC...) only supports rear mounting.

EV-GBM3SL12-1AC32A-0,7M6,0E10T - Infrastructure charging socket

1039245

<https://www.phoenixcontact.com/us/products/1039245>

Schematic diagram



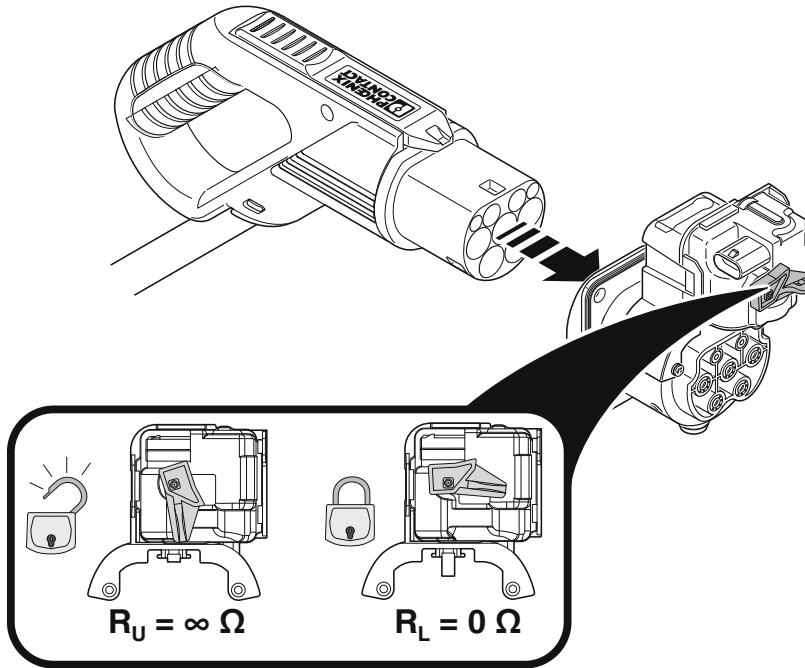
Operating instructions

EV-GBM3SL12-1AC32A-0,7M6,0E10T - Infrastructure charging socket

1039245

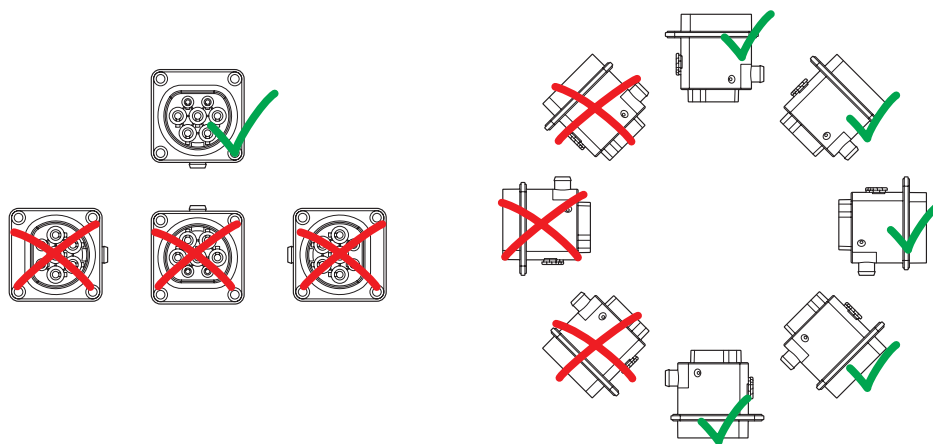
<https://www.phoenixcontact.com/us/products/1039245>

Schematic diagram



Detection of the Infrastructure Plug

Schematic diagram



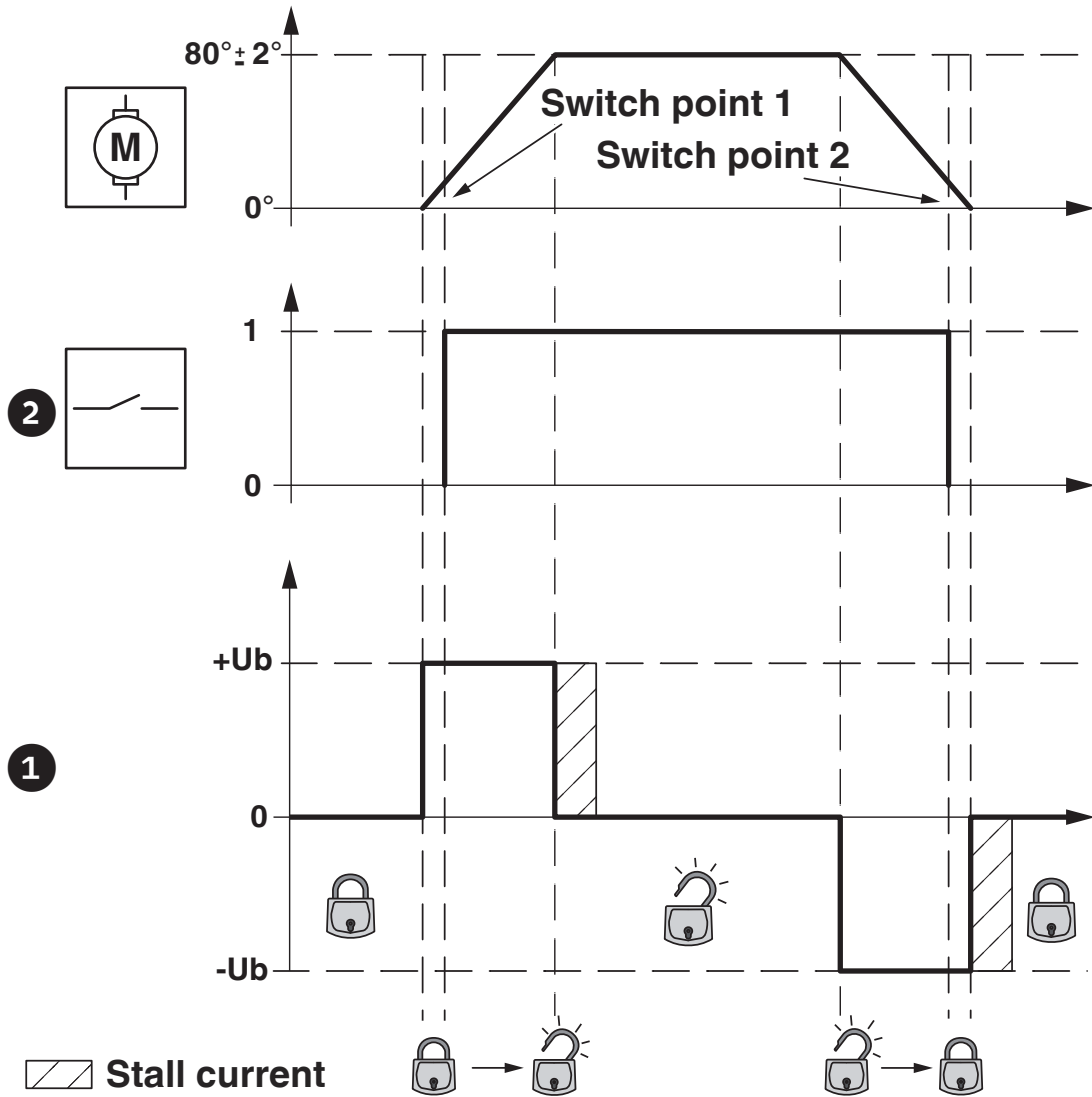
Installation positions

EV-GBM3SL12-1AC32A-0,7M6,0E10T - Infrastructure charging socket

1039245

<https://www.phoenixcontact.com/us/products/1039245>

Diagram

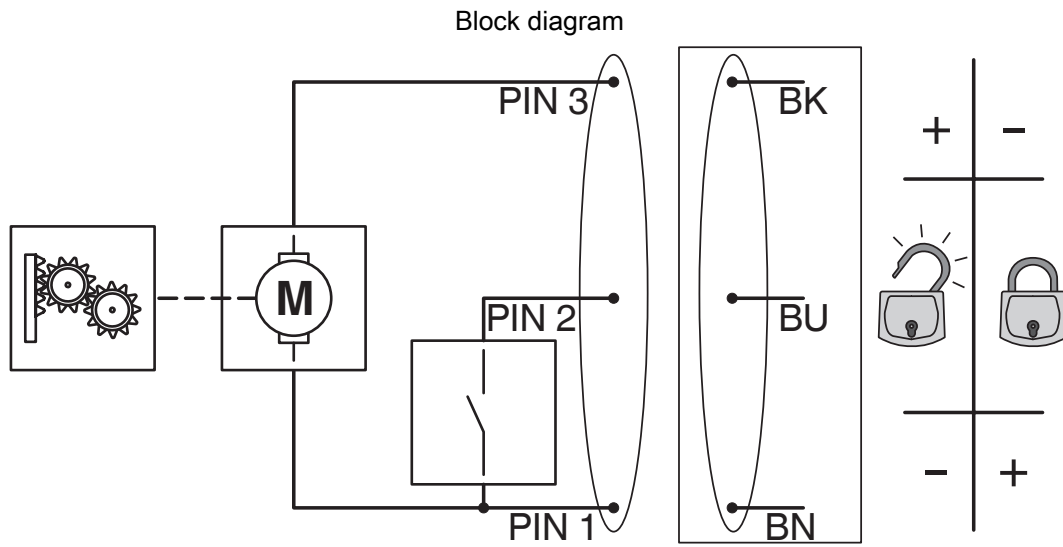


Locking states of the locking actuator

EV-GBM3SL12-1AC32A-0,7M6,0E10T - Infrastructure charging socket

1039245

<https://www.phoenixcontact.com/us/products/1039245>



Block diagram of the locking actuator

EV-GBM3SL12-1AC32A-0,7M6,0E10T - Infrastructure charging socket



1039245

<https://www.phoenixcontact.com/us/products/1039245>

Classifications

ECLASS

ECLASS-13.0	27144706
ECLASS-15.0	27144706

ETIM

ETIM 10.0	EC002898
-----------	----------

EV-GBM3SL12-1AC32A-0,7M6,0E10T - Infrastructure charging socket



1039245

<https://www.phoenixcontact.com/us/products/1039245>

Environmental product compliance

EU RoHS

Fulfills EU RoHS substance requirements	Yes
Exemption	6(c)

China RoHS

Environment friendly use period (EFUP)	EFUP-10
	An article-related China RoHS declaration table can be found in the download area for the respective article under "Manufacturer declaration". For all articles with EFUP-E, no China RoHS declaration table issued and required.

EU REACH SVHC

REACH candidate substance (CAS No.)	Lead(CAS: 7439-92-1)
-------------------------------------	----------------------

Phoenix Contact 2026 © - all rights reserved
<https://www.phoenixcontact.com>

Phoenix Contact USA
586 Fulling Mill Road
Middletown, PA 17057, United States
(+717) 944-1300
info@phoenixcon.com