

TMC 7 B1 END CAP - Wiring bridge end cover



1022231

<https://www.phoenixcontact.com/us/products/1022231>

Please be informed that the data shown in this PDF document is generated from our online catalog. Please find the complete data in the user documentation. Our general terms of use for downloads are valid.

Protective end covers for TMC 7 single-pole bus bars



Commercial data

Item number	1022231
Packing unit	10 pc
Minimum order quantity	1 pc
Sales key	CL09
Product key	CLA126
GTIN	4055626515717
Weight per piece (including packing)	0.86 g
Weight per piece (excluding packing)	1.4 g
Customs tariff number	39269097
Country of origin	DE

TMC 7 B1 END CAP - Wiring bridge end cover



1022231

<https://www.phoenixcontact.com/us/products/1022231>

Technical data

Product properties

Product type	Circuit breakers
Type	Cover

Material specifications

Color	light gray (RAL 7035)
	light gray (RAL 7035)

TMC 7 B1 END CAP - Wiring bridge end cover

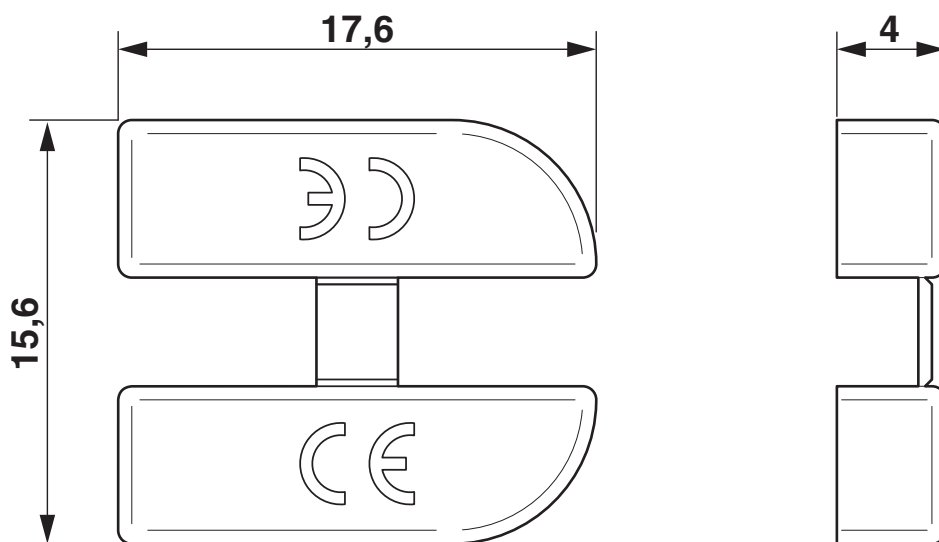
1022231

<https://www.phoenixcontact.com/us/products/1022231>



Drawings

Dimensional drawing



TMC 7 B1 END CAP - Wiring bridge end cover



1022231

<https://www.phoenixcontact.com/us/products/1022231>

Approvals

To download certificates, visit the product detail page: <https://www.phoenixcontact.com/us/products/1022231>



UL Listed

Approval ID: E123528



cUL Listed

Approval ID: E123528

TMC 7 B1 END CAP - Wiring bridge end cover



1022231

<https://www.phoenixcontact.com/us/products/1022231>

Classifications

ECLASS

ECLASS-13.0	27140492
ECLASS-15.0	27140492

ETIM

ETIM 10.0	EC002936
-----------	----------

UNSPSC

UNSPSC 21.0	39121400
-------------	----------

TMC 7 B1 END CAP - Wiring bridge end cover



1022231

<https://www.phoenixcontact.com/us/products/1022231>

Environmental product compliance

EU RoHS

Fulfills EU RoHS substance requirements	Yes, No exemptions
---	--------------------

China RoHS

Environment friendly use period (EFUP)	EFUP-E
	No hazardous substances above the limits

EU REACH SVHC

REACH candidate substance (CAS No.)	No substance above 0.1 wt%
-------------------------------------	----------------------------

EF3.1 Climate Change

CO2e kg	0.049 kg CO2e
---------	---------------

Phoenix Contact 2026 © - all rights reserved
<https://www.phoenixcontact.com>

Phoenix Contact USA
586 Fulling Mill Road
Middletown, PA 17057, United States
(+717) 944-1300
info@phoenixcon.com