

SACC-PO12MRX-8CT-CL SH - Data connector



1021784

<https://www.phoenixcontact.com/us/products/1021784>

Please be informed that the data shown in this PDF document is generated from our online catalog. Please find the complete data in the user documentation. Our general terms of use for downloads are valid.



Data connector, Ethernet CAT6_A (10 Gbps), PROFINET CAT6_A (10 Gbps), 8-position, shielded, Plug angled M12 Push-pull external locking, coding: X, Crimp connection, knurl material: PA 6.6, external cable diameter 6.5 mm ... 10 mm, without crimp contacts

Your advantages

- Plug and Produce: convenient and secure connection, thanks to the manufacturer-independent locking system
- Extremely compact, thanks to the small wiring space and high contact density
- Clear feedback: the connector springs back when not snapped into place correctly
- Safely shielded: reliable shield connection even under extreme mechanical strain
- Robust connection: suitable for railway applications with high shock and vibration loads

Commercial data

Item number	1021784
Packing unit	1 pc
Minimum order quantity	1 pc
Sales key	BF34
Product key	AF2CJJ
GTIN	4055626514635
Weight per piece (including packing)	52.3 g
Weight per piece (excluding packing)	47.6 g
Customs tariff number	85366990
Country of origin	DE

SACC-PO12MRX-8CT-CL SH - Data connector



1021784

<https://www.phoenixcontact.com/us/products/1021784>

Technical data

Mounting

Assembly note	Contacts can be clipped in place and unclipped without tools
	The pin assignment can be rotated in a 30° pitch to the cable outlet

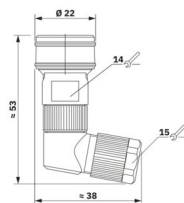
Product properties

Product type	Circular connector (cable-side)
Application	Data
Number of positions	8
No. of cable outlets	1
Shielded	yes
Coding	X
Cable outlet	angled

Insulation characteristics

Overvoltage category	II
Degree of pollution	3

Dimensions

Dimensional drawing	
Length	53 mm
Wrench size, union nut	15 mm
Wrench size, counter nut	14 mm

External dimensions

Outside diameter	6.5 mm ... 10 mm
------------------	------------------

Housing

Diameter housing	22 mm
------------------	-------

Material specifications

Flammability rating according to UL 94	V0
Seal material	NBR
Material of grip body	Zinc die-cast, nickel-plated
Contact carrier material	PA 6.6
Material for screw connection	PA 6.6
Standards/regulations	PA 6.6

SACC-PO12MRX-8CT-CL SH - Data connector



1021784

<https://www.phoenixcontact.com/us/products/1021784>

Connection data

Conductor connection

Connection method	Crimp connection
Connection cross section	0.14 mm ² ... 0.34 mm ² (flexible)
Connection cross section AWG	26 ... 22 (flexible)
Stripping length of the individual wire	4 mm +0,5 mm
Tightening torque	1.5 Nm (Screw plug insert with sleeve housing as far it will go)
	4 Nm (Pressure nut with coupling sleeve)

Electrical properties

Rated surge voltage	0.8 kV
Insulation resistance	≥ 100 Ω
Nominal voltage U _N	48 V AC
	60 V DC
Nominal current I _N	0.5 A
Transmission speed	10 Gbps

Mechanical properties

Mechanical data

Insertion/withdrawal cycles	≥ 100
-----------------------------	-------

Connector

Connection 1

Head design	Plug
Head cable outlet	angled
Head thread type	M12
Head locking type	Push-pull external locking
Coding	X

Cable/line

Signal type/category	Ethernet CAT6 _A (IEC 11801), 10 Gbps
	PROFINET CAT6 _A (IEC 11801), 10 Gbps
Stripping length of the individual wire	4 mm +0,5 mm

Environmental and real-life conditions

Ambient conditions

Degree of protection	IP65
	IP67
	IP68
	IP69K
Ambient temperature (operation) (male connector/female connector)	-40 °C ... 85 °C (Plug / socket)

SACC-PO12MRX-8CT-CL SH - Data connector



1021784

<https://www.phoenixcontact.com/us/products/1021784>

Standards and regulations

Testing

Standards/regulations	PA 6.6: Fire protection in rail vehicles - requirement sets R22, R23, R24, and R26 acc. to DIN EN 45545-2 (Risk level HL1 - HL3)
-----------------------	--

M12

Standard designation	M12 connector
Standards/specifications	IEC 61076-2-109
Note	according to
Standard designation	Shock, vibration
Standards/specifications	EN 50155:2001

SACC-PO12MRX-8CT-CL SH - Data connector

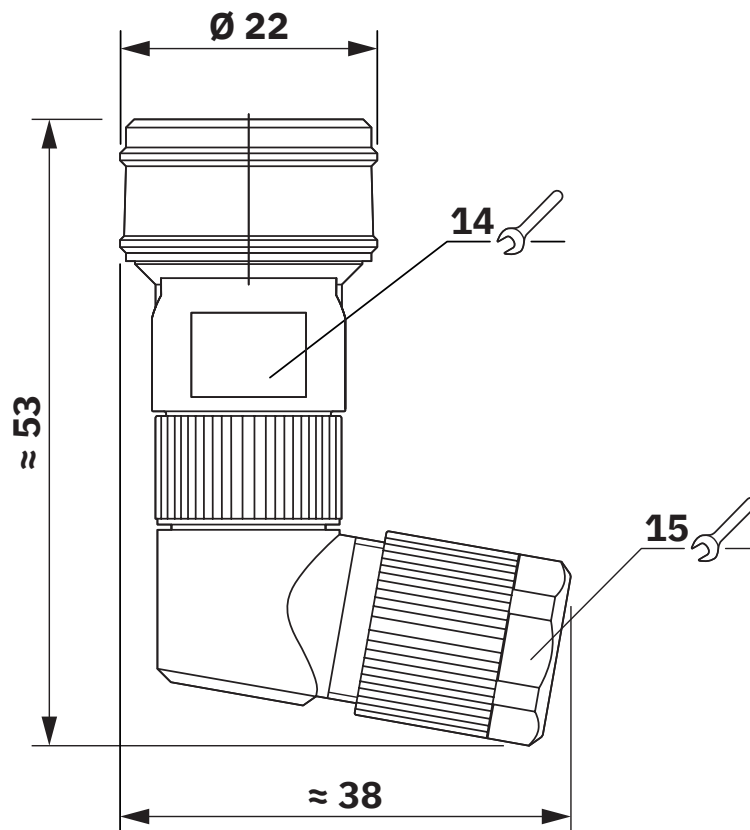
1021784

<https://www.phoenixcontact.com/us/products/1021784>



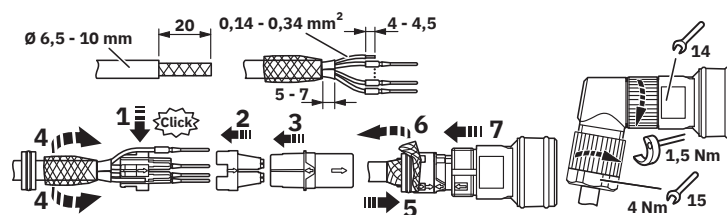
Drawings

Dimensional drawing



Dimensional drawing

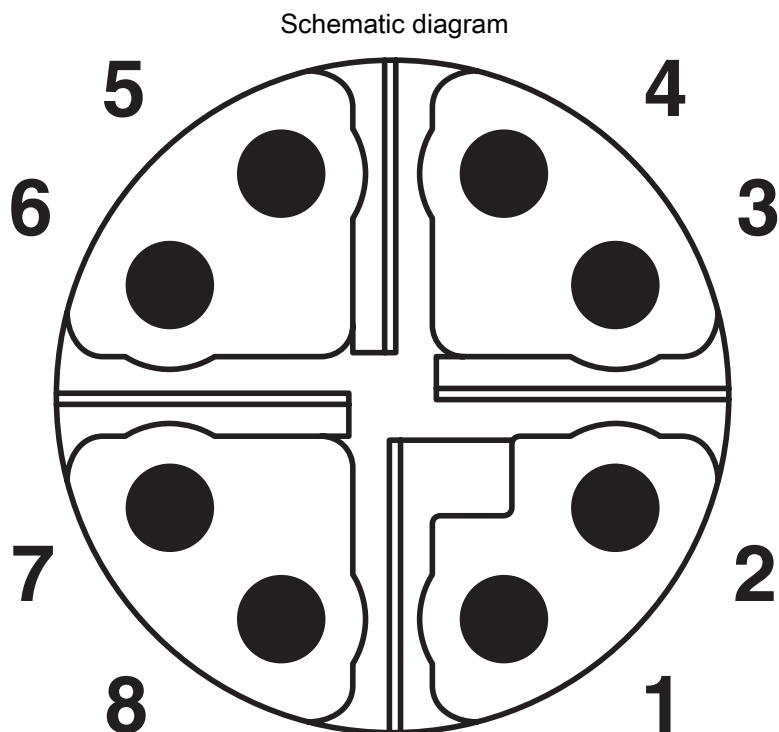
Functional drawing



Functional drawing

1021784

<https://www.phoenixcontact.com/us/products/1021784>



M12 PUSH-PULL male pin assignment, 8-pos., pin-side view

SACC-PO12MRX-8CT-CL SH - Data connector



1021784

<https://www.phoenixcontact.com/us/products/1021784>

Classifications

ECLASS

ECLASS-13.0	27440116
ECLASS-15.0	27440116

ETIM

ETIM 10.0	EC002635
-----------	----------

UNSPSC

UNSPSC 21.0	39121400
-------------	----------

SACC-PO12MRX-8CT-CL SH - Data connector



1021784

<https://www.phoenixcontact.com/us/products/1021784>

Environmental product compliance

EU RoHS

Fulfills EU RoHS substance requirements	Yes, No exemptions
---	--------------------

China RoHS

Environment friendly use period (EFUP)	EFUP-E
	No hazardous substances above the limits

EU REACH SVHC

REACH candidate substance (CAS No.)	No substance above 0.1 wt%
-------------------------------------	----------------------------

Phoenix Contact 2026 © - all rights reserved
<https://www.phoenixcontact.com>

Phoenix Contact USA
586 Fulling Mill Road
Middletown, PA 17057, United States
(+717) 944-1300
info@phoenixcon.com