

UCS 125-87-F-GD-RPI 7035 - Universal housings



1019724

<https://www.phoenixcontact.com/us/products/1019724>

Please be informed that the data shown in this PDF document is generated from our online catalog. Please find the complete data in the user documentation. Our general terms of use for downloads are valid.



Complete housing for printed-circuit boards. Includes housing half shells, side panels with openings for all relevant connections, adhesive pads for affixing the Raspberry Pi model B2 and B3 computers, screws for housing and PCB attachment; light gray housing with turquoise-blue corner inlays

Your advantages

- High degree of application flexibility, thanks to the modular housing design
- Flexible PCB attachment, adapts to virtually all form factors
- Practical customization options
- Reduced logistics outlay, thanks to components which are compatible with one another
- Delivery as a complete housing with ready-machined side panels

Commercial data

| | |
|--------------------------------------|---------------|
| Item number | 1019724 |
| Packing unit | 1 pc |
| Minimum order quantity | 1 pc |
| Sales key | AC03 |
| Product key | ACFCAA |
| GTIN | 4055626507538 |
| Weight per piece (including packing) | 312.8 g |
| Weight per piece (excluding packing) | 312.8 g |
| Customs tariff number | 84879090 |
| Country of origin | DE |

Technical data

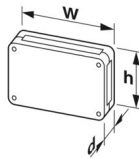
Notes

| | |
|---------------------|---|
| Assembly note | The housing can be opened a maximum of 10 times. |
| Note on application | Attach the adhesive pads: Make sure that the surface of the housing is clean, dry, and free of grease. Temperature range: +18°C ... +30°C / Closing pressure force: 60 N / Closing pressure time: 3 s |
| General | Please observe the application note in the download area. |

Product properties

| | |
|------------------------------|--------------------|
| Product type | Complete housing |
| Housing type | Field housing |
| Housing type | Universal housings |
| Housing series | UCS |
| Product family | UCS 125-87 |
| Number (Connection openings) | 6 |
| Ventilation openings present | no |

Dimensions

| | |
|---------------------|--|
| Dimensional drawing |  |
| Width | 125 mm |
| Height | 87 mm |
| Depth | 47 mm |
| Dimensions | 100 mm x 62 mm (Maximum circuit board dimensions) |

PCB design

| | |
|---------------|-----------------|
| PCB thickness | 0.8 mm ... 3 mm |
|---------------|-----------------|

Material specifications

| | |
|--|----------------------------|
| Color (Housing) | light gray (RAL 7035) |
| Color (Corner inlay) | turquoise green (RAL 5018) |
| Material Housing | PC |
| Material Corner inlay | PA |
| Flammability rating according to UL 94 | V0 |
| CTI according to IEC 60112 | 225 |
| Surface characteristics | untreated |

Environmental and real-life conditions

Power dissipation single housing for 20 °C

UCS 125-87-F-GD-RPI 7035 - Universal housings



1019724

<https://www.phoenixcontact.com/us/products/1019724>

| | |
|---------------------|----------|
| Ambient temperature | 20 °C |
| Reduction factor | 1 |
| Mounting position | vertical |
| Power dissipation | 9.7 W |

Power dissipation single housing for 30 °C

| | |
|---------------------|----------|
| Ambient temperature | 30 °C |
| Reduction factor | 0.85 |
| Mounting position | vertical |
| Power dissipation | 8.3 W |

Power dissipation single housing for 40 °C

| | |
|---------------------|----------|
| Ambient temperature | 40 °C |
| Reduction factor | 0.68 |
| Mounting position | vertical |
| Power dissipation | 6.5 W |

Power dissipation single housing for 50 °C

| | |
|---------------------|----------|
| Ambient temperature | 50 °C |
| Reduction factor | 0.55 |
| Mounting position | vertical |
| Power dissipation | 5.4 W |

Power dissipation single housing for 60 °C

| | |
|---------------------|----------|
| Ambient temperature | 60 °C |
| Reduction factor | 0.4 |
| Mounting position | vertical |
| Power dissipation | 3.9 W |

Vibration test

| | |
|------------------------|-----------------------------|
| Specification | IEC 60068-2-6:2007-12 |
| Frequency | 10 - 150 - 10 Hz |
| Sweep speed | 1 octave/min |
| Amplitude | 0.15 mm (10 Hz ... 58.1 Hz) |
| Acceleration | 2g (58.1 Hz ... 150 Hz) |
| Test duration per axis | 2.5 h |
| Test directions | X-, Y- and Z-axis |

Glow-wire test

| | |
|------------------|------------------------|
| Specification | IEC 60695-2-11:2014-02 |
| Temperature | 850 °C |
| Time of exposure | 30 s |

Thermal stability / ball thrust test

| | |
|---------------|------------------------|
| Specification | IEC 60695-10-2:2014-02 |
| Temperature | 125 °C |
| Test duration | 1 h |

UCS 125-87-F-GD-RPI 7035 - Universal housings



1019724

<https://www.phoenixcontact.com/us/products/1019724>

| | |
|-------|------|
| Force | 20 N |
|-------|------|

Mechanical strength / tumbling barrel

| | |
|----------------|------------------------|
| Specification | IEC 60068-2-31:2008-05 |
| Height of fall | 50 cm |
| Frequency | 50 |

Shocks

| | |
|--------------------------------|-----------------------------------|
| Specification | IEC 60068-2-27:2008-02 |
| Pulse shape | Half-sine |
| Acceleration | 15g |
| Shock duration | 11 ms |
| Number of shocks per direction | 3 |
| Test directions | X-, Y- and Z-axis (pos. and neg.) |

Test for substances that would hinder coating with paint or varnish

| | |
|---------------|----------------------|
| Specification | VW PV 3.10.7:2005-02 |
| Result | Test passed |

Degree of protection (IP code)

| | |
|---------------------------------------|---|
| Specification | IEC 60529:1989-11 + AMD 1:1999-11 + AMD 2:2013-08 |
| Result, degree of protection, IP code | IP20 |

Ambient conditions

| | |
|---|--|
| Max. IP code to attain | IP20 |
| Ambient temperature (operation) | -40 °C ... 105 °C (depending on power dissipation) |
| Ambient temperature (storage/transport) | -40 °C ... 55 °C |
| Ambient temperature (assembly) | -5 °C ... 100 °C |
| Relative humidity (storage/transport) | 80 % |

PCB data

| | |
|------------------------|---|
| Number of PCB holders | 1 |
| Type of PCB mount | Bolt mounting |
| Total PCB surface | 6000 mm ² |
| Thickness of the PCB | 0.8 mm ... 3 mm |
| Supported form factors | Raspberry Pi |
| Note on PCB holders | This product is prepared for a printed-circuit board. Additional printed-circuit boards can be mounted using adhesive pads (accessories). |

Mounting

| | |
|---------------------------|---|
| Mounting type | Screw mounting |
| Mounting position | any |
| Tightening torque / speed | Screw connection between housing halves: 1.2 - 1.4 Nm / 500 - 1000 rpm Mounting the PCB: 0.4 - 0.5 Nm / 500 - 1000 rpm |

Packaging specifications

UCS 125-87-F-GD-RPI 7035 - Universal housings

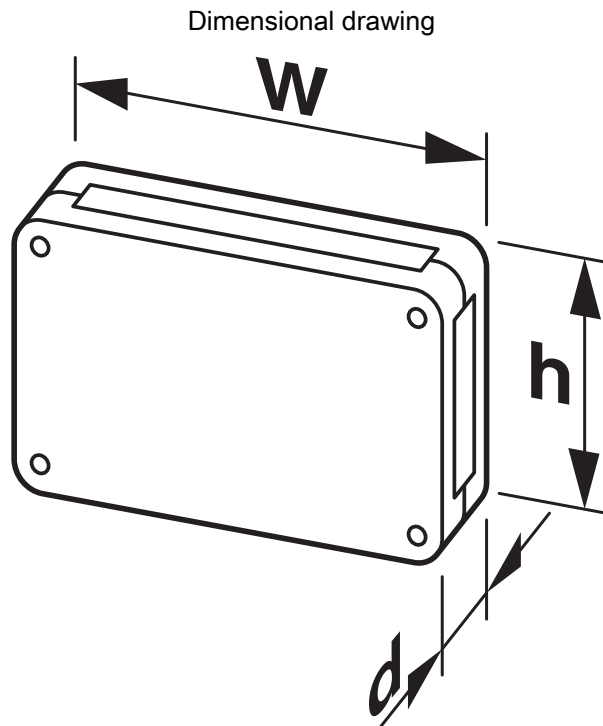


1019724

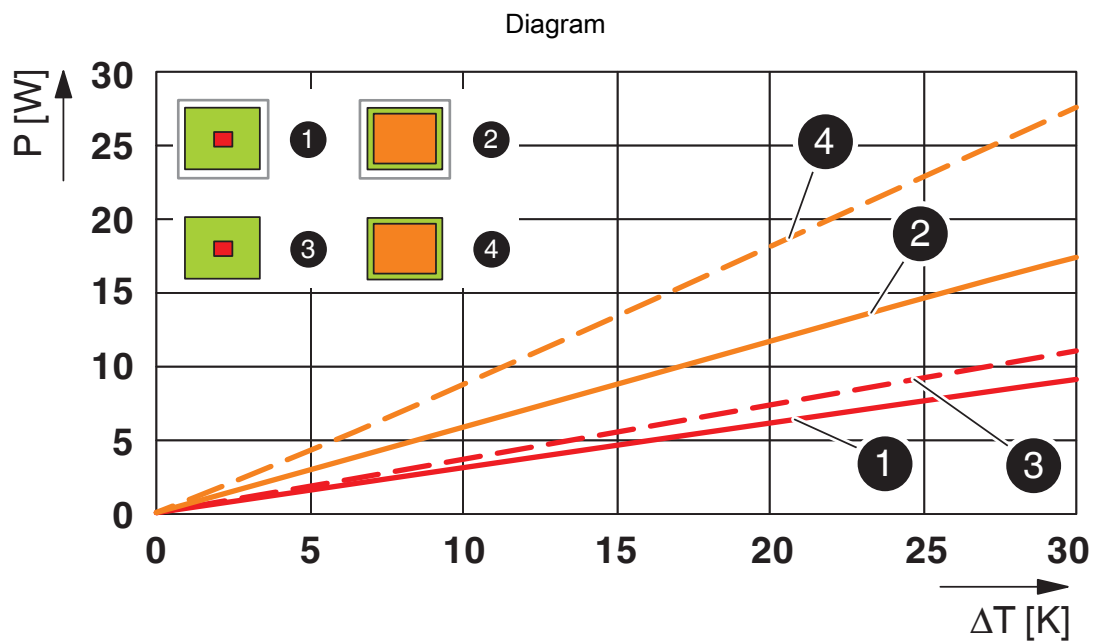
<https://www.phoenixcontact.com/us/products/1019724>

| Type of packaging | Box packaging |
|-------------------|---------------|
|-------------------|---------------|

Drawings



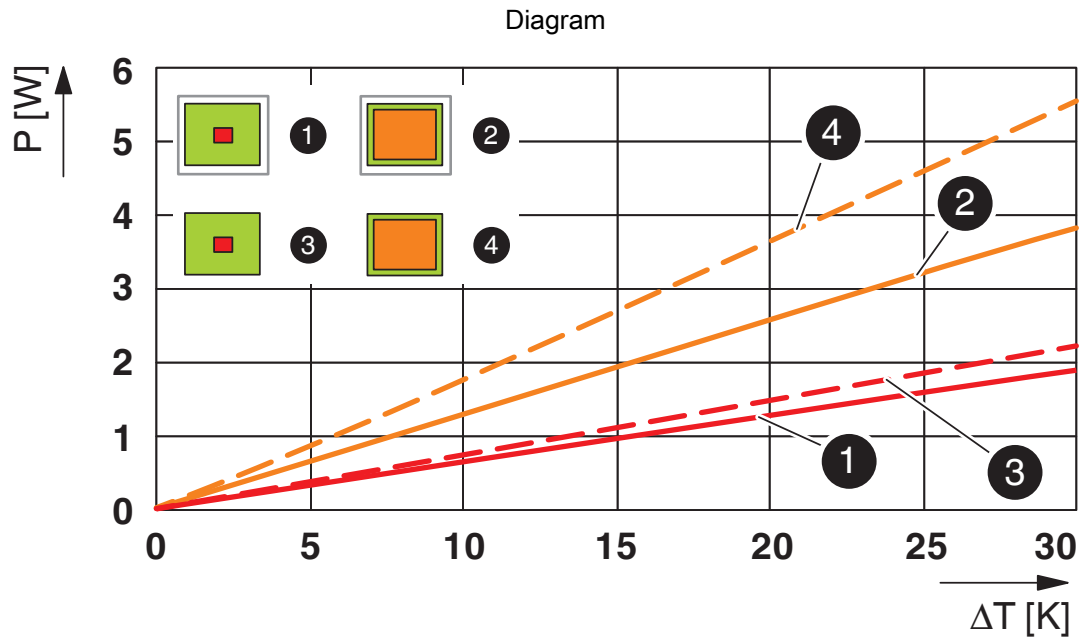
Schematic representation – for additional information, see product range drawing in the Download Center



Power dissipation diagram for 0 K ... 100 K

1019724

<https://www.phoenixcontact.com/us/products/1019724>



Power dissipation diagram for 0 K ... 30 K

UCS 125-87-F-GD-RPI 7035 - Universal housings



1019724

<https://www.phoenixcontact.com/us/products/1019724>

Approvals

To download certificates, visit the product detail page: <https://www.phoenixcontact.com/us/products/1019724>



UL Recognized

Approval ID: E240868

1019724

<https://www.phoenixcontact.com/us/products/1019724>

Classifications

ECLASS

| | |
|-------------|----------|
| ECLASS-13.0 | 27190104 |
| ECLASS-15.0 | 27190104 |

ETIM

| | |
|-----------|----------|
| ETIM 10.0 | EC001031 |
|-----------|----------|

UNSPSC

| | |
|-------------|----------|
| UNSPSC 21.0 | 31261500 |
|-------------|----------|

UCS 125-87-F-GD-RPI 7035 - Universal housings



1019724

<https://www.phoenixcontact.com/us/products/1019724>

Environmental product compliance

EU RoHS

| | |
|---|--------------------|
| Fulfills EU RoHS substance requirements | Yes, No exemptions |
|---|--------------------|

China RoHS

| | |
|--|--|
| Environment friendly use period (EFUP) | EFUP-E |
| | No hazardous substances above the limits |

EU REACH SVHC

| | |
|-------------------------------------|--|
| REACH candidate substance (CAS No.) | Perfluorobutane sulfonic acid (PFBS) and its salts(CAS: n/a) |
|-------------------------------------|--|

Phoenix Contact 2026 © - all rights reserved
<https://www.phoenixcontact.com>

Phoenix Contact USA
586 Fulling Mill Road
Middletown, PA 17057, United States
(+717) 944-1300
info@phoenixcon.com