

# FOC-FDX20-PP-STD6-MM - Distributor



1019681

<https://www.phoenixcontact.com/us/products/1019681>

Please be informed that the data shown in this PDF document is generated from our online catalog. Please find the complete data in the user documentation. Our general terms of use for downloads are valid.



Distributor, design: Rail-mountable module, degree of protection: IP20, material: Sheet steel, connection method: Cable gland M20, cable outlet: above and below, housing size: 1, color: traffic gray A RAL 7042

DIN rail distributor 6x ST/SC duplex

## Product description

FDX 20 series DIN rail distributor box without pigtailed, assembled with 6x ST/SC duplex coupling (hybrid), multimode made from metal. Splice holder for separately available shrink and crimp splicing protection, on a patented splice comb made from powder-coated sheet steel. Cable insertion possible via cable gland from above or below.

Housing, 2-part, prepared for DIN rail mounting through the rear-side adapter. The adapter can also be mounted on the side.

Scope of supply:

DIN rail housing with integrated splice comb (mounted), assembled with 6x ST/SC duplex coupling (hybrid), 1x splice holder, 1x cable gland (M20x1.5)

## Your advantages

- Intuitive front-panel operation and clear control cabinet layout thanks to uniform design
- Flexible DIN rail mounting possible in six positioning directions
- Suitable for industrial applications
- Reduced installation time with plug-and-play
- Pin assignment straight in line in a link
- Continuously reliable data connection, thanks to extensively tested components
- Snap-on mounting on standard DIN rails NS 35/7.5 or NS 35/15
- Transmission rate up to 1000 Mbps

## Commercial data

Item number	1019681
Packing unit	1 pc
Note	Made to order (non-returnable)
Sales key	AB15
Product key	ABNGAB
GTIN	4055626701165
Weight per piece (including packing)	801.9 g
Weight per piece (excluding packing)	772.5 g
Customs tariff number	85367000
Country of origin	DE

1019681

<https://www.phoenixcontact.com/us/products/1019681>

## Technical data

### Notes

Order information:	Wire pigtails must be ordered separately
--------------------	--

### Product properties

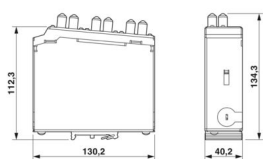
Product type	Network distributor box
Series	FDX 20 series
Type	Rail-mountable module
No. of cable outlets	2
Number of module slots	6
Number of slots	12
Type of the screw connection	M20 x 1.5
Protective cover	yes
Cable outlet	above and below

### Connection data

#### Connection technology

Connection method	Cable gland M20
-------------------	-----------------

### Dimensions

Dimensional drawing	
Width	40 mm
Height	130 mm
Depth	115 mm

#### Housing

Housing width	40 mm
---------------	-------

#### Mechanical characteristics

Ferrule diameter	2.50 mm
------------------	---------

### Material specifications

Color	traffic gray A RAL 7042
Flammability rating according to UL 94	V0
Ferrule material	Zirconia ceramics
Housing material	Sheet steel
Housing surface material	Powder-coated, gray

### Cable/line

1019681

<https://www.phoenixcontact.com/us/products/1019681>

Cable type	Fiberglass
External cable diameter	6 mm ... 12 mm
External cable diameter	6 mm ... 12 mm
Resistance to oil	no
Flame resistance	yes

## FO cable

Fiber	GOF
Fiber type	Multi-mode fiberglass
Transmission medium	FO

## Mechanical properties

### Mechanical data

Type of the screw connection	M20 x 1.5
Insertion/withdrawal cycles	≥ 500

## Environmental and real-life conditions

### Ambient conditions

Degree of protection	IP20 (according to IEC 60529) IP20
Ambient temperature (operation)	-40 °C ... 85 °C (Category OPhd+)
Ambient temperature (storage/transport)	-40 °C ... 85 °C
Ambient temperature (assembly)	0 °C ... 50 °C
Resistance to oil	no

## Standards and regulations

Flame resistance	yes
Resistance to oil	no

## Mounting

Mounting type	DIN rail: 35 mm
Assembly note	Option for flexible replugging of DIN rail adapter

# FOC-FDX20-PP-STD6-MM - Distributor

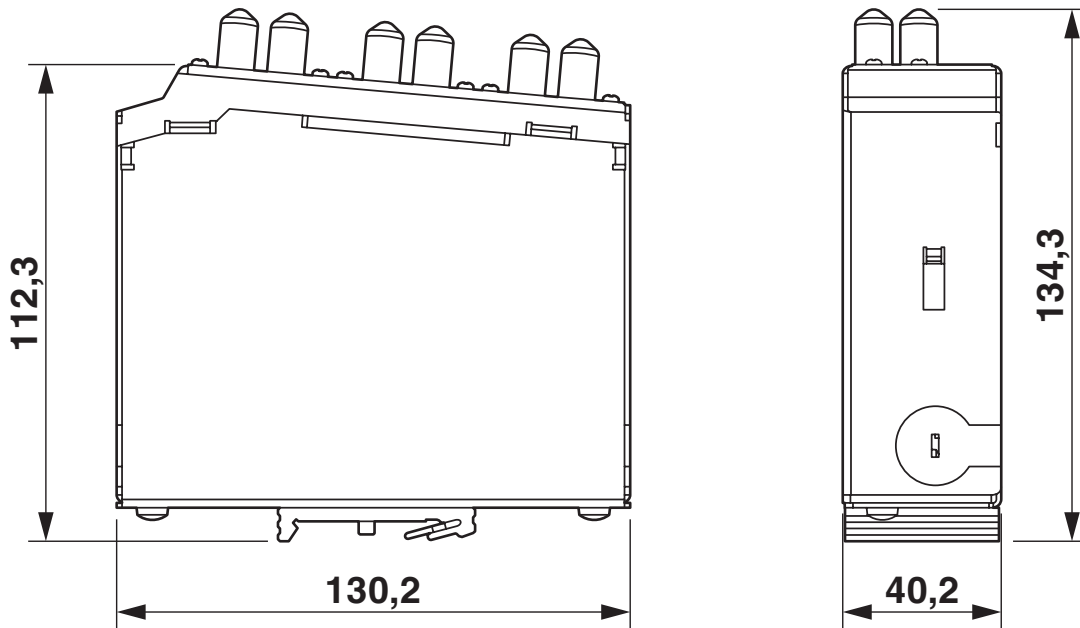


1019681

<https://www.phoenixcontact.com/us/products/1019681>

## Drawings

Dimensional drawing



DIN rail distributor 6x ST duplex

# FOC-FDX20-PP-STD6-MM - Distributor



1019681

<https://www.phoenixcontact.com/us/products/1019681>

## Classifications

### UNSPSC

UNSPSC 21.0	43223300
-------------	----------

1019681

<https://www.phoenixcontact.com/us/products/1019681>

## Environmental product compliance

### EU RoHS

Fulfills EU RoHS substance requirements	Yes, No exemptions
---	--------------------

### China RoHS

Environment friendly use period (EFUP)	EFUP-E
	No hazardous substances above the limits

### EU REACH SVHC

REACH candidate substance (CAS No.)	No substance above 0.1 wt%
-------------------------------------	----------------------------

Phoenix Contact 2026 © - all rights reserved  
<https://www.phoenixcontact.com>

Phoenix Contact USA  
586 Fulling Mill Road  
Middletown, PA 17057, United States  
(+717) 944-1300  
[info@phoenixcon.com](mailto:info@phoenixcon.com)