

CK1,6-BR-2,50BU OIC AG - Crimp contact



1004383

<https://www.phoenixcontact.com/us/products/1004383>

Please be informed that the data shown in this PDF document is generated from our online catalog. Please find the complete data in the user documentation. Our general terms of use for downloads are valid.



Crimp contact, Socket, rolled, contact diameter: 1.6 mm, connection cross section: 1.5 mm² ... 2.5 mm², AWG 16...14 , contact material: Cu alloy

Commercial data

Item number	1004383
Packing unit	5,000 pc
Minimum order quantity	5,000 pc
Sales key	BF65
Product key	AF7AIB
GTIN	4055626473406
Weight per piece (including packing)	0.65 g
Weight per piece (excluding packing)	58.4 g
Customs tariff number	85366990
Country of origin	TR

CK1,6-BR-2,50BU OIC AG - Crimp contact



1004383

<https://www.phoenixcontact.com/us/products/1004383>

Technical data

Product properties

Product type	Crimp contact
Contact material type	rolled

Connection data

Connection technology

Contact connection type	Socket
Connection method	Crimp connection

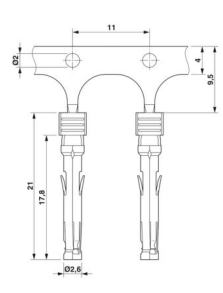
Conductor connection

Stripping length	4 mm
Connection cross section	1.5 mm ² ... 2.5 mm ²
Connection cross section AWG	16 ... 14

Material specifications

Material Contact	Cu alloy (nickel-plated)
Material Contact surface	Ag

Dimensions

Dimensional drawing	
Length [l]	21 mm
Diameter (Contact diameter)	1.6 mm

Mechanical properties

Mechanical data

Insertion/withdrawal cycles	≥ 50
-----------------------------	------

Environmental and real-life conditions

Ambient conditions

Ambient temperature (operation)	-40 °C ... 125 °C
---------------------------------	-------------------

CK1,6-BR-2,50BU OIC AG - Crimp contact

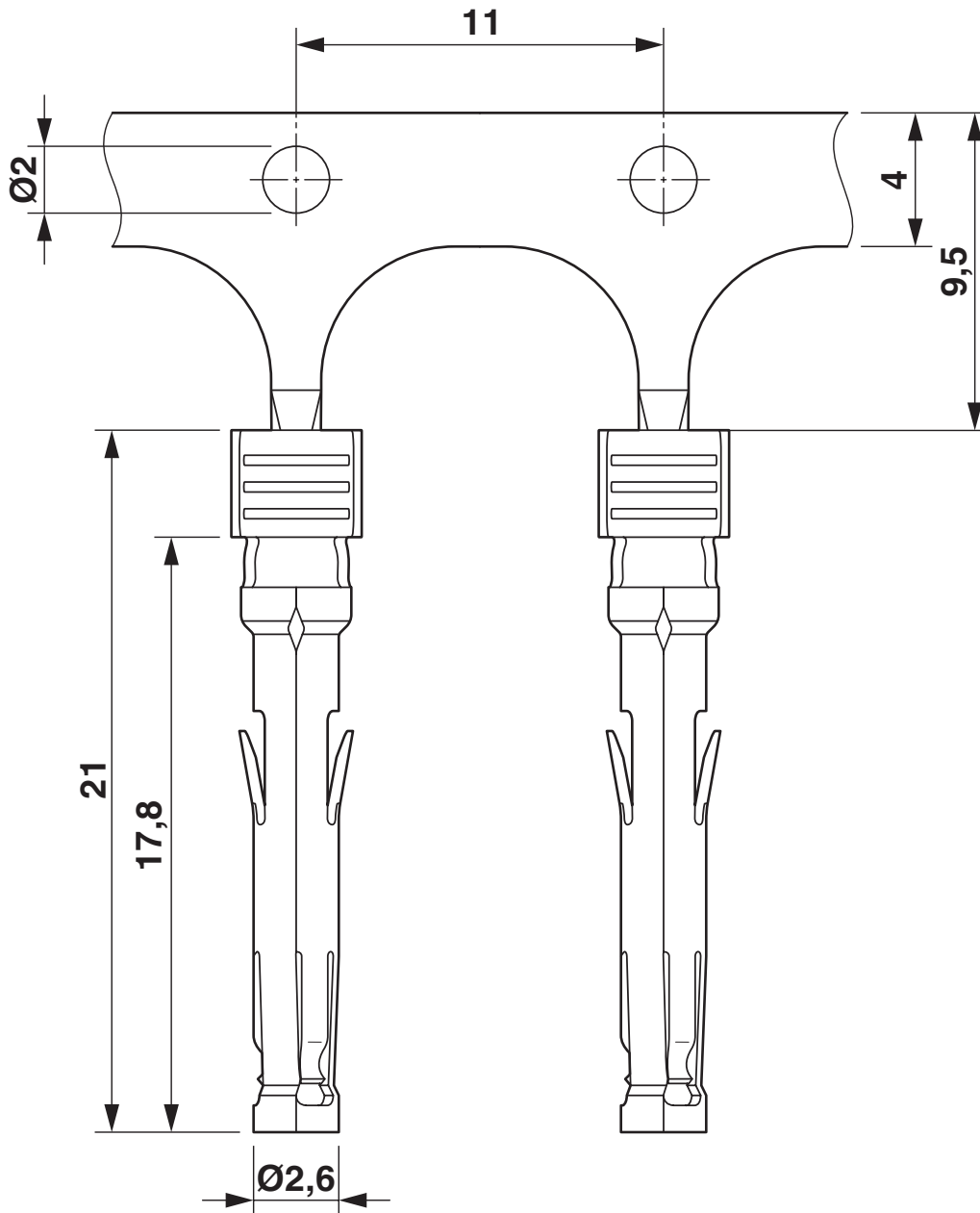


1004383

<https://www.phoenixcontact.com/us/products/1004383>

Drawings

Dimensional drawing



CK1,6-BR-2,50BU OIC AG - Crimp contact



1004383

<https://www.phoenixcontact.com/us/products/1004383>

Classifications

ECLASS

ECLASS-13.0	27440204
ECLASS-15.0	27440204

ETIM

ETIM 10.0	EC000796
-----------	----------

UNSPSC

UNSPSC 21.0	39121500
-------------	----------

CK1,6-BR-2,50BU OIC AG - Crimp contact



1004383

<https://www.phoenixcontact.com/us/products/1004383>

Environmental product compliance

EU RoHS

Fulfills EU RoHS substance requirements	Yes, No exemptions
---	--------------------

China RoHS

Environment friendly use period (EFUP)	EFUP-E
	No hazardous substances above the limits

EU REACH SVHC

REACH candidate substance (CAS No.)	No substance above 0.1 wt%
-------------------------------------	----------------------------

Phoenix Contact 2026 © - all rights reserved
<https://www.phoenixcontact.com>

Phoenix Contact USA
586 Fulling Mill Road
Middletown, PA 17057, United States
(+717) 944-1300
info@phoenixcon.com