

CK1,6-ER-1,00ST OIC AG - Crimp contact



1004360

<https://www.phoenixcontact.com/us/products/1004360>

Please be informed that the data shown in this PDF document is generated from our online catalog. Please find the complete data in the user documentation. Our general terms of use for downloads are valid.



Crimp contact, series: HC-M-12, Pin, rolled, contact diameter: 1.6 mm, connection cross section: 0.34 mm² ... 1 mm², AWG 22...17, contact material: Cu alloy

Commercial data

Item number	1004360
Packing unit	100 pc
Minimum order quantity	100 pc
Sales key	BF65
Product key	AF7AIB
GTIN	4055626472539
Weight per piece (including packing)	0.353 g
Weight per piece (excluding packing)	0.35 g
Customs tariff number	85366990
Country of origin	TR

CK1,6-ER-1,00ST OIC AG - Crimp contact



1004360

<https://www.phoenixcontact.com/us/products/1004360>

Technical data

Product properties

Product type	Crimp contact
Series	HC-M-12
	HC-M-EMV
	HC-D
	HC-DD
	VC-D
	HC-M-03/04
	HC-M-17
	HC-K
	HC-Q
	HC-COM
	HC-M-42
	HC-M-08-MBIT
Contact material type	rolled

Connection data

Connection technology

Contact connection type	Pin
Connection method	Crimp connection

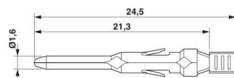
Conductor connection

Stripping length	4 mm
Connection cross section	0.34 mm ² ... 1 mm ²
Connection cross section AWG	22 ... 17

Material specifications

Material Contact	Cu alloy (nickel-plated)
Material Contact surface	Ag

Dimensions

Dimensional drawing	
Width [w]	3.3 mm
Length [l]	24.5 mm
Diameter (Contact diameter)	1.6 mm

Mechanical properties

Mechanical data

CK1,6-ER-1,00ST OIC AG - Crimp contact



1004360

<https://www.phoenixcontact.com/us/products/1004360>

Insertion/withdrawal cycles	≥ 500
-----------------------------	-------

Environmental and real-life conditions

Ambient conditions

Ambient temperature (operation)	-40 °C ... 125 °C
---------------------------------	-------------------

CK1,6-ER-1,00ST OIC AG - Crimp contact

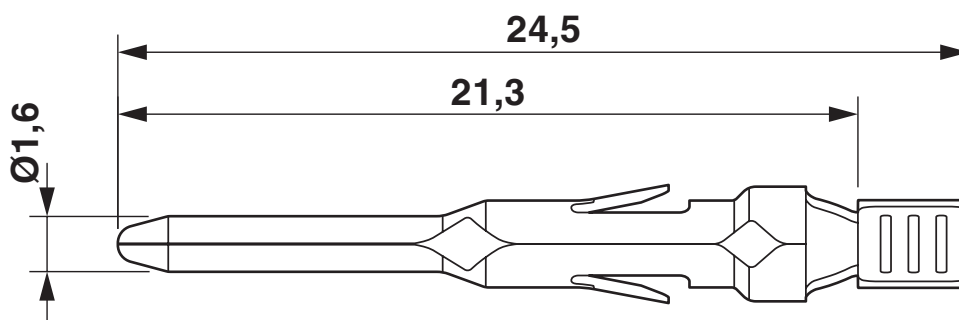


1004360

<https://www.phoenixcontact.com/us/products/1004360>

Drawings

Dimensional drawing



CK1,6-ER-1,00ST OIC AG - Crimp contact



1004360

<https://www.phoenixcontact.com/us/products/1004360>

Classifications

ECLASS

ECLASS-13.0	27440204
ECLASS-15.0	27440204

ETIM

ETIM 10.0	EC000796
-----------	----------

UNSPSC

UNSPSC 21.0	39121500
-------------	----------

CK1,6-ER-1,00ST OIC AG - Crimp contact



1004360

<https://www.phoenixcontact.com/us/products/1004360>

Environmental product compliance

EU RoHS

Fulfills EU RoHS substance requirements	Yes, No exemptions
---	--------------------

China RoHS

Environment friendly use period (EFUP)	EFUP-E
	No hazardous substances above the limits

EU REACH SVHC

REACH candidate substance (CAS No.)	No substance above 0.1 wt%
-------------------------------------	----------------------------

EF3.1 Climate Change

CO2e kg	0.013 kg CO2e
---------	---------------

Phoenix Contact 2026 © - all rights reserved
<https://www.phoenixcontact.com>

Phoenix Contact USA
586 Fulling Mill Road
Middletown, PA 17057, United States
(+717) 944-1300
info@phoenixcon.com