

V-RC/TGUM 13/KVD 13/LBL 16+3 - Cable connector



1000042

<https://www.phoenixcontact.com/us/products/1000042>

Please be informed that the data shown in this PDF document is generated from our online catalog. Please find the complete data in the user documentation. Our general terms of use for downloads are valid.



Cable connector, number of positions: 19, status display: no; master cable connection: M23 screw locking, shielding: no. This product is in the process of being discontinued. This product must no longer be considered for new projects. Please contact your sales representative for alternatives.

Commercial data

Item number	1000042
Packing unit	1 pc
Minimum order quantity	1 pc
Sales key	AB31
Product key	ABRAFA
GTIN	4017918399849
Weight per piece (including packing)	100 g
Weight per piece (excluding packing)	95.757 g
Customs tariff number	85366990
Country of origin	DE

V-RC/TGUM 13/KVD 13/LBL 16+3 - Cable connector



1000042

<https://www.phoenixcontact.com/us/products/1000042>

Technical data

Notes

Notes on operation	The connector is designed for use on sensor/actuator boxes with an M23 plug-in connection.
--------------------	--

Product properties

Product type	Circular connector (cable-side)
Number of positions	19

Dimensions

Dimensional drawing	
Width	26 mm
Height	26 mm
Length	69 mm

Material specifications

Material Housing	GD-Zn
Flammability rating according to UL 94	V0

Connection data

Connection assignment

Slot/position = Wire color or connection	1 / 4 (A) = 15 = WH
	1 / 2 (B) = 7 = GYPK
	2 / 4 (A) = 5 = GN
	2 / 2 (B) = 4 = RDBU
	3 / 4 (A) = 16 = YE
	3 / 2 (B) = 8 = WHGN
	4 / 4 (A) = 3 = GY
	4 / 2 (B) = 14 = BNGN
	5 / 4 (A) = 17 = PK
	5 / 2 (B) = 9 = WHYE
	6 / 4 (A) = 2 = RD
	6 / 2 (B) = 13 = YEBN
	7 / 4 (A) = 11 = BK
	7 / 2 (B) = 10 = WHGY
	8 / 4 (A) = 1 = VT
	8 / 2 (B) = 18 = GYBN
1-8 / 1 (+ 120 V) = 19 = BN	
1-8 / 3 (0 V) = 6 = BU	

V-RC/TGUM 13/KVD 13/LBL 16+3 - Cable connector



1000042

<https://www.phoenixcontact.com/us/products/1000042>

	1-8 / 5 (PE) = 12 = GNYE
--	--------------------------

Electrical properties

Nominal voltage U_N	150 V
Rated current, total	10 A (with 1 mm ² conductor cross-section)

Connector

Connection 2

Head design	Socket
Head cable outlet	straight
Head thread type	M23

Insulating body

Coding	N
Material (Insulating body)	PA 6.6
Material (Contact)	CuZn
Material (Contact surface)	Ni/Au
Insertion/withdrawal cycles	100
Connection method	Solder cup
Contact switching type	Socket
Application	Signal
Number of positions	19
Direction of rotation	Standard
Connection profile	16+3
Number (Contact group 1)	3
Contact diameter (Contact group 1)	1.5 mm
Litz wires Min. cross section (Contact group 1)	0.08 mm ²
Litz wires Max. cross section (Contact group 1)	1 mm ²
Rated current Contact (Contact group 1)	10 A (for max. connection cross section)
Rated voltage Contact (Contact group 1)	48 V AC 74 V DC
Rated surge voltage	1.5 kV
Overvoltage category	III
Degree of pollution	3
Number (Contact group 2)	16
Contact diameter (Contact group 2)	1 mm
Litz wires Max. cross section (Contact group 2)	1 mm ²
Rated current Contact (Contact group 2)	8 A
Number (Contact group 3)	1
Contact diameter (Contact group 3)	1.5 mm
Rated current Contact (Contact group 3)	8 A

Cable/line

External cable diameter	10 mm ... 14 mm
-------------------------	-----------------

V-RC/TGUM 13/KVD 13/LBL 16+3 - Cable connector



1000042

<https://www.phoenixcontact.com/us/products/1000042>

Connection method	M23 screw locking
-------------------	-------------------

Environmental and real-life conditions

Ambient conditions

Degree of protection	IP65
	IP67
Ambient temperature (operation)	-20 °C ... 80 °C

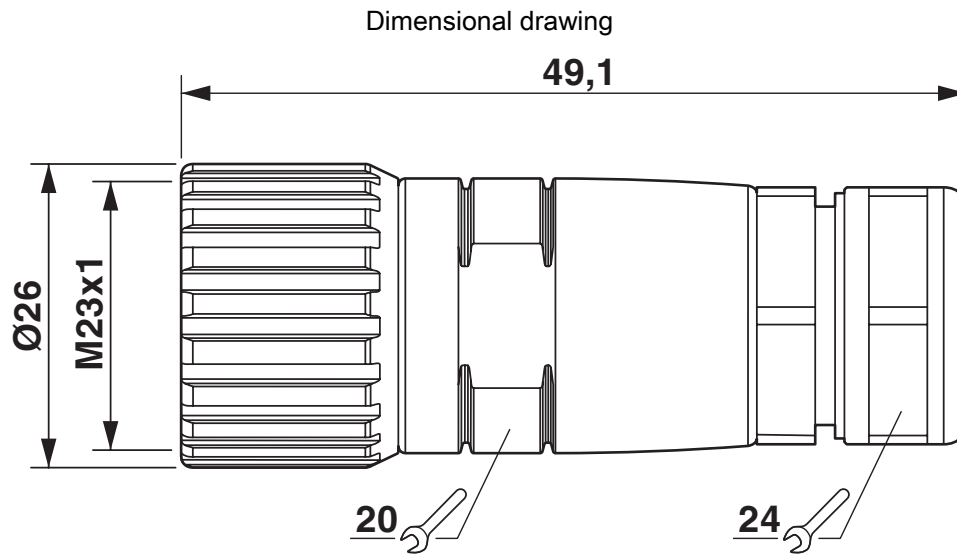
V-RC/TGUM 13/KVD 13/LBL 16+3 - Cable connector



1000042

<https://www.phoenixcontact.com/us/products/1000042>

Drawings



Dimensional drawing

1000042

<https://www.phoenixcontact.com/us/products/1000042>

Schematic diagram



Connector pin assignment

1000042

<https://www.phoenixcontact.com/us/products/1000042>

Schematic diagram



Dimensional drawing

1000042

<https://www.phoenixcontact.com/us/products/1000042>

Classifications

ECLASS

ECLASS-13.0	27440116
ECLASS-15.0	27440116

ETIM

ETIM 10.0	EC002635
-----------	----------

UNSPSC

UNSPSC 21.0	39121400
-------------	----------

1000042

<https://www.phoenixcontact.com/us/products/1000042>

Environmental product compliance

EU RoHS

Fulfills EU RoHS substance requirements	Yes
Exemption	6(c)

China RoHS

Environment friendly use period (EFUP)	EFUP-50
	An article-related China RoHS declaration table can be found in the download area for the respective article under "Manufacturer declaration". For all articles with EFUP-E, no China RoHS declaration table issued and required.

EU REACH SVHC

REACH candidate substance (CAS No.)	Lead(CAS: 7439-92-1)
SCIP	c2e6bbde-4537-411b-b72a-4d4efe387a2b

Phoenix Contact 2026 © - all rights reserved

<https://www.phoenixcontact.com>

Phoenix Contact USA
 586 Fulling Mill Road
 Middletown, PA 17057, United States
 (+717) 944-1300
info@phoenixcon.com