

VDFK 4/K (VE500) - Panel feed-through terminal block



0711179

<https://www.phoenixcontact.com/us/products/0711179>

Please be informed that the data shown in this PDF document is generated from our online catalog. Please find the complete data in the user documentation. Our general terms of use for downloads are valid.



The figure shows a 6-position version

Panel feed-through terminal block, connection method: Screw connection with tension sleeve, Solder connection, number of positions: 1, load current: 32 A, cross section: 0.2 mm² - 6 mm², connection direction of the conductor to plug-in direction: 0 °, width: 10 mm, color: gray

Your advantages

- Well-known connection principle allows worldwide use
- Low temperature rise, thanks to maximum contact force

Commercial data

| | |
|--------------------------------------|---------------|
| Item number | 0711179 |
| Packing unit | 500 pc |
| Minimum order quantity | 500 pc |
| Sales key | AA28 |
| Product key | AA1ACB |
| GTIN | 4017918254193 |
| Weight per piece (including packing) | 3.98 g |
| Weight per piece (excluding packing) | 3.779 g |
| Customs tariff number | 85369010 |
| Country of origin | PL |

VDFK 4/K (VE500) - Panel feed-through terminal block



0711179

<https://www.phoenixcontact.com/us/products/0711179>

Technical data

Product properties

| | |
|-----------------------|-----------------------------------|
| Product type | Panel feed-through terminal block |
| Product family | VDFK 4 |
| Number of positions | 1 |
| Pitch | 10 mm |
| Number of connections | 2 |
| Number of potentials | 1 |

Electrical properties

Properties

| | |
|-----------------------------|-------|
| Nominal current I_N | 32 A |
| Nominal voltage U_N | 500 V |
| Rated voltage (III/3) | 500 V |
| Rated surge voltage (III/3) | 6 kV |

Connection data

Connection technology

| | |
|-----------------------|-------------------|
| Connector system | VDFK 4 |
| Nominal cross section | 4 mm ² |

Conductor connection exterior

| | |
|---|--|
| Connection method | Screw connection with tension sleeve |
| Connection direction of the conductor to plug-in direction | 0 ° |
| Conductor cross-section rigid | 0.2 mm ² ... 6 mm ² |
| Conductor cross-section flexible | 0.2 mm ² ... 4 mm ² |
| Conductor cross-section, flexible, with ferrule, without plastic sleeve | 0.25 mm ² ... 4 mm ² |
| Conductor cross-section, flexible, with ferrule, with plastic sleeve | 0.25 mm ² ... 4 mm ² |
| 2 conductors with same cross section, rigid | 0.2 mm ² ... 1.5 mm ² |
| 2 conductors with same cross section, flexible | 0.2 mm ² ... 1.5 mm ² |
| 2 conductors with same cross section, flexible, with ferrule without plastic sleeve | 0.25 mm ² ... 1.5 mm ² |
| 2 conductors with the same cross section, flexible, with TWIN ferrule with plastic sleeve | 0.5 mm ² ... 2.5 mm ² |
| Internal cylindrical gage | A4 |
| Stripping length | 8 mm |
| Tightening torque | 0.6 Nm ... 0.8 Nm |

Conductor connection interior

| | |
|--|-------------------|
| Connection method | Solder connection |
| Connection direction of the conductor to plug-in direction | 0 ° |

VDFK 4/K (VE500) - Panel feed-through terminal block



0711179

<https://www.phoenixcontact.com/us/products/0711179>

Mounting

| | |
|-----------------|-------------|
| Panel thickness | 1 mm...4 mm |
|-----------------|-------------|

Material specifications

Material data - contact

| | |
|-------------------------|--|
| Note | WEEE/RoHS-compliant, free of whiskers according to IEC 60068-2-82/JEDEC JESD 201 |
| Contact material | Cu alloy |
| Surface characteristics | tin-plated |

Material data - housing

| | |
|---|-------------|
| Color (Housing) | gray (7042) |
| Insulating material | PA |
| Insulating material group | I |
| CTI according to IEC 60112 | 600 |
| Flammability rating according to UL 94 | V0 |
| Glow wire flammability index GWFI according to EN 60695-2-12 | 850 |
| Glow wire ignition temperature GWIT according to EN 60695-2-13 | 775 |
| Temperature for the ball pressure test according to EN 60695-10-2 | 125 °C |

Notes

Safety note

| | |
|-------------|--|
| Safety note | <ul style="list-style-type: none">• WARNING: Only electrically qualified personnel may install and operate the product. They must observe the following safety notes. The qualified personnel must be familiar with the basics of electrical engineering. They must be able to recognize and prevent danger. The relevant symbol on the packaging indicates that only personnel familiar with electrical engineering are allowed to install and operate the product.• The installation notes/Design In documents online on the download page at phoenixcontact.com/products must be observed for this product.• The cable entry funnel is not safe to touch. Never connect or disconnect the terminal when it is energized. Take appropriate steps to ensure touch protection.• To maintain the nominal voltage, cast the terminals on the inside.• There is no electrical contact to the housing. Make sure that protective grounding is provided for green/yellow color variants and articles marked with PE. |
|-------------|--|

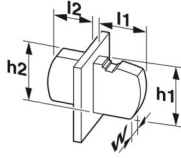
Dimensions

VDFK 4/K (VE500) - Panel feed-through terminal block



0711179

<https://www.phoenixcontact.com/us/products/0711179>

| | |
|---------------------|--|
| Dimensional drawing |  |
| Pitch | 10 mm |
| Width [w] | 10 mm |
| Height [h] | 20.5 mm |
| Length [l] | 25.5 mm |

External dimensions

| | |
|-------------|---------|
| Height [h1] | 20.5 mm |
| Length [l1] | 10.9 mm |

Internal dimensions

| | |
|-------------|---------|
| Height [h2] | 9.8 mm |
| Length [l2] | 13.6 mm |

Mechanical tests

Test for conductor damage and slackening

| | |
|---------------|-----------------------|
| Specification | IEC 60947-7-1:2009-04 |
| Result | Test passed |

Pull-out test

| | |
|---|---|
| Specification | IEC 60947-7-1:2009-04 |
| Conductor cross-section/conductor type/tractive force setpoint/actual value | 0.2 mm ² / solid / > 10 N |
| | 0.2 mm ² / flexible / > 10 N |
| | 6 mm ² / solid / > 80 N |
| | 4 mm ² / flexible / > 60 N |

Electrical tests

Temperature-rise test

| | |
|-----------------------------------|--------------------------------|
| Specification | IEC 60947-7-1:2009-04 |
| Requirement temperature-rise test | Increase in temperature ≤ 45 K |

Short-time withstand current

| | |
|---------------|-----------------------|
| Specification | IEC 60947-7-1:2009-04 |
|---------------|-----------------------|

Air clearances and creepage distances | 1. Insulation coordination

| | |
|--|-----------------------|
| Application | Internal part molded |
| Specification | IEC 60947-7-1:2009-04 |
| Insulating material group | I |
| Comparative tracking index (IEC 60112) | CTI 600 |
| Rated insulation voltage (III/3) | 500 V |
| Rated surge voltage (III/3) | 6 kV |

VDFK 4/K (VE500) - Panel feed-through terminal block



0711179

<https://www.phoenixcontact.com/us/products/0711179>

| | |
|--|--------|
| minimum clearance value - non-homogenous field (III/3) | 5.5 mm |
| minimum creepage distance (III/3) | 6.3 mm |

Environmental and real-life conditions

Vibration test

| | |
|------------------------|-----------------------------|
| Specification | IEC 60068-2-6:2007-12 |
| Frequency | 10 - 150 - 10 Hz |
| Sweep speed | 1 octave/min |
| Amplitude | 0.35 mm (10 Hz ... 60.1 Hz) |
| Acceleration | 5g (60.1 Hz ... 150 Hz) |
| Test duration per axis | 2.5 h |
| Test directions | X-, Y- and Z-axis |

Glow-wire test

| | |
|------------------|------------------------|
| Specification | IEC 60695-2-11:2014-02 |
| Temperature | 960 °C |
| Time of exposure | 30 s |

Ambient conditions

| | |
|---|---|
| Ambient temperature (storage/transport) | -40 °C ... 70 °C |
| Relative humidity (storage/transport) | 30 % ... 70 % |
| Ambient temperature (assembly) | -5 °C ... 100 °C |
| Ambient temperature (operation) | -40 °C ... 105 °C (Depending on the current carrying capacity/derating curve) |

Ambient conditions

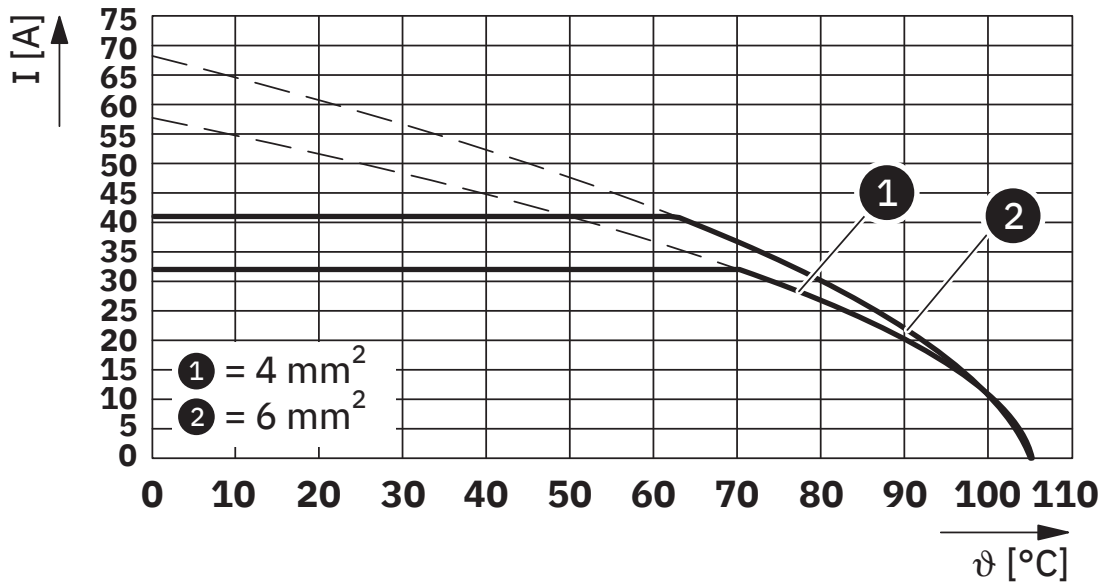
| | |
|---|---|
| Ambient temperature (operation) | -40 °C ... 105 °C (Depending on the current carrying capacity/derating curve) |
| Ambient temperature (storage/transport) | -40 °C ... 70 °C |
| Relative humidity (storage/transport) | 30 % ... 70 % |
| Ambient temperature (assembly) | -5 °C ... 100 °C |

Packaging specifications

| | |
|-------------------|---------------------|
| Type of packaging | packed in cardboard |
|-------------------|---------------------|

Drawings

Diagram



Type: VDFK 4

VDFK 4/K (VE500) - Panel feed-through terminal block





0711179

<https://www.phoenixcontact.com/us/products/0711179>


Approvals


To download certificates, visit the product detail page: <https://www.phoenixcontact.com/us/products/0711179>

|  CSA Approval ID: 13631 | | | | |
|--|-----------------------|-----------------------|-------------------|----------------------|
| | Nominal voltage U_N | Nominal current I_N | Cross section AWG | Cross section mm^2 |
| B | 300 V | 30 A | 28 - 10 | - |
| C | 150 V | 30 A | 28 - 10 | - |
| D | 300 V | 10 A | 28 - 10 | - |

|  cULus Recognized Approval ID: E60425-19770427 | | | | |
|---|-----------------------|-----------------------|-------------------|----------------------|
| | Nominal voltage U_N | Nominal current I_N | Cross section AWG | Cross section mm^2 |
| B | 300 V | 30 A | 30 - 10 | - |
| C | 150 V | 30 A | 30 - 10 | - |
| D | 300 V | 10 A | 30 - 10 | - |

|  CCC Approval ID: 2020322313003276 | | | | |
|---|--|--|--|--|
|---|--|--|--|--|

|  ATEX Approval ID: ExTR17.0071 | | | | |
|---|-----------------------|-----------------------|-------------------|----------------------|
| | Nominal voltage U_N | Nominal current I_N | Cross section AWG | Cross section mm^2 |
| keine | 275 V | 32 A | - | 0.2 - 4 |

|  IECEx Approval ID: IECExDEK17.0.60U | | | | |
|---|-----------------------|-----------------------|-------------------|----------------------|
| | Nominal voltage U_N | Nominal current I_N | Cross section AWG | Cross section mm^2 |
| keine | 275 V | 32 A | - | 0.2 - 4 |

VDFK 4/K (VE500) - Panel feed-through terminal block



0711179

<https://www.phoenixcontact.com/us/products/0711179>

Classifications

ECLASS

| | |
|-------------|----------|
| ECLASS-13.0 | 27141134 |
| ECLASS-15.0 | 27141134 |

ETIM

| | |
|-----------|----------|
| ETIM 10.0 | EC001283 |
|-----------|----------|

UNSPSC

| | |
|-------------|----------|
| UNSPSC 21.0 | 39121410 |
|-------------|----------|

VDFK 4/K (VE500) - Panel feed-through terminal block



0711179

<https://www.phoenixcontact.com/us/products/0711179>

Environmental product compliance

EU RoHS

| | |
|---|--------------------|
| Fulfills EU RoHS substance requirements | Yes, No exemptions |
|---|--------------------|

China RoHS

| | |
|--|--|
| Environment friendly use period (EFUP) | EFUP-E |
| | No hazardous substances above the limits |

EU REACH SVHC

| | |
|-------------------------------------|----------------------------|
| REACH candidate substance (CAS No.) | No substance above 0.1 wt% |
|-------------------------------------|----------------------------|

EF3.1 Climate Change

| | |
|---------|---------------|
| CO2e kg | 0.013 kg CO2e |
|---------|---------------|

Phoenix Contact 2026 © - all rights reserved
<https://www.phoenixcontact.com>

Phoenix Contact USA
586 Fulling Mill Road
Middletown, PA 17057, United States
(+717) 944-1300
info@phoenixcon.com