

PLD T/1AC/AS/2CON

LED light, 230 V AC, IP67 protection, 5000 K color temperature, wide distribution optic



Data sheet
107015_en_03

© PHOENIX CONTACT 2018-01-09

1 Description

This LED light is specifically designed for lighting the interior of towers or shafts.

The light is designed for continuous operation for work spaces or conductors.

Features

- Supply voltage: 230 V AC (supply voltage range: 110 V AC ... 250 V AC)
- Color temperature 5000 K
- Wide distribution optic
- IP67 degree of protection
- Suitable for series connection of several lights



Make sure you always use the latest documentation.
It can be downloaded from the product at phoenixcontact.net/products.

2	Table of contents	
1	Description	1
2	Table of contents	2
3	Ordering data	3
4	Technical data	3
5	Illuminance distribution	5
6	Safety notes.....	5
7	Dimensions and drill hole spacing (in mm)	6
8	Mount light.....	6
9	Pin assignment	6
10	Internal circuit diagram	6

3 Ordering data

Description	Type	Order No.	Pcs./Pkt.
LED light, degree of protection IP67, color temperature 5000 K, length 362 mm, QUICKON connection, Wide distribution optic, Suitable for series connection of several lights	PLD T/1AC/AS/2CON	2402992	1
Accessories	Type	Order No.	Pcs./Pkt.
Holder for PLD T LED light. Set consists of 2 holders	PLD T/1AC/MNT	2402993	1

4 Technical data

Dimensions (nominal sizes in mm)	
Length	362 mm
Width	91.7 mm
Height	76.2 mm
Note on dimensions	Specifications with connectors
General data	
Weight	802 g
Color	gray/white
Ambient temperature (operation)	-40 °C ... 70 °C
Ambient temperature (storage/transport)	-40 °C ... 85 °C
Permissible humidity (operation)	95 %
Permissible humidity (storage/transport)	95 % (non-condensing)
Air pressure (operation)	70 kPa ... 106 kPa (up to 3000 m above mean sea level)
Air pressure (storage/transport)	70 kPa ... 106 kPa (up to 3000 m above mean sea level)
Overvoltage category	III
Degree of protection	IP67
Protection class	II
Mounting position	any
Mounting type	Screw mounting (Mounting with mounting holders or mounting brackets, please observe the notes in the package slip.)
Material	Plastic
Special properties	
Wide distribution optic (with mounting accessories)	
Suitable for series connection of several lights	
Connection data	
Designation	Supply
Connection method	QUICKON fast connection

Power supply for module electronics

Connection technology	QUICKON connection
Connection method	QUICKON fast connection
Number of positions	5
Supply voltage range	100 V AC ... 250 V AC (50/60 Hz)
Current consumption	typ. 42 mA (for 230 V AC)
Power consumption	approx. 10 W (for 230 V AC)

Light properties

Source of light type	LED
Number of LEDs	24
Service life, lighting appliance	50,000 h (L70)
Light color	Neutral white
Color temperature	5000 K
Color rendering index	70
Luminous flux	1100 lm (Gross)

Mechanical tests

Vibration resistance in acc. with EN 60068-2-6/ IEC 60068-2-6	4g
Shock in acc. with EN 60068-2-27/IEC 60068-2-27	50g

Conformance with EMC Directive 2014/30/EU**Noise immunity test in accordance with EN 61000-6-2**

Electrostatic discharge (ESD) EN 61000-4-2/ IEC 61000-4-2	Criterion B, 4 kV contact discharge, 8 kV air discharge
Electromagnetic fields EN 61000-4-3/IEC 61000-4-3	Criterion A, field strength: 3 V/m
Fast transients (burst) EN 61000-4-4/IEC 61000-4-4	Criterion B, ± 0.5 kV
Conducted interference EN 61000-4-6/IEC 61000-4-6	Criterion A, test voltage 3 V
Radio interference properties EN 55015	Class B

Approvals

For the latest approvals, please visit phoenixcontact.net/products.

5 Illuminance distribution

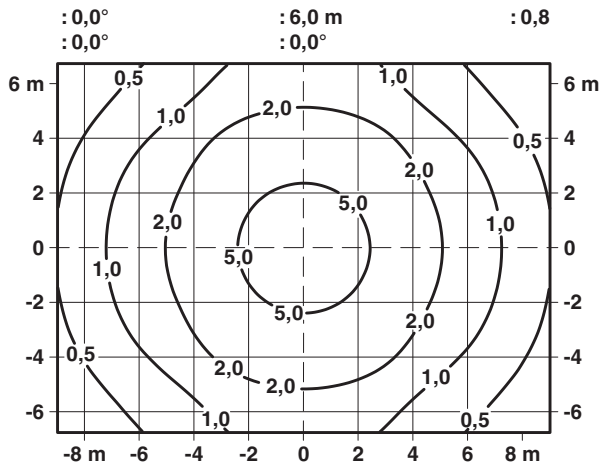


Figure 1 Illuminance distribution (Distance d = 1 m)

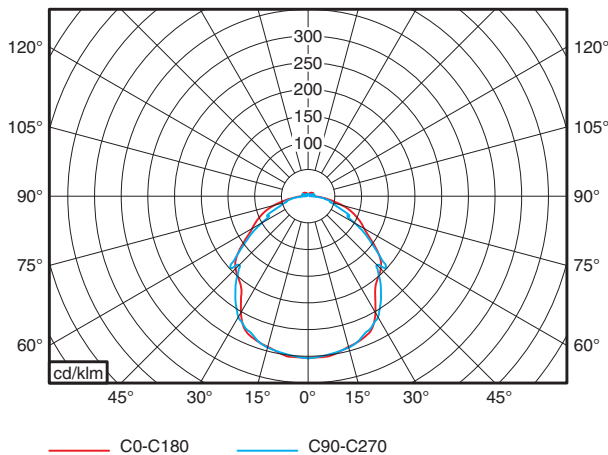


Figure 2 Luminous intensity distribution (LID)

6 Safety notes



WARNING: Explosion hazard

- Do not install and operate the light in potentially explosive spaces!



WARNING: danger of electric shock

- Electrical work may only be performed by qualified electricians.
- Disconnect the light from the power supply before carrying out any work on the light!



CAUTION: Danger of injury due to heat generation

The LED light can become hot during operation. Touching the LED light while hot may result in burns.

- Make sure the device is sufficiently cooled down before handling!



CAUTION: Impaired vision

Looking directly at the light source can lead to temporarily limited vision and after-images. This can lead to irritation, nuisances, adverse effects, and accidents.

- Do not look at the light source!
- Position the light so as to avoid looking directly into the light source!



NOTE: Damage

The LED light is designed for a voltage range of 100 V AC ... 250 V AC and must not be operated at a higher voltage under any circumstances.



The light source in this light is not replaceable; once the light source has reached the end of its service life, the entire light is to be replaced.



A maximum of 30 lights can be connected in series.

7 Dimensions and drill hole spacing (in mm)

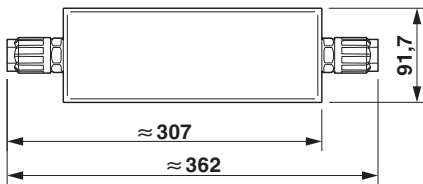
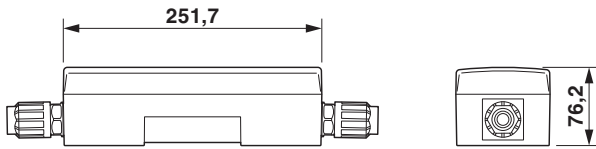


Figure 3 Dimensions

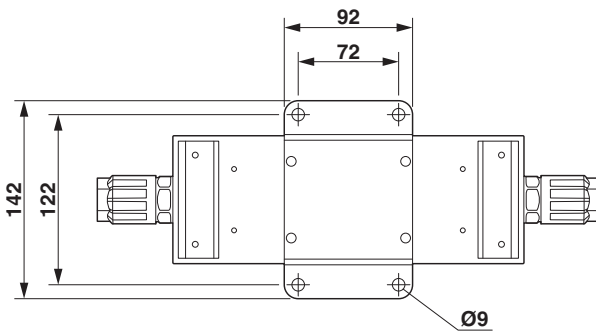
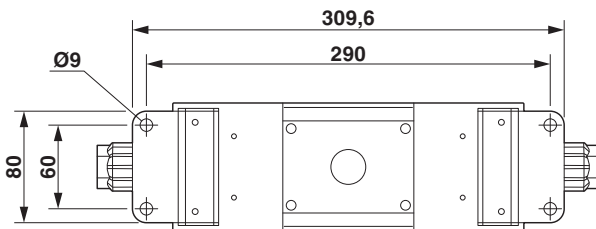


Figure 4 Drill hole spacing



8 Mount light

- Mount the light as specified in the package slip.
- Please also pay particular attention to the assembly instructions in the package slip for the QUICKON installation system.

9 Pin assignment

Pin	Assignment
L1	L1
N	N
PE	PE
L2	Wired through
L3	Wired through

10 Internal circuit diagram

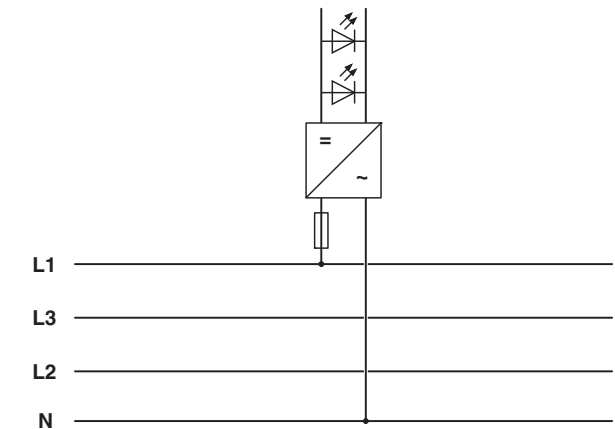


Figure 5 Basic circuit diagram