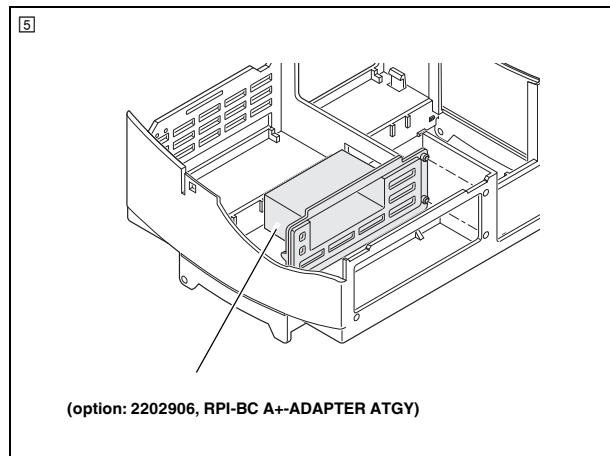
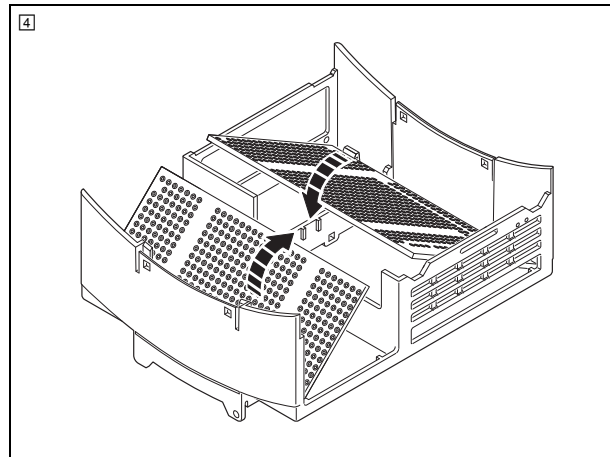
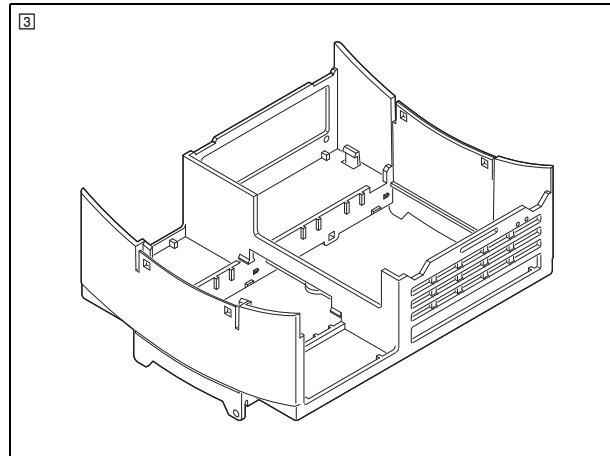


- 1 BC 107,6 DKL R KMGY (Not removable!)
(option: 2896131, BC 107,6 DKL S TRANS (Removable))
- 2 RPI-BC 107,6 DEV-KIT KMGY P10
- 3 (option: 2202995, RPI-BC EXT-PCB HBUS SET)
- 4 (option: 2202994, RPI-BC INT-PCB SET)
- 5 Raspberry Pi Board (not included)
- 6 RPI-BC 107,6 UT HBUS KMGY
(option: 2896270, RPI-BC 107,6 UT HBUS BK)
- 7 (option: 2202876, HBUS 107,6-16P-1S BK P1)

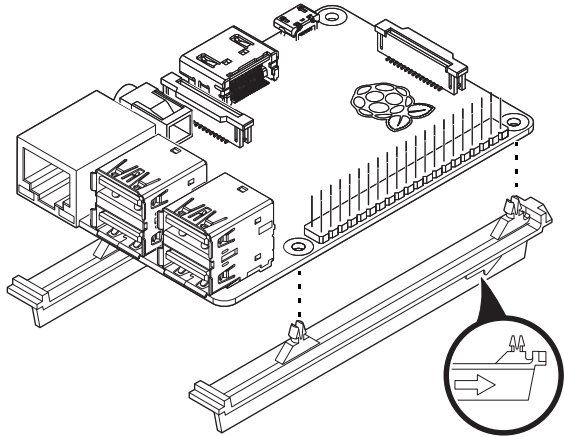


(option: 2202906, RPI-BC A+-ADAPTER ATGY)



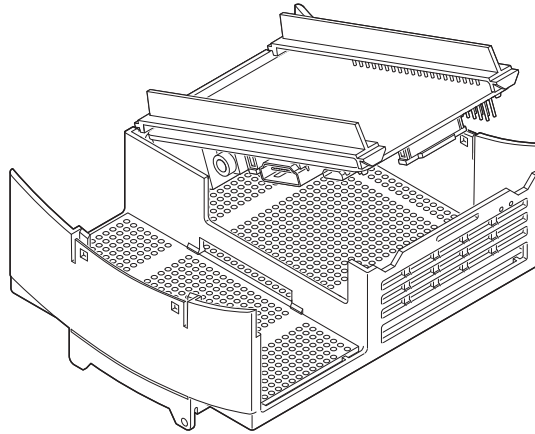
- Beachten Sie auch die Angaben im Datenblatt unter phoenixcontact.net/qr/2202874.
- Also observe the specifications in the data sheet at phoenixcontact.net/qr/2202874.
- Tenir également compte des indications figurant dans la fiche technique sous phoenixcontact.net/qr/2202874.
- Osservare anche le indicazioni fornite nella scheda tecnica disponibile nel sito phoenixcontact.net/qr/2202874.
- Observe asimismo las especificaciones de la hoja de características que hallará en phoenixcontact.net/qr/2202874.
- Observe também as informações contidas na ficha técnica em phoenixcontact.net/qr/2202874.
- phoenixcontact.net/qr/2202874 adresindeki veri sayfasında verilen teknik özelliklere de dikkat edin.
- Также соблюдать требования технического паспорта на сайте phoenixcontact.net/qr/2202874.

6

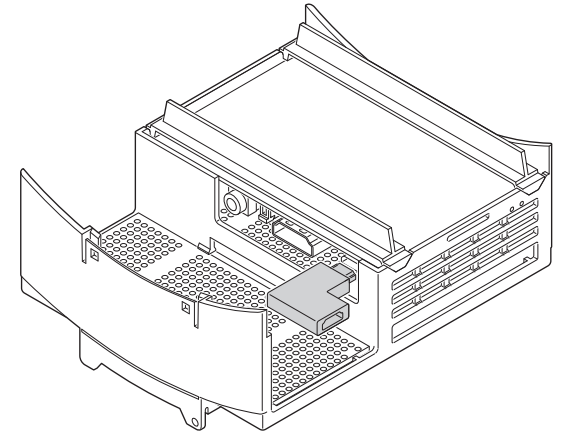


(→ 7)

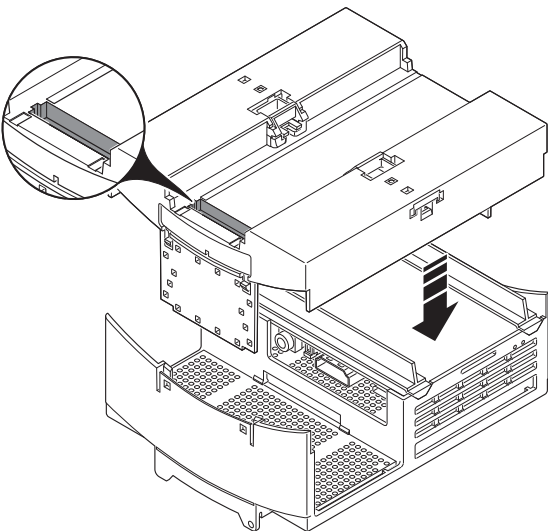
7





8

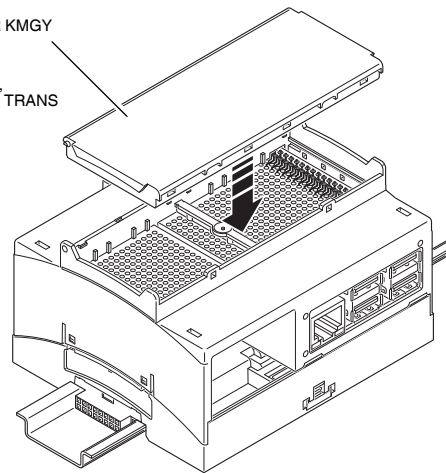


9



10

-  BC 107,6 DKL R KMGY
-  option: 2896131,
BC 107,6 DKL S TRANS



11

