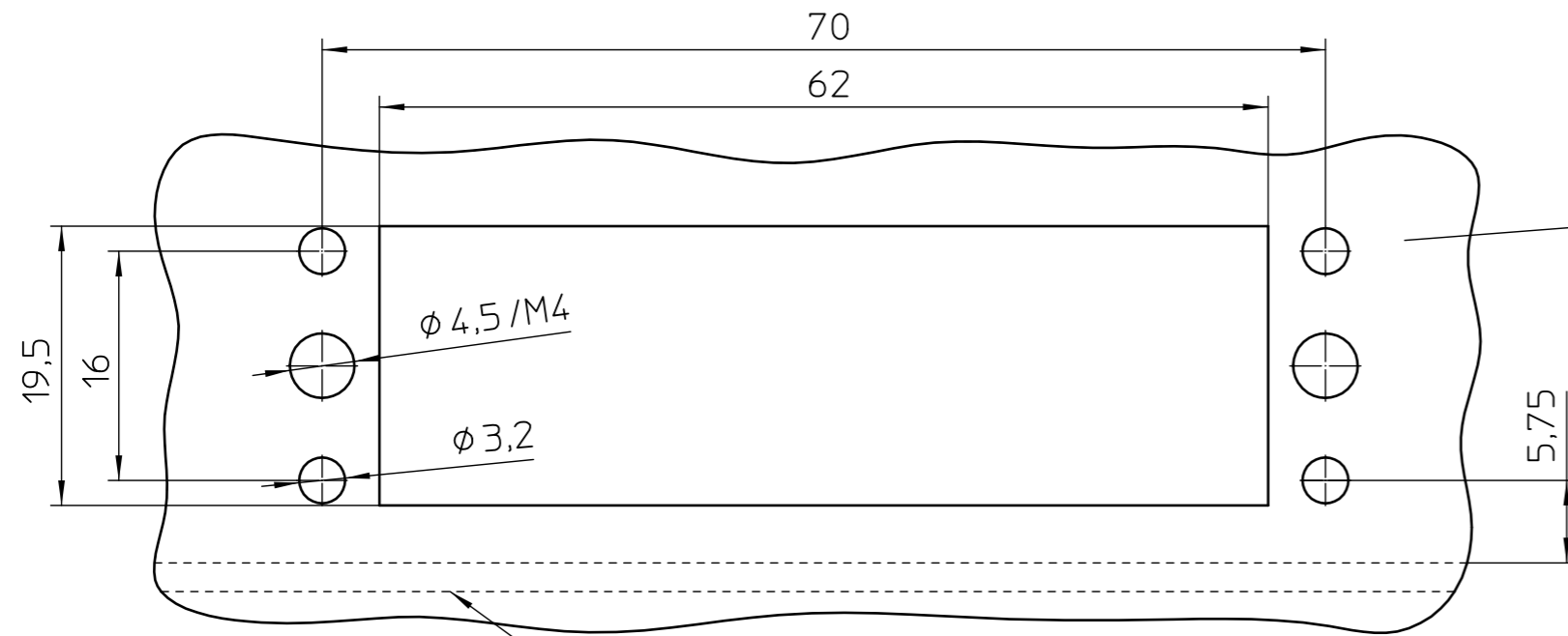
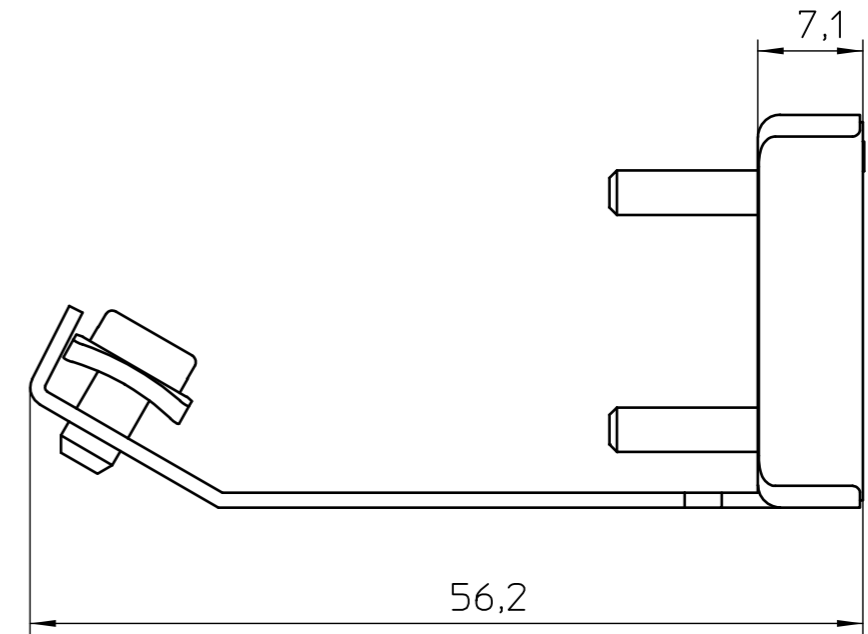
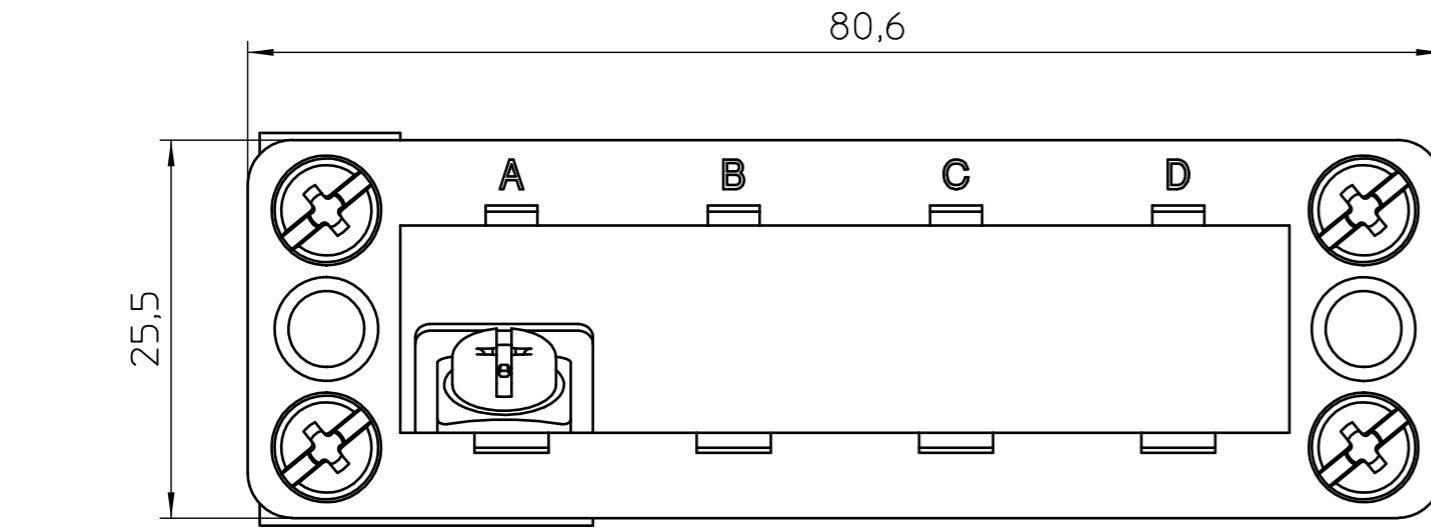


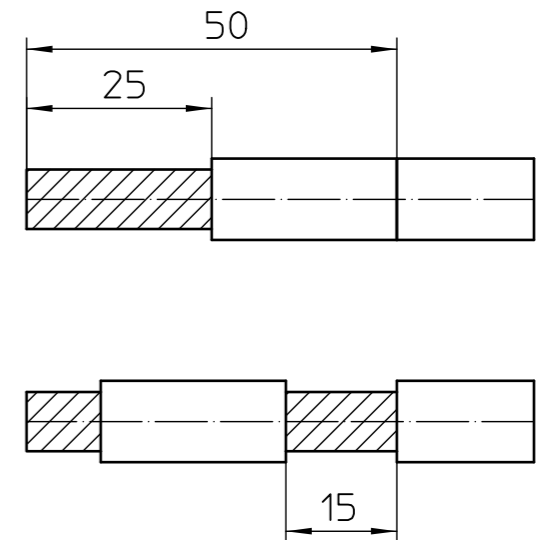
Transfer or duplication of this document as well as the utilisation or communication of its content are not permitted unless express consent is granted. Violations give rise to claims for damages. All rights reserved in case of patent, utility model or design patent registrations.

Weitergabe sowie Vervielfältigung dieses Dokuments, Verwertung und Mitteilung seines Inhalts sind verboten, soweit nicht ausdrücklich gestattet. Zuwiderhandlungen verpflichten zu Schadenersatz. Alle Rechte für den Fall der Patent-, Gebrauchsmuster- oder Designeintragung vorbehalten.



cabinet wall thickness 2-3,5mm

curcuit board when 90° contact insert is used



Installation note:

The frame has a PE sheet with a PE connection.

Strip the PE conductor 20 mm and slit the insulation over a length of 50 mm.

Push the slit insulation forward by 15 mm.

Connect the PE contact of the module and clamp it to the PE metal under the PE screw.

General Information
 - Simplified representation
 - Document excluded from change process
 - Linear dimensions [mm]

	document-No. / Rl	date	scale
	01048956 / 00	03.11.2017	2:1
	document-type	description	
	TECDOC 2D_Productfamily	VC-AR3/4M-PEA	
page 1	of 1		