

# EM-CP-PP-ETH - AC charging controller



2902802

<https://www.phoenixcontact.com/pc/products/2902802>

Please be informed that the data shown in this PDF document is generated from our online catalog. Please find the complete data in the user documentation. Our general terms of use for downloads are valid.



EV charge control is used to charge electrical vehicles on the 3-phase AC mains power supply according to IEC 61851-1 Mode 3. All necessary control functions are integrated. Additional functions are available for various charging applications.

## Commercial data

Item number	2902802
Packing unit	1 pc
Minimum order quantity	1 pc
Product key	XWBRBA
GTIN	4046356681032
Weight per piece (including packing)	322.8 g
Weight per piece (excluding packing)	260 g
Customs tariff number	85371098
Country of origin	DE

## Technical data

### Product properties

Product type	AC charging controller
Product family	CHARX control advanced
Charging standard	Type 2
Charging mode	Mode 3, Case B + C
Operating mode	Stand-Alone
	Client
Modem for communication present	no
Number of charging points	1

### Electrical properties

Type of charging current	AC 3-phase
--------------------------	------------

#### Supply

Supply voltage	230 V
Supply voltage range	110 V AC ... 240 V AC (nominal voltage range)
	95 V AC ... 264 V AC
Current consumption	max. 40 mA
Nominal power consumption	< 1 W (No-load)
Frequency range	45 Hz ... 65 Hz

### Input data

#### Digital

Number of digital inputs	4
Frequency range	50 Hz ... 60 Hz
Nominal current $I_N$	$\leq 8$ mA
Nominal input voltage $U_N$	24 V
Input voltage range U1	-3 V ... 5 V (Off)
Input voltage range U2	15 V ... 30 V (On)

### Output data

#### Digital

Output name	4 digital outputs
Connection technology	Screw connection
Maximum output voltage	30 V
Maximum output current	0.2 A (Total current for all outputs; internally supplied)
Maximum output current per channel	0.6 A (Per output; externally supplied)

#### Digital

Output name	Relay output $V_{1,2}$
Maximum switching voltage	250 V AC

# EM-CP-PP-ETH - AC charging controller



2902802

<https://www.phoenixcontact.com/pc/products/2902802>

Max. switching current	2 A
------------------------	-----

## Switching

Output name	Relay output C <sub>1,2</sub>
Minimum switching power	1500 VA
Maximum switching voltage	250 V AC (External supply)
Max. switching current	2 A

## Switching

Output name	Relay output R <sub>1,3</sub> and R <sub>2,4</sub>
Minimum switching power	180 VA
Maximum switching voltage	30 V AC/DC (External supply)
Max. switching current	2 A

## Connection data

### Screw connection

Conductor cross-section rigid	0.2 mm <sup>2</sup> ... 4 mm <sup>2</sup>
Conductor cross-section flexible	0.2 mm <sup>2</sup> ... 2.5 mm <sup>2</sup>
Conductor cross-section AWG	24 ... 12

## Interfaces

Interface	Ethernet (1x)
-----------	---------------

### RS-485

Interface	RS-485 2-wire
Bus system	RS-485
Connection method	Screw connection
Number of interfaces	1
Number of supported devices	1
Transmission speed range	2.4 kbps ... 19.2 kbps (adjustable)

### Ethernet

Interface	Ethernet
Bus system	RJ45
Connection method	RJ45 jack
Number of interfaces	1
Serial transmission speed	10/100 Mbps
Transmission length	max. 100 m (with shielded, twisted-pair data cable)
Protocols supported	Modbus/TCP
Locking release in the event of mains failure	With EM-EV-CLR-12V locking release module (Item No. 2903246) as an option

## Dimensions

### Charging controller

Width	71.6 mm
-------	---------

# EM-CP-PP-ETH - AC charging controller



2902802

<https://www.phoenixcontact.com/pc/products/2902802>

Height	90 mm
Depth	61 mm

## Environmental and real-life conditions

### Ambient conditions

Degree of protection (Module)	IP20
Ambient temperature (operation)	-25 °C ... 60 °C
Ambient temperature (storage/transport)	-40 °C ... 85 °C
Permissible humidity (operation)	30 % ... 95 % (non-condensing)

## EMC data

Electromagnetic compatibility	Conformance with EMC Directive 2004/108/EC
Low Voltage Directive	Conformance with LV directive 2006/95/EC
Noise immunity	EN 61000-6-2
Housing	DIN 43880

### Noise emission

Standards/regulations	EN 61000-6-3
-----------------------	--------------

## Standards and regulations

### Standards

Standards/regulations	IEC 61851-1
-----------------------	-------------

## Mounting

Mounting type	DIN rail mounting
Mounting position	any

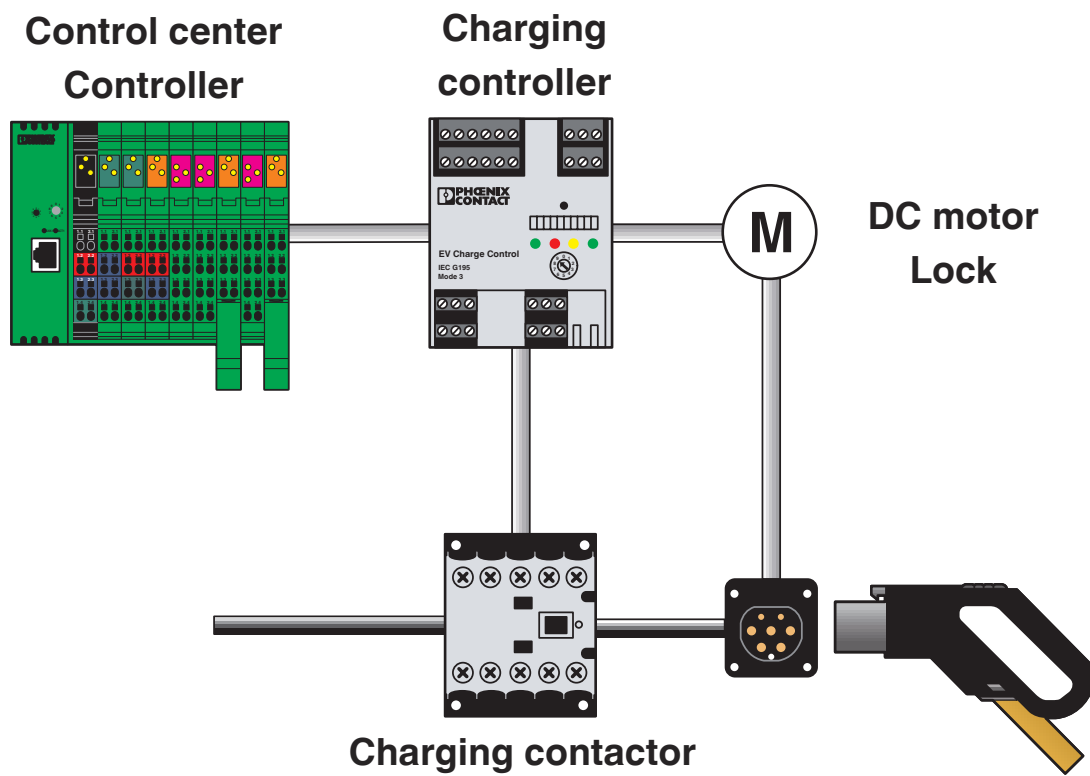
# EM-CP-PP-ETH - AC charging controller

2902802

<https://www.phoenixcontact.com/pc/products/2902802>

## Drawings

### Application drawing



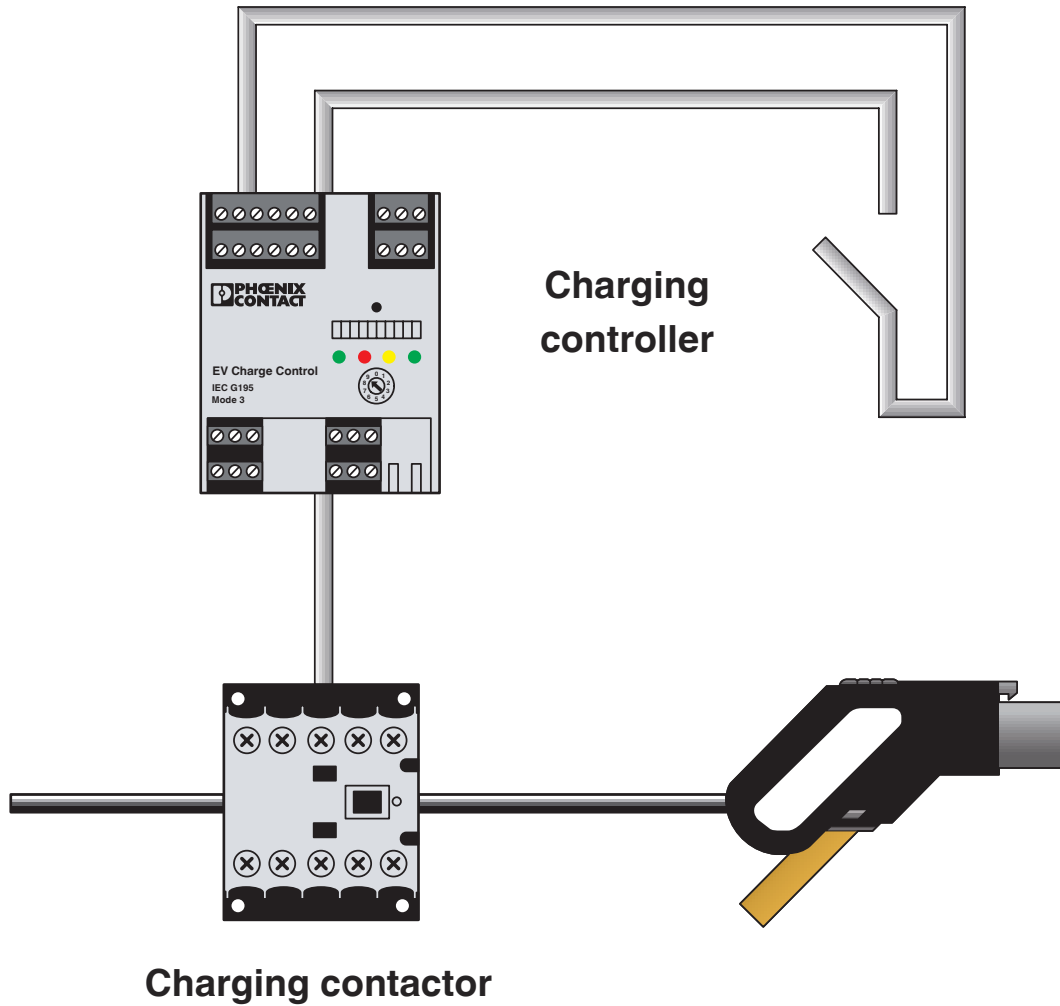
EV Charge Control interacting with a central controller

# EM-CP-PP-ETH - AC charging controller

2902802

<https://www.phoenixcontact.com/pc/products/2902802>

Application drawing



Simple charging point with permanently connected cable

# EM-CP-PP-ETH - AC charging controller



2902802

<https://www.phoenixcontact.com/pc/products/2902802>

## Classifications

### ECLASS

ECLASS-13.0	27144703
ECLASS-15.0	27144703

### ETIM

ETIM 10.0	EC002889
-----------	----------

### UNSPSC

UNSPSC 21.0	39121800
-------------	----------

# EM-CP-PP-ETH - AC charging controller



2902802

<https://www.phoenixcontact.com/pc/products/2902802>

## Environmental product compliance

### EU RoHS

Fulfills EU RoHS substance requirements	Yes, No exemptions
---	--------------------

### China RoHS

Environment friendly use period (EFUP)	EFUP-E
	No hazardous substances above the limits

### EU REACH SVHC

REACH candidate substance (CAS No.)	No substance above 0.1 wt%
-------------------------------------	----------------------------

Phoenix Contact 2026 © - all rights reserved  
<https://www.phoenixcontact.com>

PHOENIX CONTACT GmbH & Co. KG  
Flachmarktstraße 8  
D-32825 Blomberg  
+49 (0) 5235-3 00  
[info@phoenixcontact.com](mailto:info@phoenixcontact.com)